



CE6250 – Dual COFDM demodulator with PID filters

Data Sheet

May 16, 2008

Revision 0,7

Subject to change without notice

Document number: D79558-007

Legal Statements

INFORMATION IN THIS DOCUMENT IS PROVIDED IN CONNECTION WITH INTEL PRODUCTS. NO LICENSE, EXPRESS OR IMPLIED, BY ESTOPPEL OR OTHERWISE, TO ANY INTELLECTUAL PROPERTY RIGHTS IS GRANTED BY THIS DOCUMENT. EXCEPT AS PROVIDED IN INTEL'S TERMS AND CONDITIONS OF SALE FOR SUCH PRODUCTS, INTEL ASSUMES NO LIABILITY WHATSOEVER, AND INTEL DISCLAIMS ANY EXPRESS OR IMPLIED WARRANTY, RELATING TO SALE AND/OR USE OF INTEL PRODUCTS INCLUDING LIABILITY OR WARRANTIES RELATING TO FITNESS FOR A PARTICULAR PURPOSE, MERCHANTABILITY, OR INFRINGEMENT OF ANY PATENT, COPYRIGHT OR OTHER INTELLECTUAL PROPERTY RIGHT.

Intel products are not intended for use in medical, life saving, life sustaining applications.

Intel may make changes to specifications and product descriptions at any time, without notice.

Designers must not rely on the absence or characteristics of any features or instructions marked "reserved" or "undefined." Intel reserves these for future definition and shall have no responsibility whatsoever for conflicts or incompatibilities arising from future changes to them.

This manual may contain design defects or errors known as errata, which may cause the product to deviate from published specifications. Current characterized errata are available on request.

This manual as well as the software described in it, is furnished under license and may only be used or copied in accordance with the terms of the license. The information in this document is furnished for informational use only, is subject to change without notice, and should not be construed as a commitment by Intel Corporation. Intel Corporation assumes no responsibility or liability for any errors or inaccuracies that may appear in this document or any software that may be provided in association with this document.

Except as permitted by such license, no part of this document may be reproduced, stored in a retrieval system, or transmitted in any form or by any means without the express written consent of Intel Corporation.

Contact your local Intel sales office or your distributor to obtain the latest specifications and before placing your product order.

Copies of documents which have an ordering number and are referenced in this document, or other Intel literature may be obtained by calling 1-800-548-4725 or by visiting Intel's website at <http://www.intel.com>.

BunnyPeople, Celeron, Celeron Inside, Centrino, Centrino logo, Chips, Core Inside, Dialogic, EtherExpress, ETOX, FlashFile, i386, i486, i960, iCOMP, InstantIP, Intel, Intel logo, Intel386, Intel486, Intel740, IntelDX2, IntelDX4, IntelSX2, Intel Core, Intel Inside, Intel Inside logo, Intel. Leap ahead., Intel. Leap ahead. logo, Intel NetBurst, Intel NetMerge, Intel NetStructure, Intel SingleDriver, Intel SpeedStep, Intel StrataFlash, Intel Viiv, Intel XScale, IPLink, Itanium, Itanium Inside, MCS, MMX, MMX logo, Optimizer logo, OverDrive, Paragon, PDCharm, Pentium, Pentium II Xeon, Pentium III Xeon, Performance at Your Command, Pentium Inside, skool, Sound Mark, The Computer Inside., The Journey Inside, VTune, Xeon, Xeon Inside and Xircom are trademarks or registered trademarks of Intel Corporation or its subsidiaries in the United States and other countries.

MPEG is an international standard for video compression/decompression promoted by ISO. Implementations of MPEG CODECs, or MPEG enabled platforms may require licenses from various entities, including Intel Corporation.

*Other names and brands may be claimed as the property of others.

Copyright © 2007, Intel Corporation

Contents

1	Introduction	7
1.1	Related Documents	7
2	System	8
2.1	Features.....	8
2.2	Application	9
3	Package Information	10
3.1	Thermal.....	10
3.2	Package Pin Out.....	10
3.2.1	Ordering Information	11
3.3	Pin definitions	12
4	Demodulator Functional Description	14
4.1	Analogue-to-Digital Converter	15
4.2	Automatic Gain Control	16
4.3	IF to Baseband Conversion	16
4.4	Adjacent Channel Filtering	16
4.5	Interpolation and Clock Synchronisation	16
4.6	Carrier Frequency Synchronisation	16
4.7	Symbol Timing Synchronisation	17
4.8	Fast Fourier Transform.....	17
4.9	Common Phase Error Correction	17
4.10	Channel Equalisation	17
4.11	Impulse Filtering.....	17
4.12	Transmission Parameter Signalling (TPS).....	17
4.13	De-Mapper	18
4.14	Symbol and Bit De-Interleaving	18
4.15	Viterbi Decoder	18
4.16	MPEG Frame Aligner	18
4.17	De-interleaver.....	19
4.18	Reed-Solomon Decoder	19
4.19	De-scrambler.....	19
4.20	MPEG Transport Stream Interface and PID filters.....	20
4.21	PID Filter	21
5	Electrical characteristics	22
5.1.1	Recommended Operating Conditions	22

5.1.2	Absolute Maximum Ratings.....	22
5.1.3	DC Electrical Characteristics.....	23
5.1.4	Crystal specification	23
6	Dynamic characteristics	24
7	Mechanical.....	25
7.1.1	Package Dimensions.....	25

List of Figures

Figure 1	Dual DVB-T receiver module.....	9
Figure 2	Block diagram	9
Figure 3	80-Pin QFP Package Diagram	11
Figure 4	OFDM demodulator diagram	14
Figure 5	FEC block diagram	15
Figure 6	TS output control.....	20

List of Tables

Table 1.1	Document References	7
Table 3.1	Thermal.....	10
Table 3.2	Package Pin List	10
Table 5.1	Recommended operating conditions	22
Table 5.2	Absolute maximum ratings.....	22
Table 5.3	DC electrical characteristics.....	23
Table 6.1	Digital input bus timing.....	24

Abbreviations and symbols

ACRONYM	Description
ACI	Adjacent Channel Interferer
ACQ	Acquisition
ADC	Analog to Digital Converter
AGC	Automatic Gain Control
BA	Byte Align(er)
BCH	Bose, Chaudhuri & Hocquenghem (coding scheme applied to TPS data)
BDI	Bit Deinterleave
BER	Bit Error Ratio
CAS	Co and Adjacent channel interference suppression
CCI	Co-Channel Interferer
CHC	Channel Corrector
COFDM	Coded Orthogonal Frequency Division Multiplexing
CP	Continuous Pilot
CPE	Common Phase Error
CRL	Carrier recovery loop
CSI	Channel State Information
CSR	Control and Status Registers
DMP	Symbol Demapper
DVB	Digital Video Broadcasting
ETSI	European Telecommunications Standards Institute
FEC	Forward Error Correction
FFT	Fast Fourier Transform
FSM	Finite State Machine
ITB	IF to Baseband Conversion
ITP	Digital interpolator
PID	Packet Identifier
PPM	Pilot Processing Module
SCR	Slope corrector
SDI	Symbol Deinterleave
SP	Scattered pilot
SYR	Symbol timing recovery
TPS	Transmission Parameter Signalling
TRL	Timing Recovery Loop
TS	Transport Stream
TWB	2-Wire Bus
UPIF	Micro-Processor interface
UBC	Uncorrectable Block Count

Revision History

Date	Revision	Reference #	Description
17 November 2006	0.1		Original
17 November 2006	0.2		Corrected error with crystal frequency
17 November 2006	0.3		Reset period set to TBD
31 January 2007	0.4		Removed reference to USB 1.1 in feature list
02 February 2007	0.5		Removed reference to diversity
19 April 2007	0.6		Minor corrections
16 May 2008	0.7		Updated TS output control

1 Introduction

1.1 Related Documents

Table 1.1 Document References

Title	Number	Location
DVB Framing structure, Channel coding and modulation for digital terrestrial television, EN300 744 v1.4.1		
NorDig Unified Requirements for profiles Basic TV, Enhanced, Interactive and Internet for Digital Integrated Receiver Decoders for use in cable, satellite, terrestrial and IP-based networks, version 1.0.2		http://www.nordig.org/
CE6353 DVB-T Demodulator Design Manual – April 2006	D56169-002	Intel® CE 6353 DVB-T Demodulator - Overview

2 System

2.1 Features

Dual Channel DVB-T Demodulator optimised for:

Watch and Record applications

Dual Parallel/serial MPEG stream output

Optional PID Filtered transport stream multiplexing to one MPEG port

Nordig Unified and ETSI 300 744 compliant

Superior Single Frequency Network performance

Unique active impulse-noise filtering

Single SAW operation on 6, 7 & 8 MHz OFDM

RF level detect ADC on-chip to indicate signal power for each channel

Excellent performance with any echo profile: pre, post, inside or outside the guard interval

Automatic co-channel and adjacent-channel interference suppression

Fast AGC and good Doppler performance for portable applications

Large frequency capture range to enable channel acquisition with triple offsets

IF sampling at 36.17, 43.5 or 5 - 10 MHz from a single crystal frequency

Channel bandwidth of 6, 7 & 8 MHz

Blind acquisition capability (including 2K/8K mode detect)

Automatic spectral inversion detection

Fast auto-scan and acquisition technology

Very low software overhead

Access to channel SNR, pre- and post-Viterbi bit error rates

On-chip PLL clock generation using a single 20.48MHz crystal

Hardware MPEG2 PID filters (enables low bandwidth operation, can be turned off)

8 general purpose ports, 2 dedicated and 6 shared function

3.3/1.2V operation

80 pin LQFP

Low external component count

Industrial Temperature range -10 to 80°C

Evaluation board and comprehensive software

Full front end (NIM) reference design available

Applications

Terrestrial PC applications

Digital terrestrial TV set-top boxes

Digital terrestrial integrated televisions

Portable TV receivers

2.2 Application

The CE6250 is designed to be used in a low-cost DVB-T receiver module. The system is shown in Figure 1.

Figure 1 Dual DVB-T receiver module

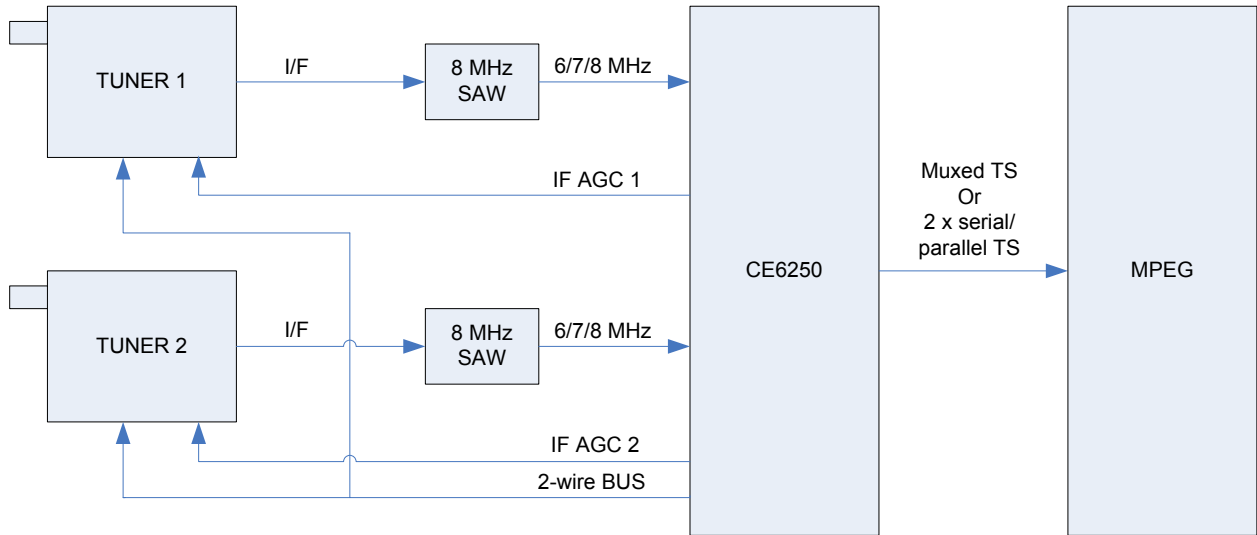
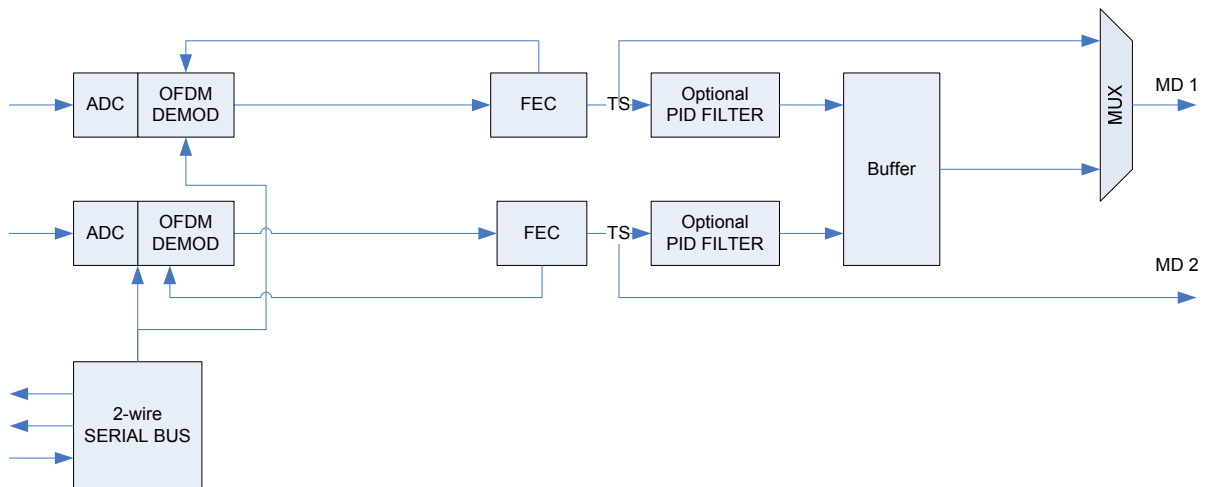


Figure 2 Block diagram



3 Package Information

3.1 Thermal

Table 3.1 Thermal

Parameter	Minimum	Maximum
Ambient Operating temperature Range	-10°C	80°C
Storage Temperature	-55°C	150°C
Maximum junction temperature T_{jmax}		125°C
R _{ja} - Theta-JA (θJA), Still Air ¹		38°C /W

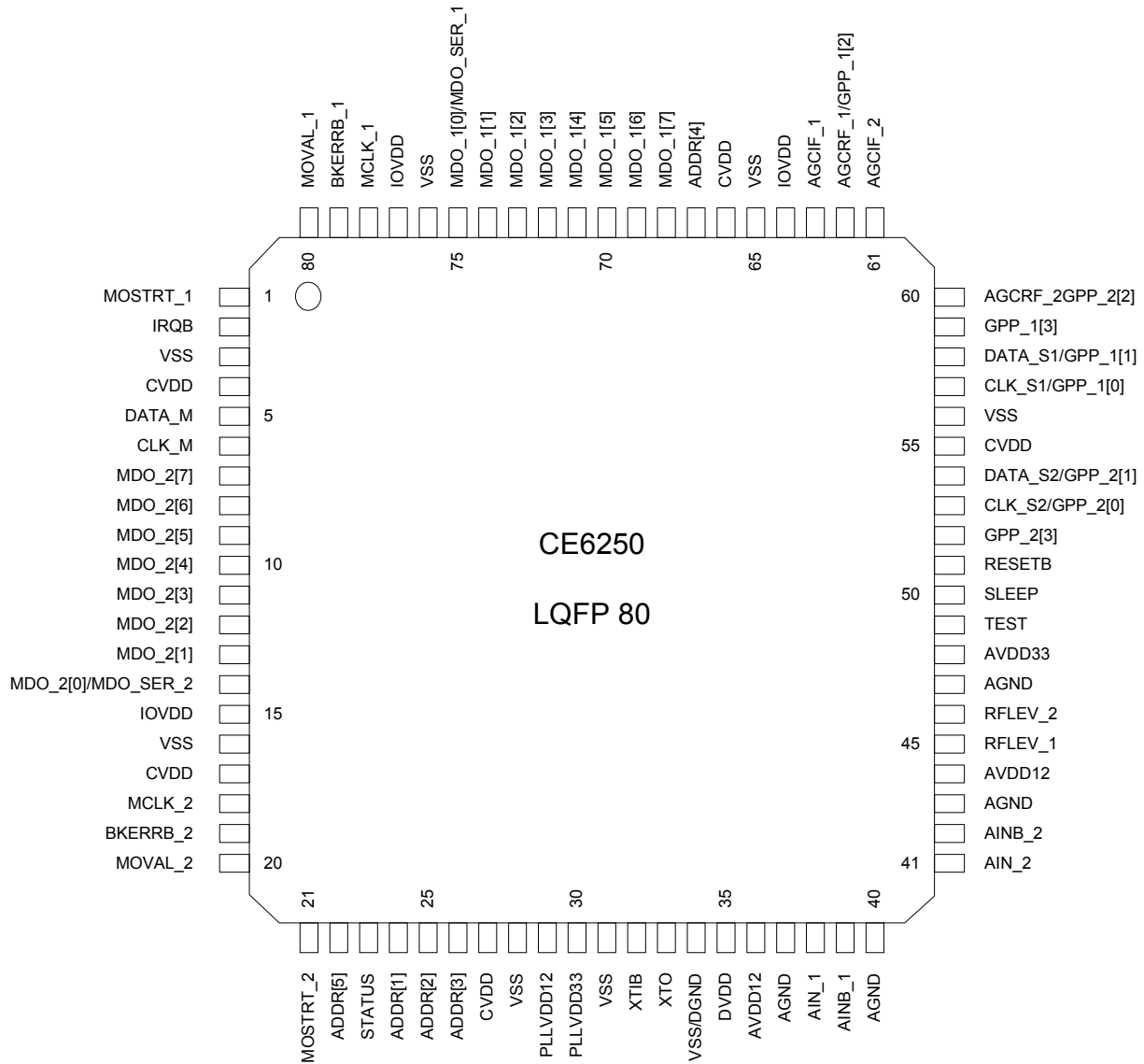
[1] Theta-JA (θJA) is the junction-to-ambient thermal resistance, when the package is mounted on a four-layer JEDEC standard test board with no airflow and dissipating maximum power.

3.2 Package Pin Out

Table 3.2 Package Pin List

PIN	FUNCTION	PIN	FUNCTION	PIN	FUNCTION	PIN	FUNCTION
1	MOSTRT_1	21	MOSTRT_2	41	AIN_2	61	AGCIF_2
2	IRQB	22	ADDR[[5]	42	AINB_2	62	AGCRF_1/ GPP_1[2]
3	VSS	23	STATUS	43	AGND	63	AGCIF_1
4	CVDD	24	ADDR[1]	44	AVDD12	64	IOVDD
5	DATA_M	25	ADDR[2]	45	RFLEV_1	65	VSS
6	CLK_M	26	ADDR[3]	46	RFLEV_2	66	CVDD
7	MDO_2[7]	27	CVDD	47	AGND	67	ADDR[4]
8	MDO_2[6]	28	VSS	48	AVDD33	68	MDO_1[7]
9	MDO_2[5]	29	PLLVD12	49	TEST	69	MDO_1[6]
10	MDO_2[4]	30	PLLVD33	50	SLEEP	70	MDO_1[5]
11	MDO_2[3]	31	VSS	51	RESETB	71	MDO_1[4]
12	MDO_2[2]	32	XTIB	52	GPP2[3]	72	MDO_1[3]
13	MDO_2[1]	33	XTO	53	CLK_S2/ GPP_2[0]	73	MDO_1[2]
14	MDO_2[0]/ MDO_SER_2	34	VSS/DGND	54	DATA_S2/ GPP_2[1]	74	MDO_1[1]
15	IOVDD	35	DVDD	55	CVDD	75	MDO_1[0]/ MDO_SER_1
16	VSS	36	AVDD12	56	VSS	76	VSS
17	CVDD	37	AGND	57	CLK_S1/ GPP_1[0]	77	IOVDD
18	MCLK_2	38	AIN_1	58	DATA_S1/ GPP_1[1]	78	MCLK_1
19	BKERRB_2	39	AINB_1	59	GPP_1[3]	79	BKERRB_1
20	MOVAL_2	40	AGND	60	AGCRF_2/ GPP_2[2]	80	MOVAL_1

Figure 3 80-Pin QFP Package Diagram



3.2.1 Ordering Information

WJCE6250 888093	80 Pin LQFP*	Trays
-----------------	--------------	-------

*. Pb Free Matte Tin

3.3 Pin definitions

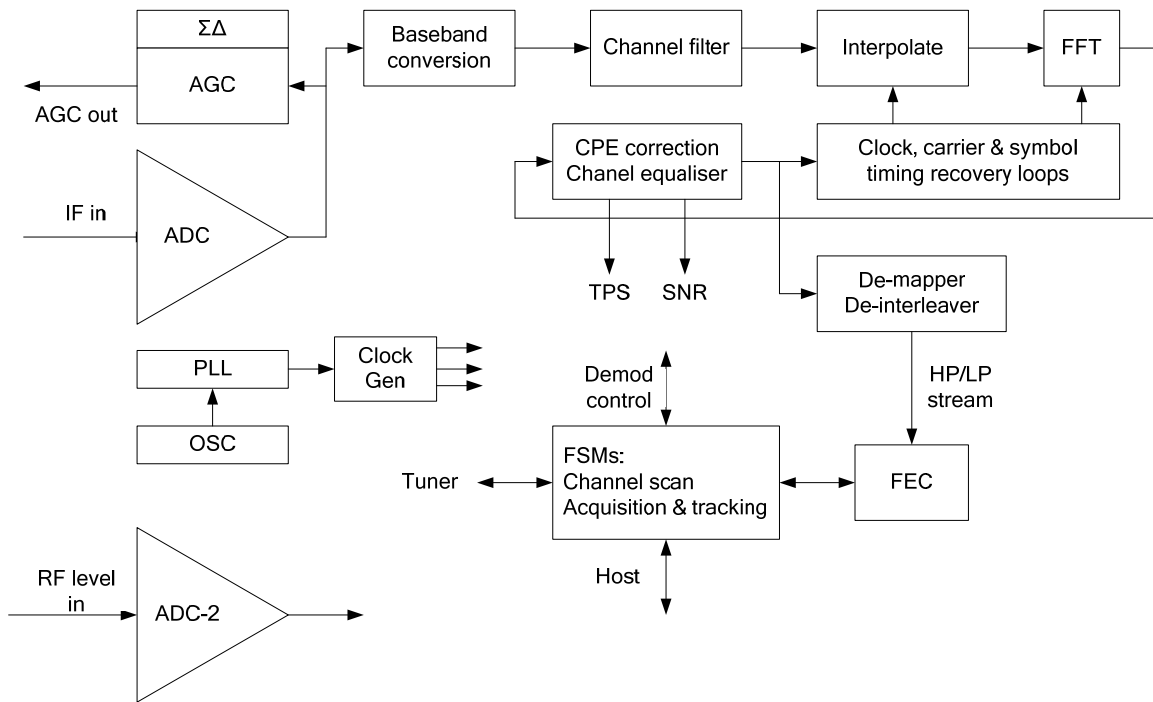
Pin	Name	Pin description	I/O	Note	V	mA
MPEG output channel 1						
1	MOSTRT_1	MPEG packet start	O	CMOS Tristate	3.3	2
75	MDO_1[0] / MDO_SER_1	MPEG data output/ Serial MPEG data output	O	CMOS Tristate	3.3	2
68, 69, 70, 71, 72, 73, 74	MDO_1[7:1]	MPEG data output	O	CMOS Tristate	3.3	2
78	MCLK_1	MPEG clock output	O	CMOS Tristate	3.3	12
79	BKERRB_1	Block error active low output	O	CMOS Tristate	3.3	2
80	MOVAL_1	MPEG data valid	O	CMOS Tristate	3.3	2
MPEG output channel 2						
21	MOSTRT_2	MPEG packet start	O	CMOS Tristate	3.3	2
14	MDO_2[0]/ MDO_SER_2	MPEG data output/ Serial MPEG data output	O	CMOS Tristate	3.3	2
7, 8, 9, 10, 11, 12, 13	MDO_2[7:1]	MPEG data output	O	CMOS Tristate	3.3	2
18	MCLK_2	MPEG clock output	O	CMOS Tristate	3.3	12
19	BKERRB_2	Block error active low output	O	CMOS Tristate	3.3	2
20	MOVAL_2	MPEG data valid	O	CMOS Tristate	3.3	2
2-wire bus						
6	CLK_M	Master 2-wire bus clock	I/O	CMOS	5	8
5	DATA_M	Master 2-wire bus data	I/O	Open drain	5	8
57	CLK_S1/ GPP1[0]	Serial clock slave output to tuner 1/ General Purpose Port.	I/O	Open drain	5	2
58	DATA_S1/ GPP1[1]	Serial data slave output to tuner 1/ General Purpose Port.	I/O	Open drain	5	2
53	CLK_S2/ GPP2[0]	Serial clock slave output to tuner 2/ General Purpose Port.	I/O	Open drain	5	2
54	DATA_S2/ GPP2[1]	Serial data slave output to tuner 2/ General Purpose Port.	I/O	Open drain	5	2
22, 24, 25, 26, 67	ADDR[5:1]	Serial bus address select input, hardwired to desired value. ADDR[0] = 0, selects channel 1 ADDR[0] = 1, selects channel 2	I	CMOS	3.3	
Crystal						
32	XTIB	Low phase noise oscillator cell. XTIB also used as EXT_CLK input	I	Analog		
33	XTO		I/O	Analog		
GPP's						
59	GPP1[3]	General Purpose Port	I/O	Open drain	5	8
52	GPP2[3]	General Purpose Port	I/O	Open drain	5	8
AGC						
63	AGCIF_1	Channel 1 IF AGC o/p and test input	I/O	Open drain	5	8
62	AGCRF_1/ GPP1[2]	Channel 1 RF AGC o/p or General Purpose Port and test input	I/O	Open drain	5	8
61	AGCIF_2	Channel 2 IF AGC o/p and test input	I/O	Open drain	5	8
60	AGCRF_2/ GPP2[2]	Channel 2 RF AGC o/p or General Purpose Port and test input	I/O	Open drain	5	8
45	RFLEV_1	Tuner 1 RF AGC level input	I	Analog		
46	RFLEV_2	Tuner 2 RF AGC level input	I	Analog		

Pin	Name	Pin description	I/O	Note	V	mA
Control						
50	SLEEP	Complete power down (except ADC)	I	CMOS	5	
51	RESETB	Chip reset active low	I	CMOS	5	
2	IRQB	Interrupt input and test input	I/O	Open drain	5	8
23	STATUS	Status output and test input	I/O	CMOS Tristate	3.3	2
Miscellaneous						
49	TEST	Test pin, should be grounded	I	CMOS	5	
Digital power pins						
29	PLLVD12	PLL, oscillator and clocking supply	S		1.2	
30	PLLVD33	PLL supply	S		3.3	
4, 17, 27, 55, 66	CVDD	Core logic power supply	S		1.2	
3, 16, 28, 31, 56, 65, 76	VSS	Core, PLL and I/O ground	S		0	
34	DGND	ADC digital ground supply	S		0	
35	DVDD	ADC digital power supply	S		1.2	
15, 64, 77	IOVDD	I/O ring power supply	S		3.3	
Analogue pins						
38	AIN_1	ADC positive input	I	Analog		
39	AINB_1	ADC negative input	I	Analog		
41	AIN_2	ADC positive input	I	Analog		
42	AINB_2	ADC negative input	I	Analog		
Analogue power pins						
36, 44	AVDD12	ADC analog supply	S		1.2	
48	AVDD33	ADC analog supply	S		3.3	
37, 40, 43, 47	AGND	ADC analog ground	S		0	

4 Demodulator Functional Description

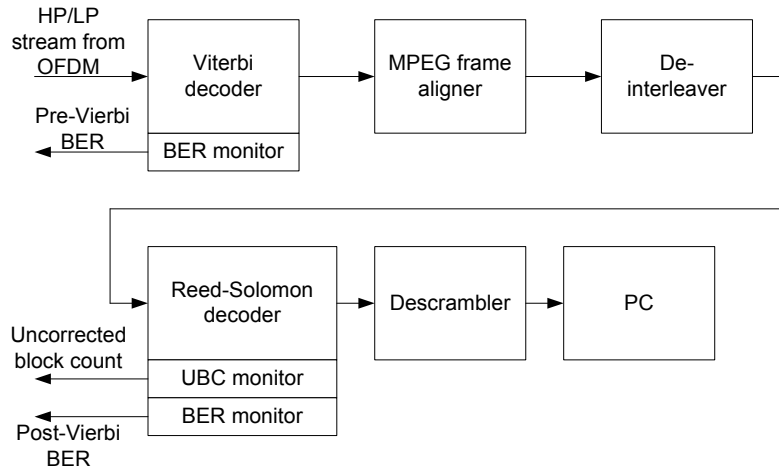
A functional block diagram of the CE6250 OFDM demodulator is shown in Figure 4. This accepts an IF analogue signal and delivers a stream of demodulated soft decision data to the on-chip Viterbi decoder. Clock, timing and frequency synchronization operations are all digital and there are no analogue control loops except the AGC. The frequency capture range is large enough for all practical applications. This demodulator has novel algorithms to combat impulse noise as well as co-channel and adjacent channel interference. If the modulation is hierarchical, the OFDM outputs both high and low priority data streams. Only one of these streams is FEC-decoded, but the FEC can be switched from one stream to another with minimal interruption to the transport stream.

Figure 4 OFDM demodulator diagram



The FEC module shown in Figure 5 consists of a concatenated convolutional (Viterbi) and Reed-Solomon decoder separated by a depth-12 convolutional de-interleaver. The Viterbi decoder operates on 5-bit soft decisions to provide the best performance over a wide range of channel conditions. The trace-back depth of 128 ensures minimum loss of performance due to inevitable survivor truncation, especially at high code rates. Both the Viterbi and Reed-Solomon decoders are equipped with bit-error monitors. The former provides the bit error rate (BER) at the OFDM output. The latter is the more useful measure as it gives the Viterbi output BER. The error collecting intervals of these are programmable over a very wide range.

Figure 5 FEC block diagram



The FSM controller shown in Figure 4 controls both the demodulator and the FEC. The controller facilitates the automated search of all parameters or any sub-set of parameters of the received signal. This mechanism provides the fast channel scan and acquisition performance, whilst requiring minimal software overhead in the host driver.

The algorithms and architectures used in the CE6250 have been optimized to minimize power consumption.

4.1 Analogue-to-Digital Converter

The CE6250 has a high performance 10-bit analogue-to-digital converter (ADC) which can sample a 6, 7 or 8 MHz bandwidth OFDM signal, with its spectrum centred at:

- 36.17 MHz IF
- 43.75 MHz IF
- 5 - 10 MHz near-zero IF

An on-chip programmable phase locked loop (PLL) is used to generate the ADC sampling clock. The PLL is highly programmable allowing a wide choice of sampling frequencies to suit any IF frequency, and all signal bandwidths.

4.2 Automatic Gain Control

An AGC module compares the absolute value of the digitized signal with a programmable reference. The error signal is filtered and is used to control the gain of the amplifier. A sigma-delta modulated output is provided, which has to be RC low-pass filtered to obtain the voltage to control the amplifier.

The bandwidth of the AGC is set to a large value for quick acquisition then reduced to a small value for tracking.

The AGC is free running during OFDM channel changes and locks to the new channel while the tuner lock is being established. This is one of the features of CE6250 used to minimize acquisition time. A robust AGC lock mechanism is provided and the other parts of the CE6250 begin to acquire only after the AGC has locked.

4.3 IF to Baseband Conversion

Sampling a 36.17 MHz IF signal at 45 MHz results in a spectrally inverted OFDM signal centred at approximately 8.9 MHz. The first step of the demodulation process is to convert this signal to a complex (in-phase and quadrature) signal in baseband. A correction for spectral inversion is implemented during this conversion process. Note also that the CE6250 has control mechanisms to search automatically for an unknown spectral inversion status.

4.4 Adjacent Channel Filtering

Adjacent channels, in particular the Nicam digital sound signal associated with analogue channels, are filtered prior to the FFT.

4.5 Interpolation and Clock Synchronisation

CE6250 uses digital timing recovery and this eliminates the need for an external VCXO. The ADC samples the signal at a fixed rate, for example, 45.0 MHz. Conversion of the 45.0 MHz signal to the OFDM sample rate is achieved using the time-varying interpolator. The OFDM sample rate is 64/7 MHz for 8 MHz and this is scaled by factors 6/8 and 7/8 for 6 and 7 MHz channel bandwidths. The nominal ratio of the ADC to OFDM sample rate is programmed in a CE6250 register (defaults are for 45 MHz sampling and 8 MHz OFDM). The clock recovery phase locked loop in the CE6250 compensates for inaccuracies in this ratio due to uncertainties of the frequency of the sampling clock.

4.6 Carrier Frequency Synchronisation

There can be frequency offsets in the signal at the input to OFDM, partly due to tuner step size and partly due to broadcast frequency shifts, typically 1/6 MHz. These are tracked out digitally, up to 1 MHz in 2 K and 8 K modes, without the need for an analogue frequency control (AFC) loop.

The default frequency capture range has been set to ± 286 kHz in the 2 K and 8 K mode. However, these values can be increased, if necessary, by programming an on-chip register (CAPT_RANGE). It is recommended that a larger capture range be used for channel scan in order to find channels with broadcast frequency shifts, without having to adjust the tuner. After the OFDM module has locked (the AFC will have been previously disabled), the frequency offset can be read from an on-chip register.

4.7 Symbol Timing Synchronisation

This module computes the optimum sample position to trigger the FFT in order to eliminate or minimize inter-symbol interference in the presence of multi-path distortion. Furthermore, this trigger point is continuously updated to dynamically adapt to time-variations in the transmission channel.

4.8 Fast Fourier Transform

The FFT module uses the trigger information from the timing synchronization module to set the start point for an FFT. It then uses either a 2 K or 8 K FFT to transform the data from the time domain to the frequency domain. An extremely hardware-efficient and highly accurate algorithm has been used for this purpose.

4.9 Common Phase Error Correction

This module subtracts the common phase offset from all the carriers of the OFDM signal to minimize the effect of the tuner phase noise on system performance.

4.10 Channel Equalisation

This consists of two parts. The first part involves estimating the channel frequency response from pilot information.

Efficient algorithms have been used to track time-varying channels with a minimum of hardware.

The second part involves applying a correction to the data carriers based on the estimated frequency response of the channel. This module also generates dynamic channel state information (CSI) for every carrier in every symbol.

4.11 Impulse Filtering

CE6250 contains several mechanisms to reduce the impact of impulse noise on system performance.

4.12 Transmission Parameter Signalling (TPS)

An OFDM frame consists of 68 symbols and a superframe is made up of four such frames. There is a set of TPS carriers in every symbol and all these carry one bit of TPS. These bits, when combined, include information about the transmission mode, guard ratio, constellation, hierarchy and code rate, as defined in ETS 300 744. In addition, the first eight bits of the cell identifier are contained in even frames and the second eight bits of the cell identifier are in odd frames. The TPS module extracts all the TPS data, and presents these to the host processor in a structured manner.

4.13 De-Mapper

This module generates soft decisions for demodulated bits using the channel-equalized in-phase and quadrature components of the data carriers as well as per-carrier channel state information (CSI). The de-mapping algorithm depends on the constellation (QPSK, 16 QAM or 64 QAM) and the hierarchy ($\alpha = 0, 1, 2$ or 4). Soft decisions for both low- and high-priority data streams are generated.

4.14 Symbol and Bit De-Interleaving

The OFDM transmitter interleaves the bits within each carrier and also the carriers within each symbol. The de-interleaver modules consist largely of memory to invert these interleaving functions and present the soft decisions to the FEC in the original order.

4.15 Viterbi Decoder

The Viterbi decoder accepts the soft decision data from the OFDM demodulator and outputs a decoded bit-stream.

The decoder does the de-puncturing of the input data for all code rates other than 1/2. It then evaluates the branch metrics and passes these to a 64-state path-metric updating unit, which in turn outputs a 64-bit word to the survivor memory. The Viterbi decoded bits are obtained by tracing back the survivor paths in this memory. A trace-back depth of 128 is used to minimize any loss in performance, especially at high code rates. The decoder re-encodes the decoded bits and compares these with received data (delayed) to compute bit errors at its input, on the assumption that the Viterbi output BER is significantly lower than its input BER.

4.16 MPEG Frame Aligner

The Viterbi decoded bit stream is aligned into 204-byte frames. A robust synchronization algorithm is used to ensure correct lock and to prevent loss of lock due to noise impulses.

4.17 De-interleaver

Errors at the Viterbi output occur in bursts and the function of the de-interleaver is to spread these errors over a number of 204-byte frames to give the Reed-Solomon decoder a better chance of correcting these. The de-interleaver is a memory unit which implements the inverse of the convolutional interleaving function introduced by the transmitter.

4.18 Reed-Solomon Decoder

Every 188-byte transport packet is encoded by the transmitter into a 204-byte frame, using a truncated version of a systematic (255,239) Reed-Solomon code. The corresponding (204,188) Reed-Solomon decoder is capable of correcting up to eight byte errors in a 204-byte frame. It may also detect frames with more than eight byte errors.

In addition to efficiently performing this decoding function, the Reed-Solomon decoder in CE6250 keeps a count of the number of bit errors corrected over a programmable period and the number of uncorrectable blocks. This information can be used to compute the post-Viterbi BER.

4.19 De-scrambler

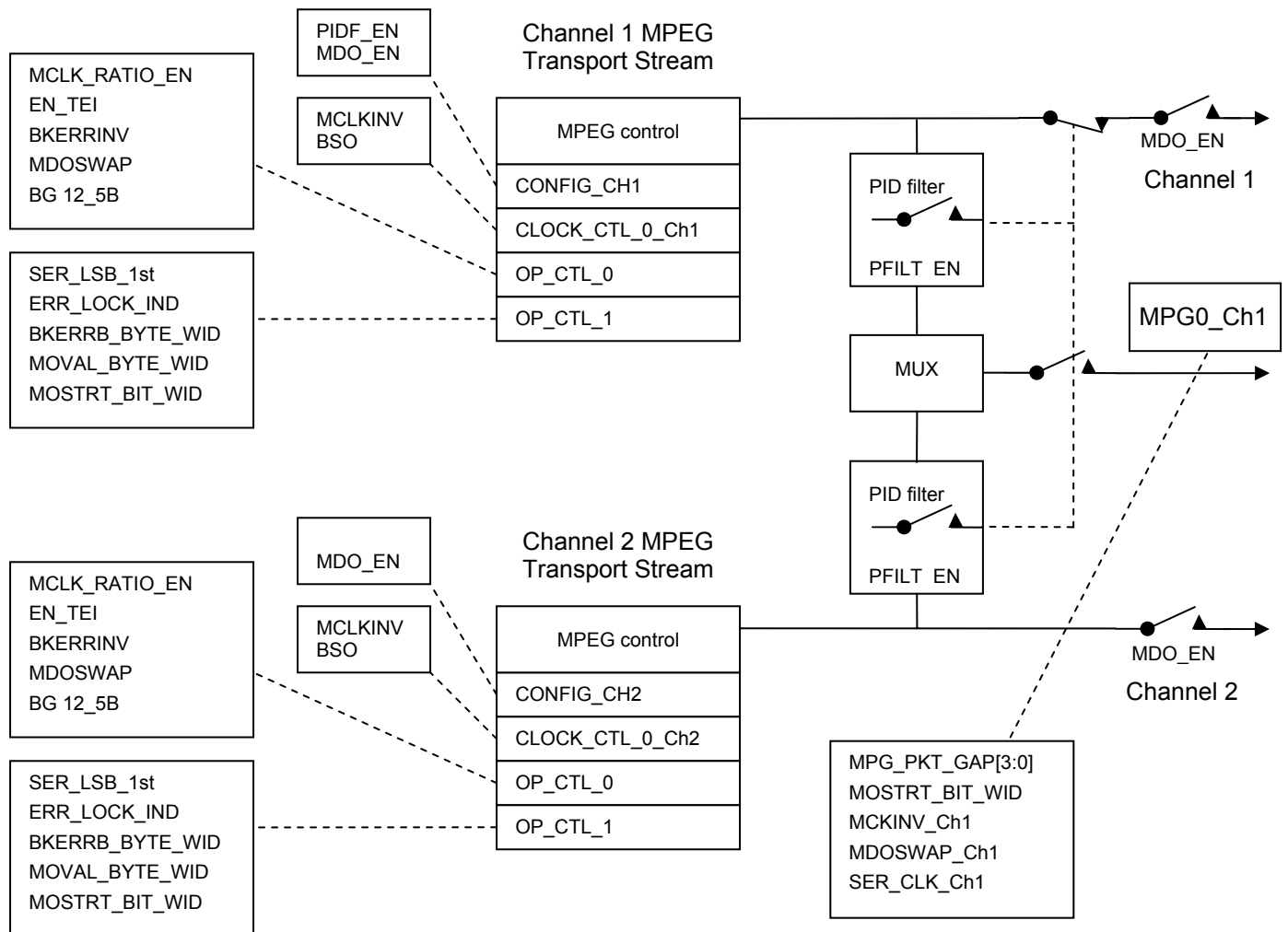
The de-scrambler de-randomizes the Reed-Solomon decoded data by generating the exclusive-OR of this with a pseudo-random bit sequence (PRBS). This outputs 188-byte MPEG transport packets. The TEI bit of the packet header may be set if required to indicate uncorrectable packets.

4.20 MPEG Transport Stream Interface and PID filters

MPEG data can be output in parallel or serial mode. The output clock frequency is automatically chosen to present the MPEG data as uniformly spaced as possible to the transport processor. This frequency depends on the guard ratio, constellation, hierarchy and code rate.

The MPEG output pins MDO(7:0), MOVAL, MOSTRT, MCLK and BKERRB shall be tristated in normal device operation when MDOENB is '1' (the default). The multiplexed output is enabled whenever the PID filters are enabled.

Figure 6 TS output control



4.21 PID Filter

The packet identifier filter has 2 main functions. It filters out unwanted MPEG data by discarding MPEG packets that do not have a valid PID. By reducing the total amount of MPEG data packets, the two channels of the dual demodulator can be output on a single MPEG stream. In order for the MPEG processor to determine which channel the packet has come from, the PID values in each channel may be modified, to ensure they have a unique PID.

Notes:

- The PID filter handles 2 data streams, one for each DVB-T demodulator.
- The PID filter function is controlled from channel 1 only.
- Bit 0 (PF1_EN) and 1 (PF2_EN) of PFILT_EN_Ch1 must both be set to 1 for PID filtering to take place.
- The multiplexed MPEG output is enabled whenever the PID filters are enabled.
- The channel 1 MPEG output is disabled whenever the PID filters are enabled but channel 2 MPEG output will continue to be output unless turned off through MDO_EN.
- The multiplexed MPEG output can be either serial or parallel, set by SER_CLK_Ch1 in MPGO_Ch1 register.
- The normal, non multiplexed, MPEG outputs can also be serial or parallel BUT if the PID filters are to be used the outputs MUST be set to parallel.

5 Electrical characteristics

Test conditions unless otherwise stated.

T_{amb} = 0 - 80°C, V_{dd} = 3.3V ± 10% and 1.2V ± 5%

5.1.1 Recommended Operating Conditions

Table 5.1 Recommended operating conditions

Symbol	Parameter	Min	Typ	Max	Units
VDD	Power supply voltage: periphery	3.0	3.3	3.6	V
CVDD	core	1.14	1.2	1.26	V
IDDP	Power supply current: periphery ^[1]		1		mA
IDDC	core		210		mA
XTI	Crystal frequency	- 100ppm	20.48	+ 100ppm	MHz
T _{amb}	Ambient operating temperature	-10	-	80	°C
R _{ja}	Theta-JA (θJA), Still Air ³		38		°C /W

[1] Current from the 3.3 V supply will be mainly dependent on the external loads.

[2] Current given is for optimum performance, lower current is possible with reduced performance.

[3] Theta-JA (θJA) is the junction-to-ambient thermal resistance, when the package is mounted on a four-layer JEDEC standard test board with no airflow and dissipating maximum power.

5.1.2 Absolute Maximum Ratings

Table 5.2 Absolute maximum ratings

Symbol	Parameter	Min	Max	Units
VDD	Power supply voltage: periphery	-0.3	3.6	V
CVDD	core	-0.3	1.26	V
V _i	Voltage on input pins (5 V rated)	-0.3	5.5	V
V _i	Voltage on input pins (3.3 V rated)	-0.3	VDD + 0.3	V
V _o	Voltage on output pins (5 V rated)	-0.3	5.5	V
V _o	Voltage on output pins (3.3 V rated)	-0.3	VDD + 0.3	V
T _{STG}	Storage temperature	-55	150	°C
T _{OP}	Operating ambient temperature	-40	85	°C
T _J	Junction temperature	-	125	°C

Note: Stresses exceeding these listed under absolute maximum ratings may induce failure. Exposure to absolute maximum ratings for extended periods may reduce reliability. Functionality at or above these conditions is not implied.

6 Dynamic characteristics

Table 6.1 Digital input bus timing

Parameter	Min	Max	Units
Parallel mode TS MCLK frequency		12	MHz
Serial mode TS MCLK frequency		100	MHz
Parallel mode MDI/MIVAL/MISTART to MCLK setup time	5		ns
Parallel mode MDI/MIVAL/MISTART to MCLK hold time	8		ns
Serial mode MDI(0)/MIVAL/MISTART to MCLK setup time	1		ns
Serial mode MDI(0)/MIVAL/MISTART to MCLK hold time	5		ns

7 Mechanical

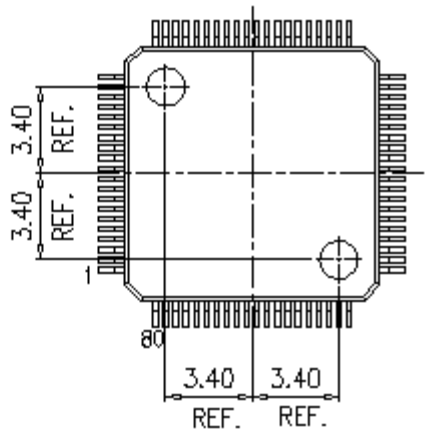
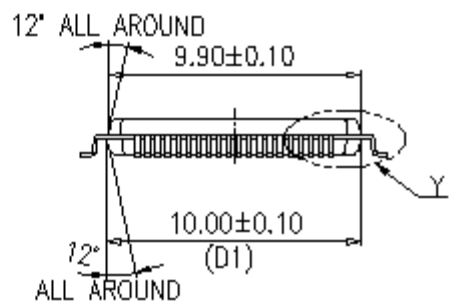
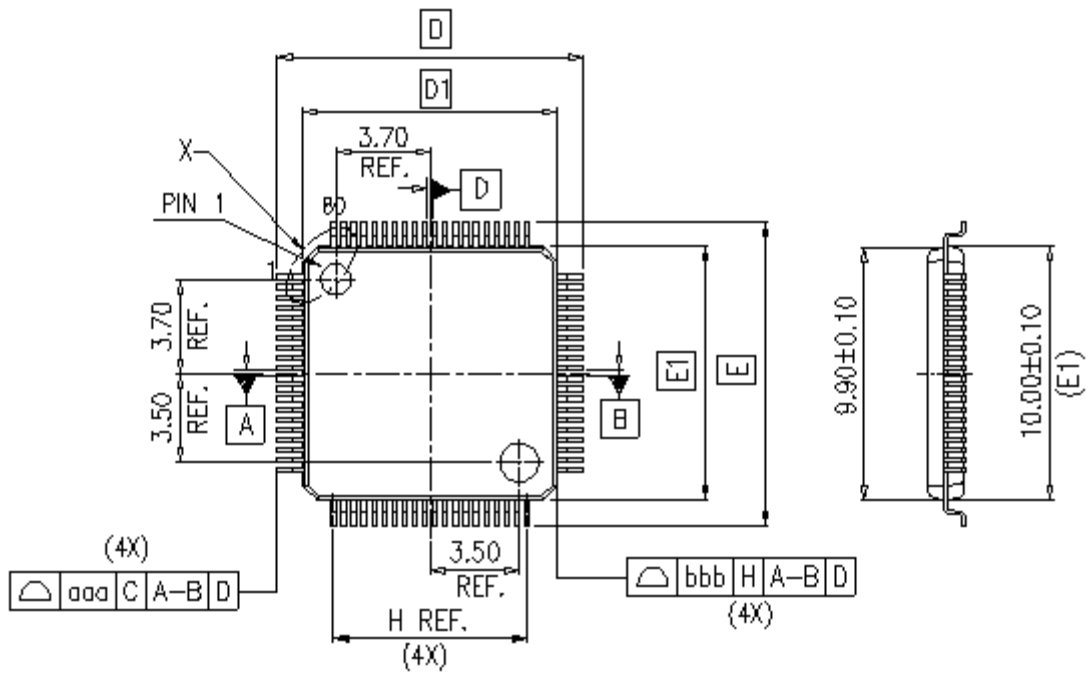
7.1.1 Package Dimensions

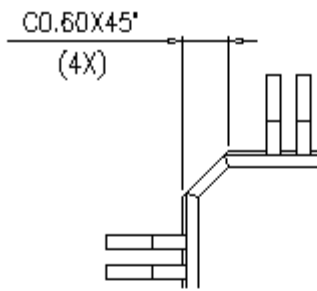
DIMENSION LIST (FOOTPRINT: 2.00)

S/N	SYM	DIMENSIONS	REMARKS
1	A	MAX. 1.600	OVERALL HEIGHT
2	A1	0.100±0.050	STANDOFF
3	A2	1.400±0.050	PKG THICKNESS
4	D	12.000±0.200	LEAD TIP TO TIP
5	D1	10.000±0.100	PKG LENGTH
6	E	12.000±0.200	LEAD TIP TO TIP
7	E1	10.000±0.100	PKG WIDTH
8	L	0.800±0.150	FOOT LENGTH
9	L1	1.000 REF.	LEAD LENGTH
10	T	0.150 ^{+0.05} _{0.08}	LEAD THICKNESS
11	T1	0.127±0.030	LEAD BASE METAL THICKNESS
12	α	0°~7°	FOOT ANGLE
13	b	0.180±0.050	LEAD WIDTH
14	b1	0.160±0.030	LEAD BASE METAL WIDTH
15	e	0.400 BASE	LEAD PITCH
16	H (REF.)	(7.600)	CUM. LEAD PITCH
17	aaa	0.200	PROFILE OF LEAD TIPS
18	bbb	0.200	PROFILE OF MOLD SURFACE
19	ccc	0.080	FOOT COPLANARITY
20	ddd	0.080	FOOT POSITION

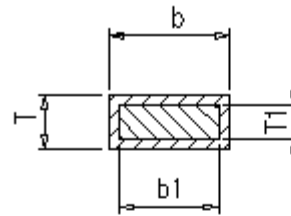
NOTES :

S/N	DESCRIPTION	SPECIFICATION
1	GENERAL TOLERANCE.	
	DISTANCE	±0.100
	ANGLE	±2.5'
2	MATTE FINISH ON PACKAGE BODY SURFACE EXPECT EJECTION AND PIN 1 MARKING.	Ra0.8~2.0um
3	ALL MOLDED BODY SHARP CORNER RADII UNLESS OTHERWISE SPECIFIED.	MAX. R0.200
4	PACKAGE/LEADFRAME MISALIGNMENT (X, Y):	MAX. 0.127
5	TOP/BTM PACKAGE MISALIGNMENT (X, Y):	MAX. 0.127
6	DRAWING DOES NOT INCLUDE PLASTIC OR METAL PROTRUSION OR CUTTING BURR.	
7	COMPLIANT TO JEDEC STANDARD: MS-026	

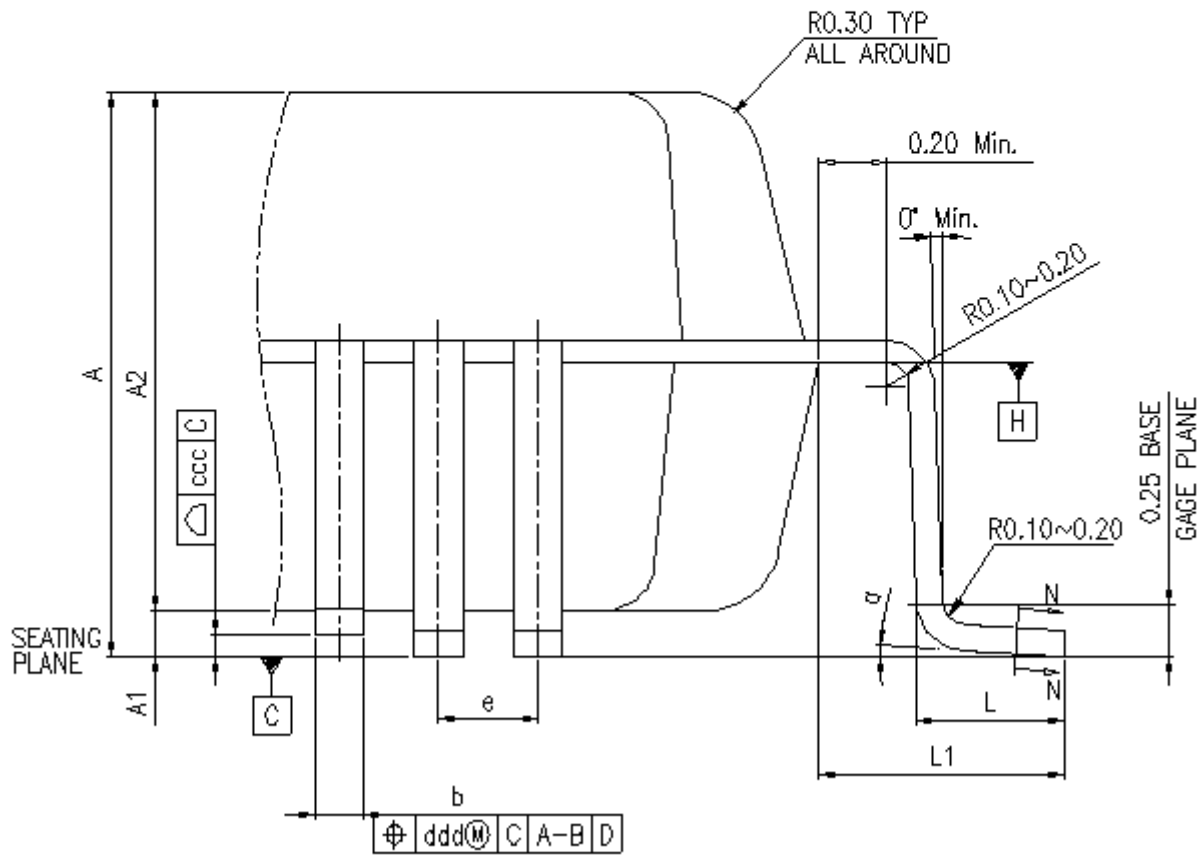




DETAIL X



SECTION N-N



DETAIL Y