

Product Brief

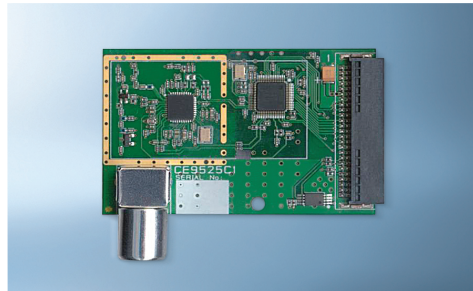
Intel® CE 9525 DVB-T Front-End Solution

Demodulators and Tuners

Applications

- DVB-T set top boxes
- DVB-T integrated digital TV
- PC DVB-T receiver cards
- PC DVB-T USB "plug and play" modules
- Hand-held TV receivers
- Portable DVB-T receivers

DVB-T Digital Terrestrial Front-end Solution with MaxLinear* Tuner



Product Overview

The Intel® CE 9525 reference design is a complete DVB-T digital terrestrial front end integrating the Intel® CE 6355 NorDig Unified high-performance COFDM demodulator and the MaxLinear* MxL500X terrestrial tuner. It is designed specifically for digital terrestrial motherboard set top integrated Digital TV's and PC-TV applications.

This highly integrated front-end solution allows customers to quickly and cost-effectively evaluate

and implement the DVB-T standard in their product designs. Software is supported directly by Intel and the design is accompanied by comprehensive documentation and test results. This compact, low-power DVB-T front-end solution offers NorDig Unified signal-handling performance.

The Intel CE 9525 reference design specifically addresses the challenges of terrestrial TV product size, power and performance.

Intel® CE 9525 DVB-T Reference Design with MaxLinear* Tuner

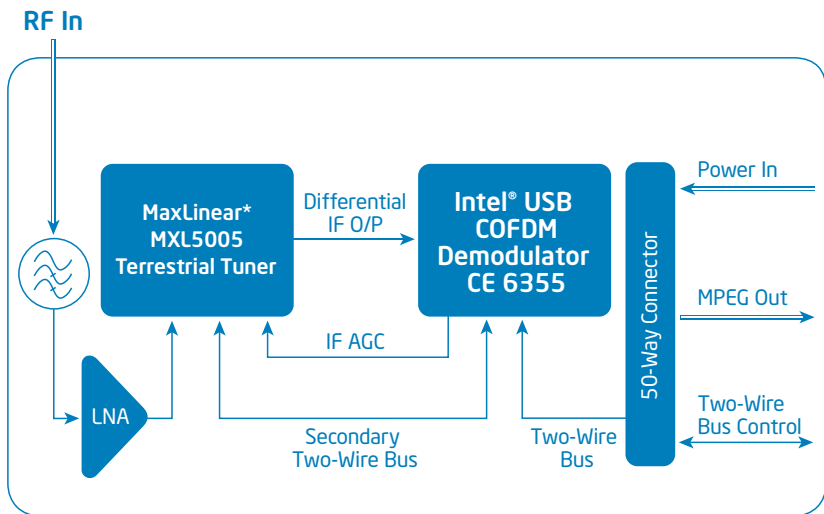
The Intel CE 9525 DVB-T TNIM reference design front-end application board provides a small, highly integrated TV receiver solution for DVB-T terrestrial applications such as set top boxes, integrated digital TVs and PC-TVs. Digital terrestrial signals are down-converted by the MaxLinear tuner to a low IF and fed to the Intel CE 6355 COFDM demodulator for channel coding to transport-stream output.

Intel® CE 9500 DVB-T TNIM Application Board Performance Summary

Parameter	Value (typ)	Units
RF frequency range	170 to 230 474 to 858	MHz
RF signal range	-81 to > -10	dBm
N±1 adjacent channel protection	30 (DVB-T) 38 (PAL)	dB
N±2 to X non-adjacent channel protection	38 (DVB-T) 43 (PAL)	dB
Carrier to noise	19	dB
Blind scan time—UHF mode	12 (2 K mode)	sec
9 digital with 5 analog channels present	18 (2/8 K mode)	

Note: 64QAM, 3/4 code rate, 1/4 guard band, 8K mode, 8MHz channel

Block Diagram



The Intel CE 9525 DVB-T TNIM reference design kit is supplied with only a single +5 volt supply, since all other power rails are generated onboard. The Intel CE 9525 DVB-T reference design front-end solution is optimized for real in-field terrestrial environmental conditions. Supplied as a tested and characterized application board, the reference design provides a reliable, fast time-to-market DVB-T digital front-end solution.

For more information on the MaxLinear MxL500X tuners please contact sales@maxlinear.com or visit www.maxlinear.com.

Product Features

- DVB-T EN300 744 compliant.
- Tested to NorDig Unified 1.0.2 performance
- Low power consumption < 900mW
- Automatic co-channel and adjacent-channel interference suppression

- On-chip active impulse noise filtering, software controlled
- On-chip automatic lost signal re-acquisition
- Excellent blind channel scan times
 - UHF 2K only (9 digital channels in the presence of 5 analog) less than 12s
 - UHF 2K/8K (9 digital channels in the presence of 5 analog) less than 18s
- RF level detect facility via a separate ADC
- No SAW filter required
- Programmable 6, 7 and 8MHz channel operation
- External clock or single low-cost 20.48 MHz crystal
- Low driver software overhead due to on-chip state-machine control
 - Power down mode under software control
 - Channel bit error rates, and uncorrected block count
 - RF level, BER and C/N0 signal indicators
- Very compact single-sided component application board reference design
- Support material available:
 - Schematics and layout artwork
 - Intel CE 6355 data sheet and design manual
 - Hardware user manuals
 - Full software package
 - Performance test results

Customer Support

Contact your current sales representative for availability and customer support details.

For more information, visit the Intel Consumer Electronics home page at: www.intel.com/go/consumerelectronics

Information in this document is provided in connection with Intel products. No license, express or implied, by estoppel or otherwise, to any intellectual property rights is granted by this document. Except as provided in Intel's terms and conditions of sale for such products, Intel assumes no liability whatsoever, and Intel disclaims any express or implied warranty, relating to sale and/or use of Intel products including liability or warranties relating to fitness for a particular purpose, merchantability, or infringement of any patent, copyright or other intellectual property right. Intel products are not intended for use in medical, life saving, or life sustaining applications. Intel may make changes to specifications and product descriptions at any time, without notice.

©2006 Intel Corporation. All rights reserved. Intel, the Intel logo, Intel. Leap ahead. and the Intel. Leap ahead. logo are trademarks or registered trademarks of Intel Corporation or its subsidiaries in the United States and other countries.

*Other names and brands may be claimed as the property of others.