



Intel[®] Core[™] i5-600, i3-500 Desktop Processor Series, Intel[®] Pentium[®] Desktop Processor 6000 Series and LGA1156 Socket

Thermal/Mechanical Specifications and Design Guidelines

January 2011



INFORMATION IN THIS DOCUMENT IS PROVIDED IN CONNECTION WITH INTEL PRODUCTS. NO LICENSE, EXPRESS OR IMPLIED, BY ESTOPPEL OR OTHERWISE, TO ANY INTELLECTUAL PROPERTY RIGHTS IS GRANTED BY THIS DOCUMENT. EXCEPT AS PROVIDED IN INTEL'S TERMS AND CONDITIONS OF SALE FOR SUCH PRODUCTS, INTEL ASSUMES NO LIABILITY WHATSOEVER AND INTEL DISCLAIMS ANY EXPRESS OR IMPLIED WARRANTY, RELATING TO SALE AND/OR USE OF INTEL PRODUCTS INCLUDING LIABILITY OR WARRANTIES RELATING TO FITNESS FOR A PARTICULAR PURPOSE, MERCHANTABILITY, OR INFRINGEMENT OF ANY PATENT, COPYRIGHT OR OTHER INTELLECTUAL PROPERTY RIGHT.

UNLESS OTHERWISE AGREED IN WRITING BY INTEL, THE INTEL PRODUCTS ARE NOT DESIGNED NOR INTENDED FOR ANY APPLICATION IN WHICH THE FAILURE OF THE INTEL PRODUCT COULD CREATE A SITUATION WHERE PERSONAL INJURY OR DEATH MAY OCCUR.

Intel may make changes to specifications and product descriptions at any time, without notice. Designers must not rely on the absence or characteristics of any features or instructions marked "reserved" or "undefined." Intel reserves these for future definition and shall have no responsibility whatsoever for conflicts or incompatibilities arising from future changes to them. The information here is subject to change without notice. Do not finalize a design with this information.

The products described in this document may contain design defects or errors known as errata which may cause the product to deviate from published specifications. Current characterized errata are available on request.

Contact your local Intel sales office or your distributor to obtain the latest specifications and before placing your product order.

Designers must not rely on the absence or characteristics of any features or instructions marked "reserved" or "undefined." Intel reserves these for future definition and shall have no responsibility whatsoever for conflicts or incompatibilities arising from future changes to them.

The Intel® Core™ i5-600, i3-500 Desktop Processor Series, Intel® Pentium® Desktop Processor 6000 Series, and LGA1156 socket may contain design defects or errors known as errata which may cause the product to deviate from published specifications. Current characterized errata are available on request.

Intel® Turbo Boost Technology requires a system with Intel® Turbo Boost Technology capability. Consult your PC manufacturer. Performance varies depending on hardware, software and system configuration. For more information, visit <http://www.intel.com/technology/turboboost>

Contact your local Intel sales office or your distributor to obtain the latest specifications and before placing your product order.

Intel, Intel Core, Pentium, and the Intel logo are trademarks of Intel Corporation in the U.S and other countries.

*Other brands and names may be claimed as the property of others.

Copyright © 2011 Intel Corporation.



Contents

1	Introduction	9
1.1	References	9
1.2	Definition of Terms	10
2	Package Mechanical and Storage Specifications	11
2.1	Package Mechanical Specifications	11
2.1.1	Package Mechanical Drawing	12
2.1.2	Processor Component Keep-Out Zones	12
2.1.3	Package Loading Specifications	13
2.1.4	Package Handling Guidelines	13
2.1.5	Package Insertion Specifications	13
2.1.6	Processor Mass Specification	13
2.1.7	Processor Materials	14
2.1.8	Processor Markings	14
2.1.9	Processor Land Coordinates	15
2.2	Processor Storage Specifications	16
3	LGA1156 Socket	17
3.1	Board Layout	19
3.1.1	Suggested Silk-screen Marking for Socket Identification	20
3.2	Attachment to Motherboard	21
3.3	Socket Components	21
3.3.1	Socket Body Housing	21
3.3.2	Solder Balls	22
3.3.3	Contacts	22
3.3.4	Pick and Place Cover	22
3.4	Package Installation / Removal	23
3.4.1	Socket Standoffs and Package Seating Plane	24
3.5	Durability	24
3.6	Markings	25
3.7	Component Insertion Forces	25
3.8	Socket Size	25
4	Independent Loading Mechanism (ILM)	27
4.1	Design Concept	27
4.1.1	ILM Assembly Design Overview	27
4.1.2	ILM Back Plate Design Overview	28
4.1.3	Shoulder Screw and Fasteners Design Overview	29
4.2	Assembly of ILM to a Motherboard	30
4.3	ILM Interchangeability	32
4.4	Markings	32
4.5	ILM Cover	33
5	LGA1156 Socket and ILM Electrical, Mechanical, and Environmental Specifications ..	37
5.1	Component Mass	37
5.2	Package/Socket Stackup Height	37
5.3	Socket Maximum Temperature	38
5.4	Loading Specifications	38
5.5	Electrical Requirements	39
5.6	Environmental Requirements	39
6	Thermal Specifications	41
6.1	Thermal Specifications	41
6.1.1	Intel® Core™ i5-600 Desktop Processor Series (87W) Thermal Profile	43
6.1.2	Intel® Core™ i5-600, i3-500 Desktop Processor Series and Intel® Pentium® Desktop Processor 6000 Series (73W) Thermal Profile	44



6.1.3	Processor Specification for Operation Where Digital Thermal Sensor Exceeds $T_{CONTROL}$	45
6.1.4	Thermal Metrology	47
6.2	Processor Thermal Features	48
6.2.1	Processor Temperature	48
6.2.2	Adaptive Thermal Monitor	48
6.2.3	THERMTRIP# Signal	52
6.3	Platform Environment Control Interface (PECI)	52
6.3.1	Introduction	52
6.3.2	PECI Client Capabilities	53
6.3.3	Temperature Data	53
7	Sensor-Based Thermal Specification Design Guidance	55
7.1	Sensor-Based Specification Overview	55
7.2	Sensor-Based Thermal Specification	56
7.2.1	TTV Thermal Profile	57
7.2.2	Specification When DTS value is Greater than $T_{CONTROL}$	58
7.3	Thermal Solution Design Process	58
7.3.1	Boundary Condition Definition	59
7.3.2	Thermal Design and Modelling	60
7.3.3	Thermal Solution Validation	60
7.4	Fan Speed Control (FSC) Design Process	61
7.4.1	Fan Speed Control Algorithm without $T_{AMBIENT}$ Data	62
7.4.2	Fan Speed Control Algorithm with $T_{AMBIENT}$ Data	63
7.5	System Validation	64
7.6	Thermal Solution Characterization	65
8	ATX Reference Thermal Solution	67
8.1	Heatsink Thermal Solution	67
8.2	Geometric Envelope for the Intel Reference ATX Thermal Mechanical Design	68
8.3	Heatsink Mass & Center of Gravity	69
8.4	Thermal Interface Material	69
9	Thermal Solution Quality and Reliability Requirements	71
9.1	Reference Heatsink Thermal Verification	71
9.2	Mechanical Environmental Testing	71
9.2.1	Recommended Test Sequence	72
9.2.2	Post-Test Pass Criteria	72
9.2.3	Recommended BIOS/Processor/Memory Test Procedures	72
9.3	Material and Recycling Requirements	73
10	Boxed Processor Specifications	75
10.1	Introduction	75
10.2	Mechanical Specifications	76
10.2.1	Boxed Processor Cooling Solution Dimensions	76
10.2.2	Boxed Processor Fan Heatsink Weight	78
10.2.3	Boxed Processor Retention Mechanism and Heatsink Attach Clip Assembly	78
10.3	Electrical Requirements	78
10.3.1	Fan Heatsink Power Supply	78
10.4	Thermal Specifications	79
10.4.1	Boxed Processor Cooling Requirements	79
10.4.2	Variable Speed Fan	81
A	Component Suppliers	83
B	Mechanical Drawings	85
C	Socket Mechanical Drawings	99
D	Package Mechanical Drawings	105
E	Heat Sink Back Plate Drawings	109



Figures

2-1	Processor Package Assembly Sketch	11
2-2	Package View	12
2-3	Processor Top-Side Markings	14
2-4	Processor Package Lands Coordinates	15
3-1	LGA1156 Socket with Pick and Place Cover	17
3-2	LGA1156 Socket Contact Numbering (Top View of Socket)	18
3-3	LGA1156 Socket Land Pattern (Top View of Board)	19
3-4	Suggested Board Marking	20
3-5	Attachment to Motherboard	21
3-6	Pick and Place Cover	23
3-7	Package Installation / Removal Features	24
4-1	ILM Assembly with Installed Processor	28
4-2	Back Plate	29
4-3	Shoulder Screw	30
4-4	ILM Assembly	31
4-5	Pin1 and ILM Lever	32
4-6	ILM Cover	34
4-7	ILM Cover and PnP Cover Interference	35
5-1	Flow Chart of Knowledge-Based Reliability Evaluation Methodology	40
6-1	Thermal Test Vehicle Thermal Profile for Intel® Core™ i5-600 Desktop Processor Series (87W)	43
6-2	Thermal Test Vehicle Thermal Profile for Intel® Core™ i5-600, i3-500 Desktop Processor Series, Intel® Pentium® Desktop Processor 6000 Series (73W)	44
6-3	TTV Case Temperature (TCASE) Measurement Location	48
6-4	Frequency and Voltage Ordering	50
6-5	Temperature Sensor Data Format	53
7-1	Comparison of Case Temperature versus Sensor-Based Specification	56
7-2	Intel® Core™ i5-600 Desktop Processor Series (87W) Thermal Profile	57
7-3	Thermal Solution Performance	58
7-4	Required YCA for Various AMBIENT Conditions	59
7-5	Thermal Solution Performance versus Fan Speed	61
7-6	Fan Response Without AMBIENT Data	62
7-7	Fan Response with AMBIENT Aware FSC	64
8-1	ATX Heatsink Reference Design Assembly	68
8-2	ATX KOZ 3-D Model Primary (Top) Side	68
10-1	Boxed Processor Fan Heatsink	75
10-2	Space Requirements for the Boxed Processor (Side View)	76
10-3	Space Requirements for the Boxed Processor (Top View)	77
10-4	Space Requirements for the Boxed Processor (Overall View)	77
10-5	Boxed Processor Fan Heatsink Power Cable Connector Description	78
10-6	Baseboard Power Header Placement Relative to Processor Socket	79
10-7	Boxed Processor Fan Heatsink Airspace Keepout Requirements (Top View)	80
10-8	Boxed Processor Fan Heatsink Airspace Keepout Requirements (Side View)	80
10-9	Boxed Processor Fan Heatsink Set Points	81
B-1	Socket / Heatsink / ILM Keepout Zone Primary Side (Top)	86
B-2	Socket / Heatsink / ILM Keepout Zone Secondary Side (Bottom)	87
B-3	Socket / Processor / ILM Keepout Zone Primary Side (Top)	88
B-4	Socket / Processor / ILM Keepout Zone Secondary Side (Bottom)	89
B-5	Reference Design Heatsink Assembly	90
B-6	Reference Fastener (Sheet 1 of 4)	91
B-7	Reference Fastener (Sheet 2 of 4)	92
B-8	Reference Fastener (Sheet 3 of 4)	93



B-9	Reference Fastener (Sheet 4 of 4)	94
B-10	Reference Clip (Sheet 1 of 2)	95
B-11	Reference Clip (Sheet 2 of 2)	96
B-12	Thermocouple Attach Drawing	97
C-1	Socket Mechanical Drawing (Sheet 1 of 4)	100
C-2	Socket Mechanical Drawing (Sheet 2 of 4)	101
C-3	Socket Mechanical Drawing (Sheet 3 of 4)	102
C-4	Socket Mechanical Drawing (Sheet 4 of 4)	103
D-1	Processor Package Drawing (Sheet 1 of 2)	106
D-2	Processor Package Drawing (Sheet 2 of 2)	107
E-1	Heat Sink Back Plate Keep In Zone	110
E-2	Heat Sink Back Plate	111

Tables

1-1	Reference Documents	9
1-2	Terms and Descriptions	10
2-1	Processor Loading Specifications	13
2-2	Package Handling Guidelines	13
2-3	Processor Materials	14
2-4	Storage Conditions	16
5-1	Socket Component Mass	37
5-2	1156-land Package and LGA1156 Socket Stackup Height	37
5-3	Socket & ILM Mechanical Specifications	38
5-4	Electrical Requirements for LGA1156 Socket	39
6-1	Intel® Core™ i5-600, i3-500 Desktop Processor Series, Intel® Pentium® Desktop Processor 6000 Series Processor Thermal Specifications	42
6-2	Thermal Test Vehicle Thermal Profile for Intel® Core™ i5-600 Desktop Processor Series (87W)	43
6-3	Thermal Test Vehicle Thermal Profile for Intel® Core™ i5-600, i3-500 Desktop Processor Series and Intel® Pentium® Desktop Processor 6000 Series (73W)	45
6-4	Thermal Solution Performance above $T_{CONTROL}$ for Intel® Core™ i5-600 Desktop Processor Series(87W)	46
6-5	Thermal Solution Performance above $T_{CONTROL}$ for Intel® Core™ i5-600, i3-500 Desktop Processor Series, Intel® Pentium® Desktop Processor 6000 Series (73W)	46
6-6	Supported PECI Command Functions and Codes	53
6-7	Error Codes and Descriptions	54
7-1	Thermal Solution Performance Above $T_{CONTROL}$	65
8-1	Reference Thermal Solutions	67
9-1	Use Conditions (Board Level)	71
10-1	Fan Heatsink Power and Signal Specifications	79
10-2	Fan Heatsink Set Points	81
A-1	Reference Heatsink Enabled Components	83
A-2	LGA1156 Socket and ILM Components	83
A-3	Supplier Contact Information	83
B-1	Mechanical Drawing List	85
C-1	Mechanical Drawing List	99
D-1	Mechanical Drawing List	105
E-1	Mechanical Drawing List	109
E-2	Supplier Contact Information	109



Revision History

Revision Number	Description	Revision Date
-001	<ul style="list-style-type: none">Initial release	January 2010
-002	<ul style="list-style-type: none">Added Intel® Pentium® desktop processor 6000 series naming.Updated the THERM-X supplier information.	January 2011

§ §





1 Introduction

This document differs from previous Thermal and Mechanical Design Guidelines. In this document, mechanical and thermal specifications for the processor and the associated socket are now included. The usual design guidance has been retained.

The components described in this document include:

- The thermal and mechanical specifications for the
 - Intel® Core™ i5-600, i3-500 desktop processor series, Intel® Pentium® desktop processor 6000 series
- The LGA1156 socket and the Independent Loading Mechanism (ILM) and back plate.
- The reference design thermal solution (heatsink) for the processors and associated retention hardware.

The Intel® Core™ i5-600, i3-500 desktop processor series, Intel® Pentium® desktop processor 6000 series has two thermal specifications. When required for clarity, this document will use Intel® Core™ i5-600 desktop processor series (87W) or Intel® Core™ i5-600, i3-500 desktop processor series, Intel® Pentium® desktop processor 6000 series (73W).

Note: When the information is applicable to all products, this document will use “processor” or “processors” to simplify the document.

1.1 References

Material and concepts available in the following documents may be beneficial when reading this document.

Table 1-1. Reference Documents

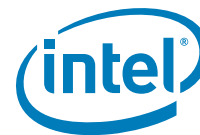
Document	Location
<i>Intel® Core™ i5-600, i3-500 Desktop Processor Series, Intel® Pentium® Processor 6000 Series Datasheet, Volume 1</i>	http://download.intel.com/design/processor/datashts/322909.pdf
<i>Intel® Core™ i5-600, i3-500 Desktop Processor Series, Intel® Pentium® Processor 6000 Series Datasheet, Volume 2</i>	http://download.intel.com/design/processor/datashts/322910.pdf
<i>Intel® Core™ i5-600, i3-500 Desktop Processor Series, Intel® Pentium® Processor 6000 Series Specification Update</i>	http://download.intel.com/design/processor/specupdt/322911.pdf
<i>Intel® 5 Series Chipset and Intel® 3400 Chipset Datasheet</i>	http://www.intel.com/Assets/PDF/datasheet/322169.pdf
<i>Intel® 5 Series Chipset and Intel® 3400 Chipset Specification Update</i>	http://download.intel.com/design/processor/specupdt/322170.pdf
<i>Intel® 5 Series Chipset and Intel® 3400 Chipset – Thermal Mechanical Specifications and Design Guidelines</i>	www.intel.com/Assets/PDF/designguide/322171.pdf
<i>4-Wire Pulse Width Modulation (PWM) Controlled Fans</i>	http://www.formfactors.org/

1.2 Definition of Terms

Table 1-2. Terms and Descriptions

Term	Description
Bypass	Bypass is the area between a passive heatsink and any object that can act to form a duct. For this example, it can be expressed as a dimension away from the outside dimension of the fins to the nearest surface.
CTE	Coefficient of Thermal Expansion. The relative rate a material expands during a thermal event.
DTS	Digital Thermal Sensor reports a relative die temperature as an offset from TCC activation temperature.
FSC	Fan Speed Control
IHS	Integrated Heat Spreader: a component of the processor package used to enhance the thermal performance of the package. Component thermal solutions interface with the processor at the IHS surface.
ILM	Independent Loading Mechanism provides the force needed to seat the 1156-LGA land package onto the socket contacts.
PCH	Platform Controller Hub. The PCH is connected to the processor using the Direct Media Interface (DMI) and Intel® Flexible Display Interface (Intel® FDI).
LGA1156 socket	The processor mates with the system board through this surface mount, 1156-land socket.
PECI	The Platform Environment Control Interface (PECI) is a one-wire interface that provides a communication channel between Intel processor and chipset components to external monitoring devices.
Ψ_{CA}	Case-to-ambient thermal characterization parameter (ψ). A measure of thermal solution performance using total package power. Defined as $(T_{CASE} - T_{LA}) / \text{Total Package Power}$. The heat source should always be specified for Ψ measurements.
Ψ_{CS}	Case-to-sink thermal characterization parameter. A measure of thermal interface material performance using total package power. Defined as $(T_{CASE} - T_S) / \text{Total Package Power}$.
Ψ_{SA}	Sink-to-ambient thermal characterization parameter. A measure of heatsink thermal performance using total package power. Defined as $(T_S - T_{LA}) / \text{Total Package Power}$.
T_{CASE} or T_C	The case temperature of the processor, measured at the geometric center of the topside of the TTV IHS.
$T_{CASE-MAX}$	The maximum case temperature as specified in a component specification.
TCC	Thermal Control Circuit: Thermal monitor uses the TCC to reduce the die temperature by using clock modulation and/or operating frequency and input voltage adjustment when the die temperature is very near its operating limits.
$T_{CONTROL}$	$T_{CONTROL}$ is a static value that is below the TCC activation temperature and used as a trigger point for fan speed control. When $DTS > T_{CONTROL}$, the processor must comply with the TTV thermal profile.
TDP	Thermal Design Power: Thermal solution should be designed to dissipate this target power level. TDP is not the maximum power that the processor can dissipate.
Thermal Monitor	A power reduction feature designed to decrease temperature after the processor has reached its maximum operating temperature.
Thermal Profile	Line that defines case temperature specification of the TTV at a given power level.
TIM	Thermal Interface Material: The thermally conductive compound between the heatsink and the processor case. This material fills the air gaps and voids, and enhances the transfer of the heat from the processor case to the heatsink.
TTV	Thermal Test Vehicle. A mechanically equivalent package that contains a resistive heater in the die to evaluate thermal solutions.
T_{LA}	The measured ambient temperature locally surrounding the processor. The ambient temperature should be measured just upstream of a passive heatsink or at the fan inlet for an active heatsink.
T_{SA}	The system ambient air temperature external to a system chassis. This temperature is usually measured at the chassis air inlets.





2 Package Mechanical and Storage Specifications

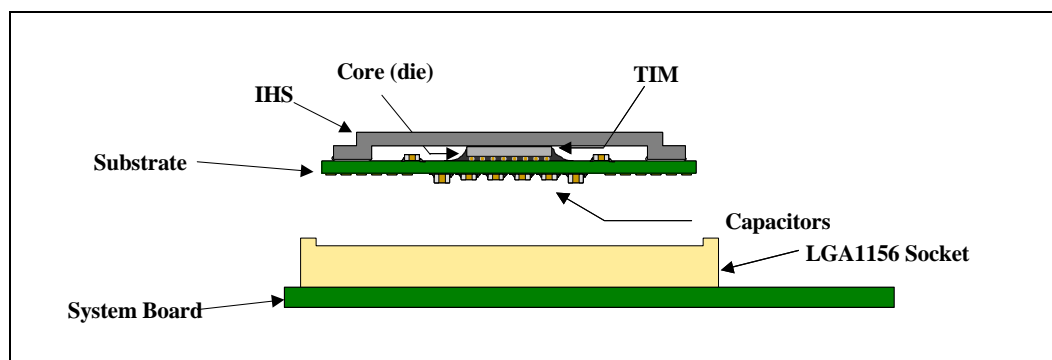
2.1 Package Mechanical Specifications

The processor is packaged in a Flip-Chip Land Grid Array package that interfaces with the motherboard using the LGA1156 socket. The package consists of a processor mounted on a substrate land-carrier. An integrated heat spreader (IHS) is attached to the package substrate and core and serves as the mating surface for processor thermal solutions, such as a heatsink. Figure 2-1 shows a sketch of the processor package components and how they are assembled together. Refer to Chapter 3 and Chapter 4 for complete details on the LGA1156 socket.

The package components shown in Figure 2-1 include the following:

1. Integrated Heat Spreader (IHS)
2. Thermal Interface Material (TIM)
3. Processor core (die)
4. Package substrate
5. Capacitors

Figure 2-1. Processor Package Assembly Sketch



Note:

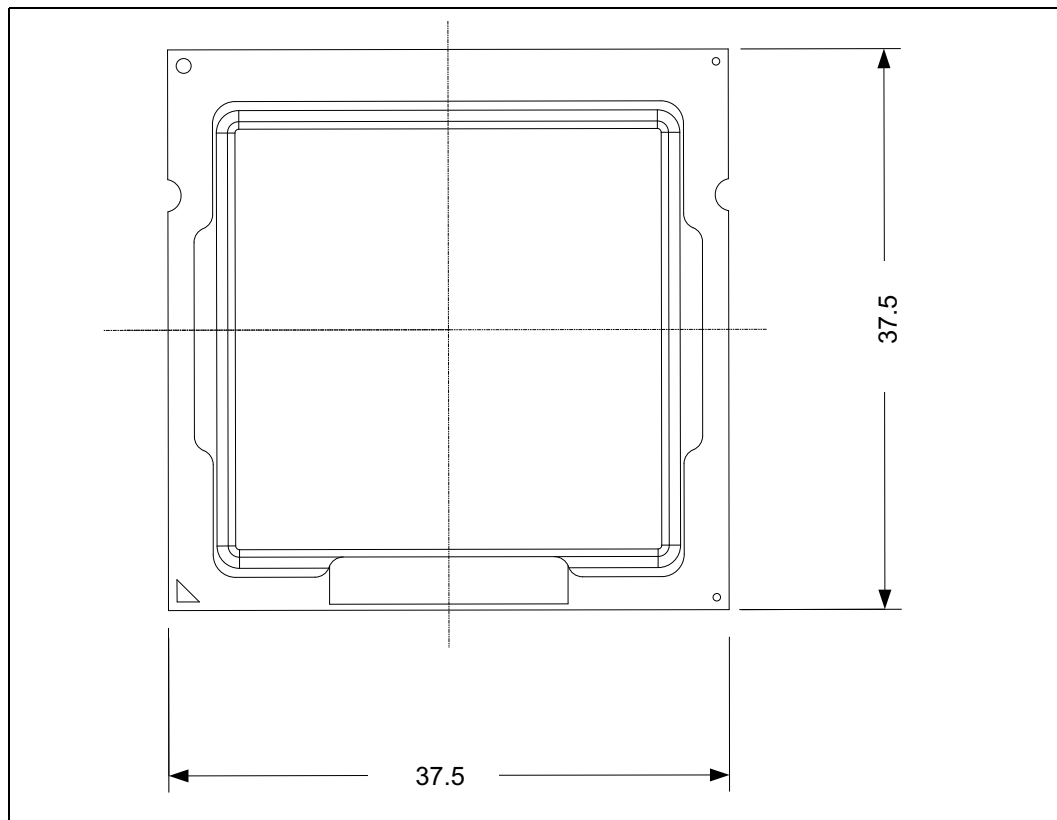
1. Socket and motherboard are included for reference and are not part of processor package.
2. For clarity, the ILM is not shown.

2.1.1 Package Mechanical Drawing

Figure 2-2 shows the basic package layout and dimensions. The detailed package mechanical drawings are in Appendix D. The drawings include dimensions necessary to design a thermal solution for the processor. These dimensions include:

1. Package reference dimensions with tolerances (total height, length, width, and so forth.)
2. IHS parallelism and tilt
3. Land dimensions
4. Top-side and back-side component keep-out dimensions
5. Reference datums
6. All drawing dimensions are in mm

Figure 2-2. Package View



2.1.2 Processor Component Keep-Out Zones

The processor may contain components on the substrate that define component keep-out zone requirements. A thermal and mechanical solution design must not intrude into the required keep-out zones. Decoupling capacitors are typically mounted to either the topside or land-side of the package substrate. See Figure B-3 and Figure B-4 for keep-out zones. The location and quantity of package capacitors may change due to manufacturing efficiencies but will remain within the component keep-in. This keep-in zone includes solder paste and is a post reflow maximum height for the components.



2.1.3 Package Loading Specifications

Table 2-1 provides dynamic and static load specifications for the processor package. These mechanical maximum load limits should not be exceeded during heatsink assembly, shipping conditions, or standard use condition. Also, any mechanical system or component testing should not exceed the maximum limits. The processor package substrate should not be used as a mechanical reference or load-bearing surface for thermal and mechanical solution.

Table 2-1. Processor Loading Specifications

Parameter	Minimum	Maximum	Notes
Static Compressive Load	—	600 N [135 lbf]	1, 2, 3
Dynamic Compressive Load	—	712 N [160 lbf]	1, 3, 4

Notes:

1. These specifications apply to uniform compressive loading in a direction normal to the processor IHS.
2. This is the maximum static force that can be applied by the heatsink and retention solution to maintain the heatsink and processor interface.
3. These specifications are based on limited testing for design characterization. Loading limits are for the package only and do not include the limits of the processor socket.
4. Dynamic loading is defined as an 50g shock load, 2X Dynamic Acceleration Factor with a 500g maximum thermal solution.

2.1.4 Package Handling Guidelines

Table 2-2 includes a list of guidelines on package handling in terms of recommended maximum loading on the processor IHS relative to a fixed substrate. These package handling loads may be experienced during heatsink removal.

Table 2-2. Package Handling Guidelines

Parameter	Maximum Recommended	Notes
Shear	311 N [70 lbf]	1, 4
Tensile	111 N [25 lbf]	2, 4
Torque	3.95 N-m [35 lbf-in]	3, 4

Notes:

1. A shear load is defined as a load applied to the IHS in a direction parallel to the IHS top surface.
2. A tensile load is defined as a pulling load applied to the IHS in a direction normal to the IHS surface.
3. A torque load is defined as a twisting load applied to the IHS in an axis of rotation normal to the IHS top surface.
4. These guidelines are based on limited testing for design characterization.

2.1.5 Package Insertion Specifications

The processor can be inserted into and removed from an LGA1156 socket 15 times. The socket should meet the LGA1156 socket requirements detailed in [Chapter 5](#).

2.1.6 Processor Mass Specification

The typical mass of the processor is 21.5g (0.76 oz). This mass [weight] includes all the components that are included in the package.

2.1.7 Processor Materials

Table 2-3 lists some of the package components and associated materials.

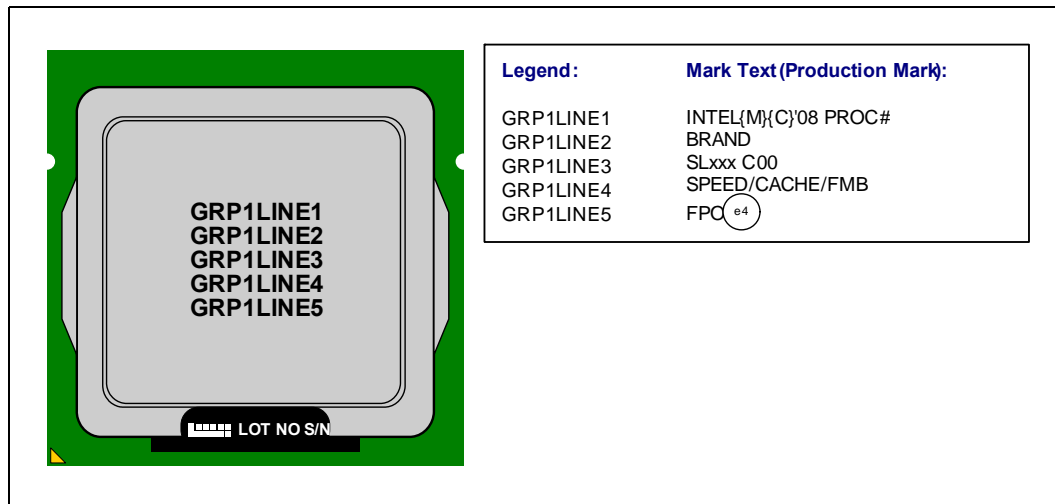
Table 2-3. Processor Materials

Component	Material
Integrated Heat Spreader (IHS)	Nickel Plated Copper
Substrate	Fiber Reinforced Resin
Substrate Lands	Gold Plated Copper

2.1.8 Processor Markings

Figure 2-3 shows the topside markings on the processor. This diagram is to aid in the identification of the processor.

Figure 2-3. Processor Top-Side Markings

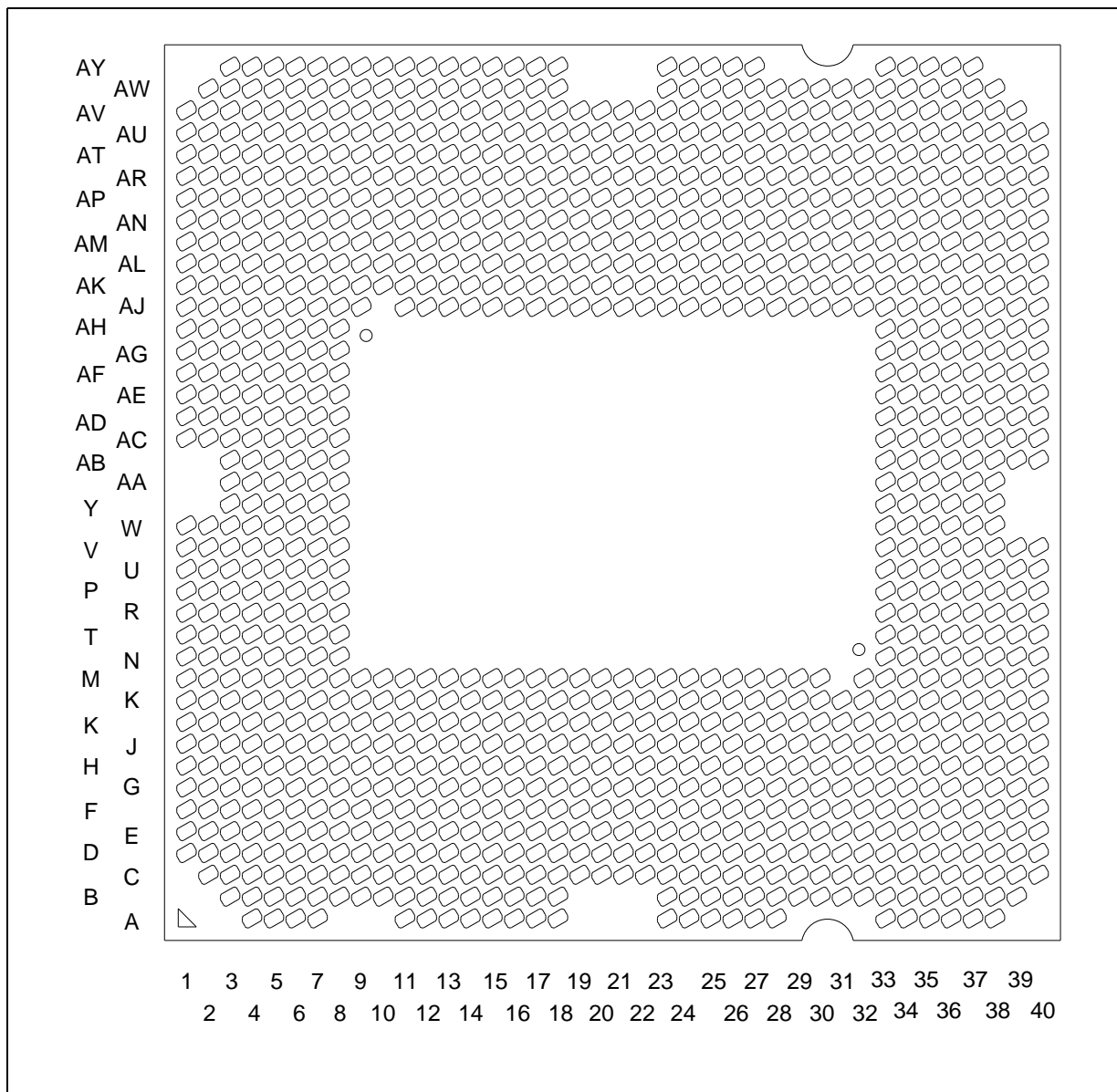




2.1.9 Processor Land Coordinates

Figure 2-4 shows the bottom view of the processor package.

Figure 2-4. Processor Package Lands Coordinates





2.2 Processor Storage Specifications

Table 2-4 includes a list of the specifications for device storage in terms of maximum and minimum temperatures and relative humidity. These conditions should not be exceeded in storage or transportation.

Table 2-4. Storage Conditions

Parameter	Description	Min	Max	Notes
$T_{\text{ABSOLUTE STORAGE}}$	The non-operating device storage temperature. Damage (latent or otherwise) may occur when subjected to for any length of time.	-55 °C	125 °C	1, 2, 3
$T_{\text{SUSTAINED STORAGE}}$	The ambient storage temperature limit (in shipping media) for a sustained period of time.	-5 °C	40 °C	4, 5
$RH_{\text{SUSTAINED STORAGE}}$	The maximum device storage relative humidity for a sustained period of time.	60% @ 24 °C		5, 6
$TIME_{\text{SUSTAINED STORAGE}}$	A prolonged or extended period of time; typically associated with customer shelf life.	0 Months	6 Months	6

Notes:

1. Refers to a component device that is not assembled in a board or socket that is not to be electrically connected to a voltage reference or I/O signals.
2. Specified temperatures are based on data collected. Exceptions for surface mount reflow are specified in applicable JEDEC standard. Non-adherence may affect processor reliability.
3. $T_{\text{ABSOLUTE STORAGE}}$ applies to the unassembled component only and does not apply to the shipping media, moisture barrier bags or desiccant.
4. Intel® branded board products are certified to meet the following temperature and humidity limits that are given as an example only (Non-Operating Temperature Limit: -40 °C to 70 °C, Humidity: 50% to 90%, non-condensing with a maximum wet bulb of 28 °C). Post board attach storage temperature limits are not specified for non-Intel branded boards.
5. The JEDEC, J-JSTD-020 moisture level rating and associated handling practices apply to all moisture sensitive devices removed from the moisture barrier bag.
6. Nominal temperature and humidity conditions and durations are given and tested within the constraints imposed by $T_{\text{SUSTAINED}}$ and customer shelf life in applicable Intel box and bags.



3 LGA1156 Socket

This chapter describes a surface mount, LGA (Land Grid Array) socket intended for the processors. The socket provides I/O, power, and ground contacts. The socket contains 1156 contacts arrayed about a cavity in the center of the socket with lead-free solder balls for surface mounting on the motherboard.

The contacts are arranged in two opposing L-shaped patterns within the grid array. The grid array is 40 x 40 with 24 x 16 grid depopulation in the center of the array and selective depopulation elsewhere.

The socket must be compatible with the package (processor) and the Independent Loading Mechanism (ILM). The ILM design includes a back plate that is integral to having a uniform load on the socket solder joints. Socket loading specifications are listed in [Chapter 5](#).

Figure 3-1. LGA1156 Socket with Pick and Place Cover

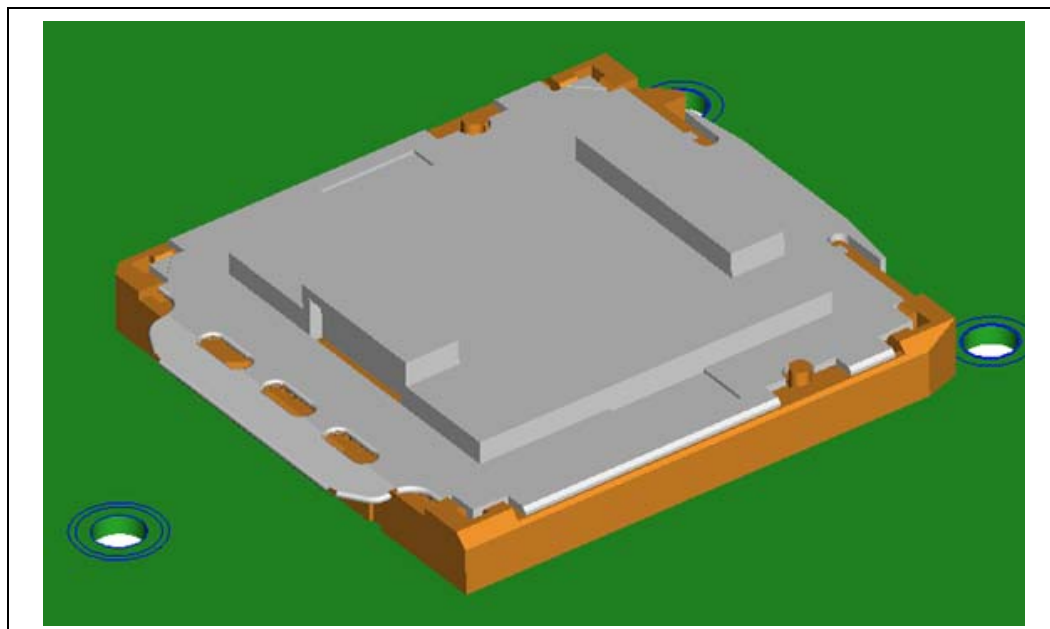
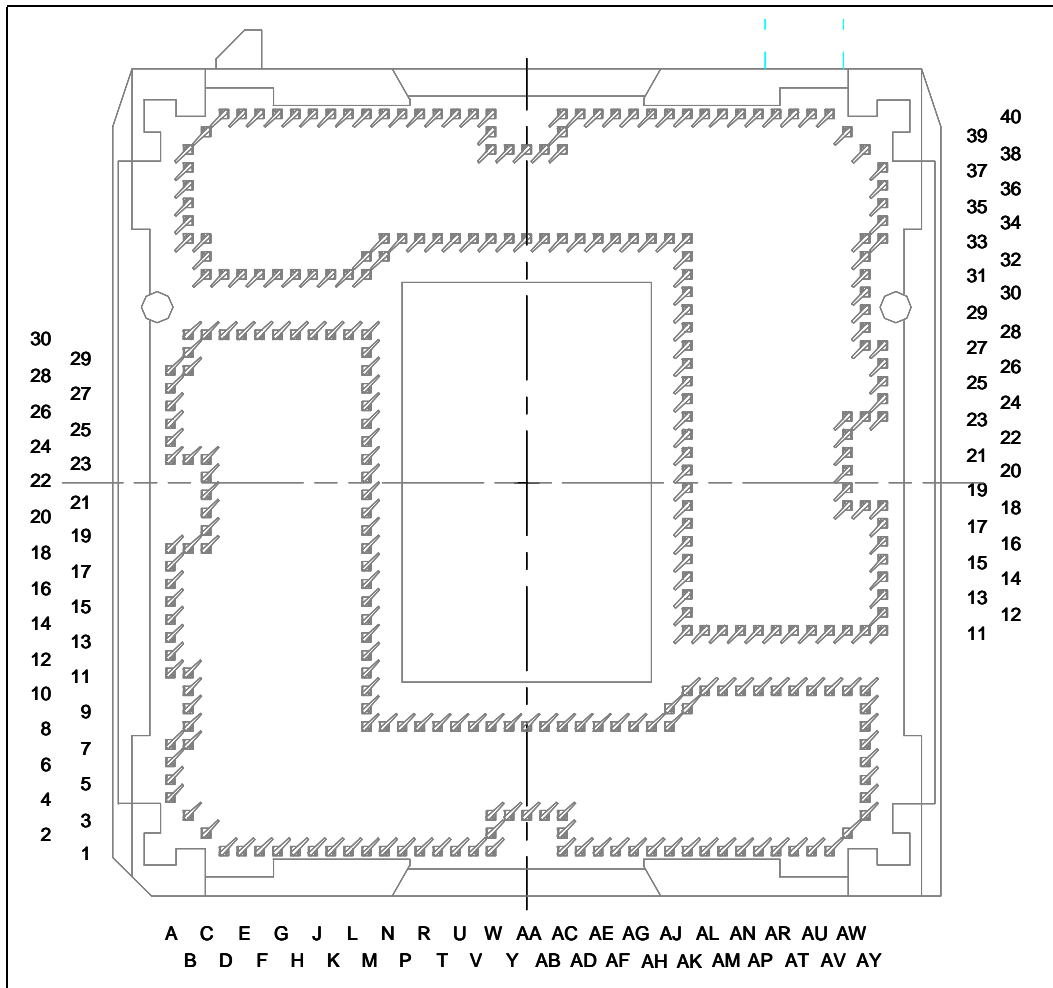
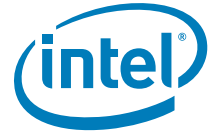


Figure 3-2. LGA1156 Socket Contact Numbering (Top View of Socket)

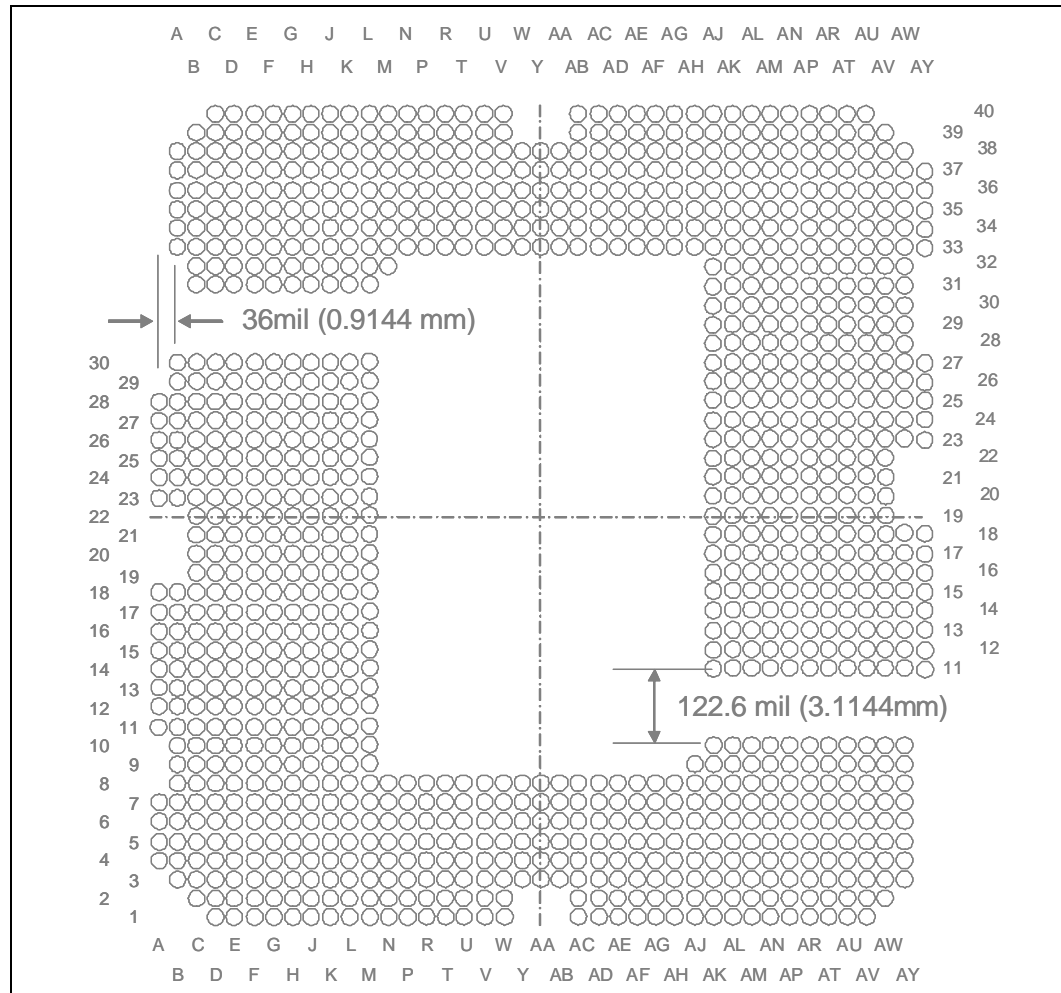




3.1 Board Layout

The land pattern for the LGA1156 socket is 36 mils X 36 mils (X by Y) within each of the two L-shaped sections. Note that there is no round-off (conversion) error between socket pitch (0.9144 mm) and board pitch (36 mil) as these values are equivalent. The two L-sections are offset by 0.9144 mm (36 mil) in the x direction and 3.114 mm (122.6 mil) in the y direction (see Figure 3-3). This was to achieve a common package land to PCB land offset that ensures a single PCB layout for socket designs from the multiple vendors.

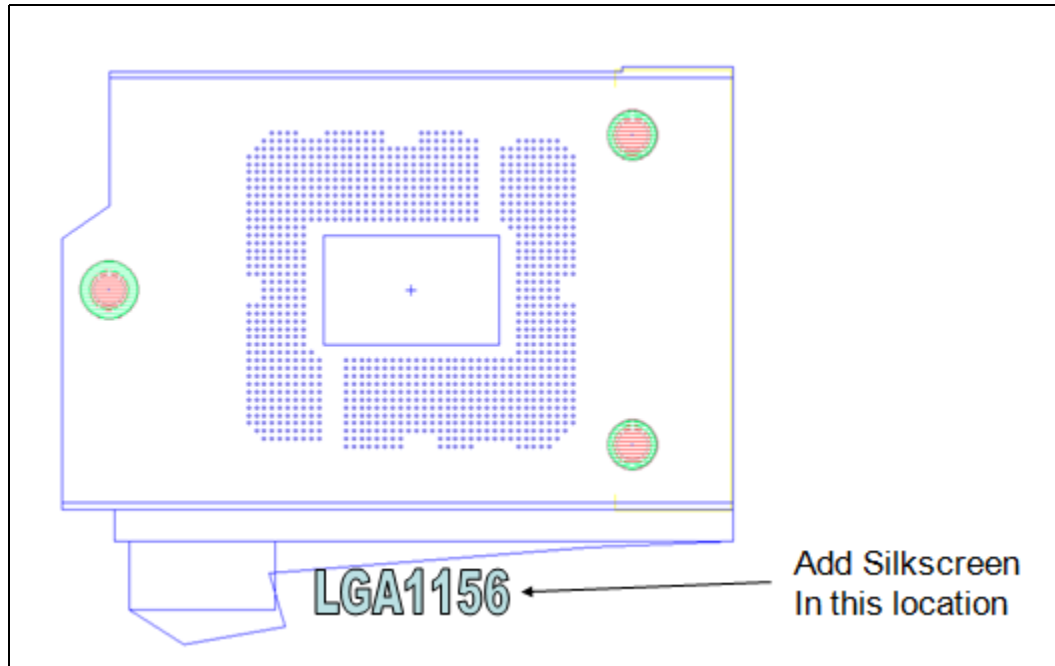
Figure 3-3. LGA1156 Socket Land Pattern (Top View of Board)



3.1.1 Suggested Silk-screen Marking for Socket Identification

Intel is recommending that customers mark the socket name approximately where shown in Figure 3-4.

Figure 3-4. Suggested Board Marking

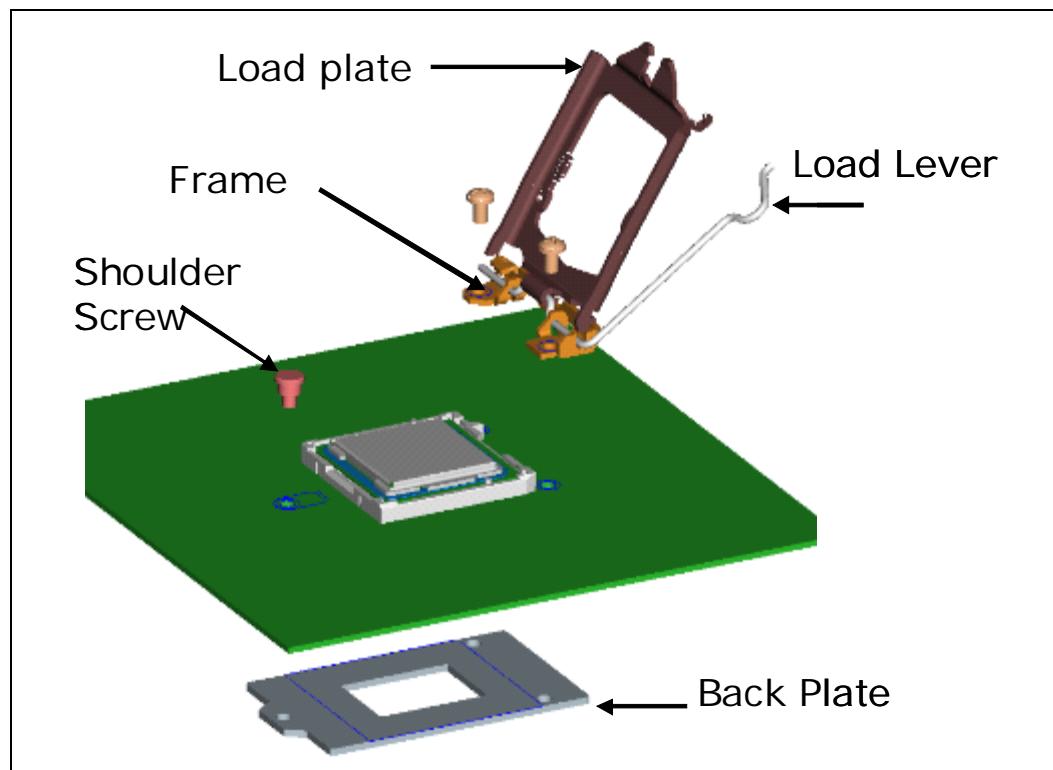


3.2 Attachment to Motherboard

The socket is attached to the motherboard by 1156 solder balls. There are no additional external methods (that is, screw, extra solder, adhesive, etc.) to attach the socket.

As indicated in [Figure 3-1](#), the Independent Loading Mechanism (ILM) is not present during the attach (reflow) process.

Figure 3-5. Attachment to Motherboard



3.3 Socket Components

The socket has two main components, the socket body and Pick and Place (PnP) cover, and is delivered as a single integral assembly. Refer to [Appendix C](#) for detailed drawings.

3.3.1 Socket Body Housing

The housing material is thermoplastic or equivalent with UL 94 V-0 flame rating capable of withstanding 260 °C for 40 seconds, which is compatible with typical reflow/rework profiles. The socket coefficient of thermal expansion (in the XY plane), and creep properties, must be such that the integrity of the socket is maintained for the conditions listed in [Chapter 5](#).

The color of the housing will be dark as compared to the solder balls to provide the contrast needed for pick and place vision systems.

3.3.2 Solder Balls

A total of 1156 solder balls corresponding to the contacts are on the bottom of the socket for surface mounting with the motherboard. The socket solder ball has the following characteristics:

- Lead free SAC (SnAgCu) 305 solder alloy with a silver (Ag) content between 3% and 4% and a melting temperature of approximately 217 °C. The alloy must be compatible with immersion silver (ImAg) and Organic Solderability Protectant (OSP) motherboard surface finishes and a SAC alloy solder paste.

The co-planarity (profile) and true position requirements are defined in [Appendix C](#).

3.3.3 Contacts

Base material for the contacts is high strength copper alloy.

For the area on socket contacts where processor lands will mate, there is a 0.381 μm [15 μinches] minimum gold plating over 1.27 μm [50 μinches] minimum nickel underplate.

No contamination by solder in the contact area is allowed during solder reflow.

3.3.4 Pick and Place Cover

The cover provides a planar surface for vacuum pick up used to place components in the Surface Mount Technology (SMT) manufacturing line. The cover remains on the socket during reflow to help prevent contamination during reflow. The cover can withstand 260 °C for 40 seconds (typical reflow/rework profile) and the conditions listed in [Chapter 5](#) without degrading.

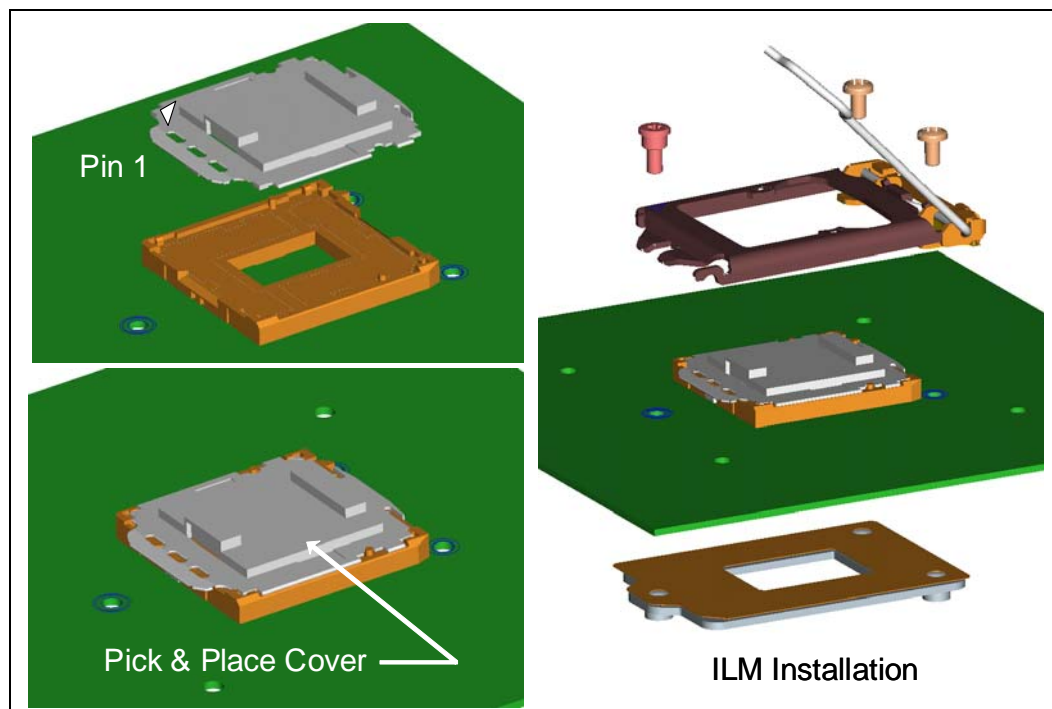
As indicated in [Figure 3-6](#), the cover remains on the socket during ILM installation, and should remain on whenever possible to help prevent damage to the socket contacts.

Cover retention must be sufficient to support the socket weight during lifting, translation, and placement (board manufacturing), and during board and system shipping and handling. Covers can be removed without tools.

The socket vendors have a common interface on the socket body where the PnP cover attaches to the socket body. This should allow the PnP covers to be compatible between socket suppliers.

As indicated in [Figure 3-6](#), a Pin 1 indicator on the cover provides a visual reference for proper orientation with the socket.

Figure 3-6. Pick and Place Cover



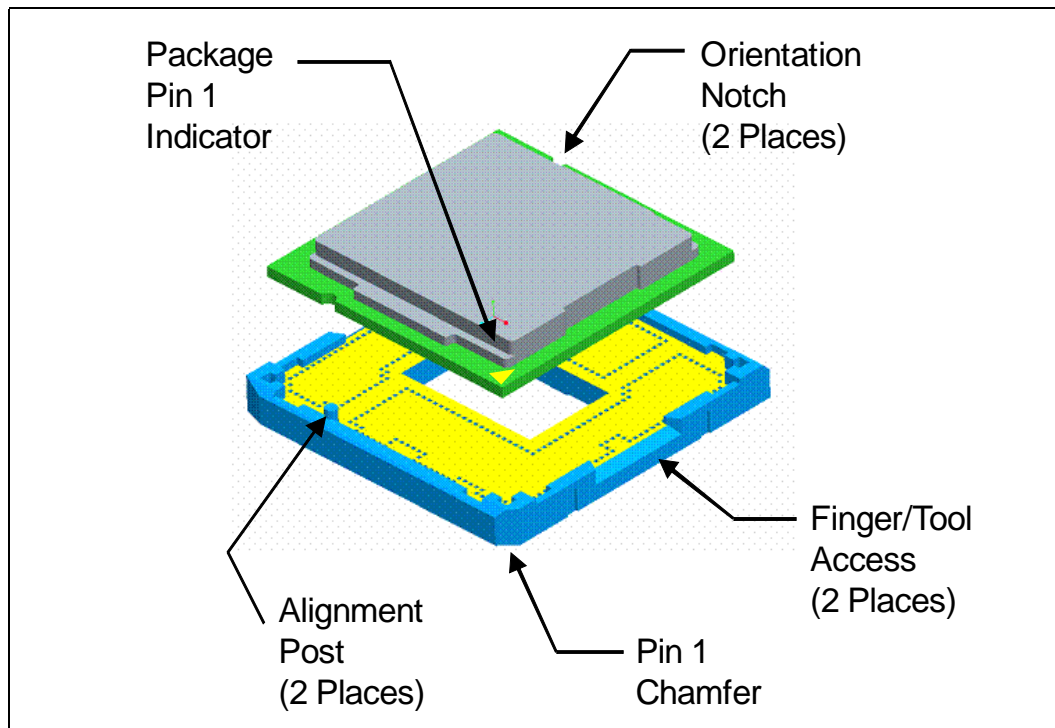
3.4 Package Installation / Removal

As indicated in [Figure 3-7](#), access is provided to facilitate manual installation and removal of the package.

To assist in package orientation and alignment with the socket:

- The package Pin 1 triangle and the socket Pin 1 chamfer provide visual reference for proper orientation.
- The package substrate has orientation notches along two opposing edges of the package, offset from the centerline. The socket has two corresponding orientation posts to physically prevent mis-orientation of the package. These orientation features also provide initial rough alignment of package to socket.
- The socket has alignment walls at the four corners to provide final alignment of the package.

Figure 3-7. Package Installation / Removal Features



3.4.1 Socket Standoffs and Package Seating Plane

Standoffs on the bottom of the socket base establish the minimum socket height after solder reflow and are specified in [Appendix C](#).

Similarly, a seating plane on the top-side of the socket establishes the minimum package height. See [Section 5.2](#) for the calculated IHS height above the motherboard.

3.5 Durability

The socket must withstand 20 cycles of processor insertion and removal. The max chain contact resistance from [Table 5-4](#) must be met when mated in the 1st and 20th cycles.

The socket Pick and Place cover must withstand 15 cycles of insertion and removal.



3.6 Markings

There are three markings on the socket:

- LGA1156: Font type is Helvetica Bold - minimum 6 point (2.125 mm).
- Manufacturer's insignia (font size at supplier's discretion).
- Lot identification code (allows traceability of manufacturing date and location).

All markings must withstand 260°C for 40 seconds (typical reflow/rework profile) without degrading, and must be visible after the socket is mounted on the motherboard.

LGA1156 and the manufacturer's insignia are molded or laser marked on the side wall.

3.7 Component Insertion Forces

Any actuation must meet or exceed SEMI S8-95 Safety Guidelines for Ergonomics/ Human Factors Engineering of Semiconductor Manufacturing Equipment, example Table R2-7 (Maximum Grip Forces). The socket must be designed so that it requires no force to insert the package into the socket.

3.8 Socket Size

Socket information needed for motherboard design is given in [Appendix C](#).

This information should be used in conjunction with the reference motherboard keep-out drawings provided in [Appendix B](#) to ensure compatibility with the reference thermal mechanical components.







4 Independent Loading Mechanism (ILM)

The Independent Loading Mechanism (ILM) provides the force needed to seat the 1156-LGA land package onto the socket contacts. The ILM is physically separate from the socket body. The assembly of the ILM to the board is expected to occur after wave solder. The exact assembly location is dependent on manufacturing preference and test flow.

The ILM has two critical functions – deliver the force to seat the processor onto the socket contacts and distribute the resulting compressive load evenly through the socket solder joints.

The mechanical design of the ILM is integral to the overall functionality of the LGA1156 socket. Intel performs detailed studies on integration of processor package, socket and ILM as a system. These studies directly impact the design of the ILM. The Intel reference ILM will be “build to print” from Intel controlled drawings. Intel recommends using the Intel Reference ILM. Custom non-Intel ILM designs do not benefit from Intel's detailed studies and may not incorporate critical design parameters.

Note: There is a single ILM design for the LGA1155 socket and LGA1156 socket.

4.1 Design Concept

The ILM consists of two assemblies that will be procured as a set from the enabled vendors. These two components are ILM assembly and back plate. To secure the two assemblies, two types of fasteners are required a pair (2) of standard 6-32 thread screws and a custom 6-32 thread shoulder screw. The reference design incorporates a T-20 Torx* head fastener. The Torx* head fastener was chosen to ensure end users do not inadvertently remove the ILM assembly and for consistency with the LGA1366 socket ILM. The Torx* head fastener is also less susceptible to driver slippage. Once assembled, the ILM is not required to be removed to install / remove the motherboard from a chassis.

4.1.1 ILM Assembly Design Overview

The ILM assembly consists of 4 major pieces – ILM cover, load lever, load plate, and the hinge frame assembly.

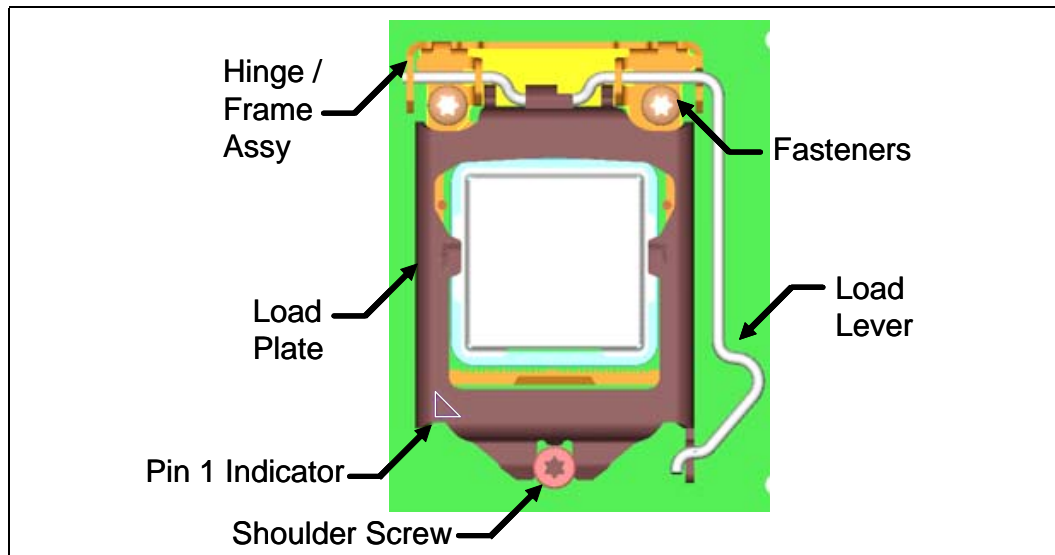
All of the pieces in the ILM assembly except the hinge frame and the screws used to attach the back plate are fabricated from stainless steel. The hinge frame is plated. The frame provides the hinge locations for the load lever and load plate. An insulator is pre-applied to the bottom surface of the hinge frame.

The ILM assembly design ensures that once assembled to the back plate the only features touching the board are the shoulder screw and the insulated hinge frame assembly. The nominal gap of the load plate to the board is ~1 mm.

When closed, the load plate applies two point loads onto the IHS at the “dimpled” features shown in Figure 4-1. The reaction force from closing the load plate is transmitted to the hinge frame assembly and through the fasteners to the back plate. Some of the load is passed through the socket body to the board inducing a slight compression on the solder joints.

A pin 1 indicator will be marked on the ILM assembly.

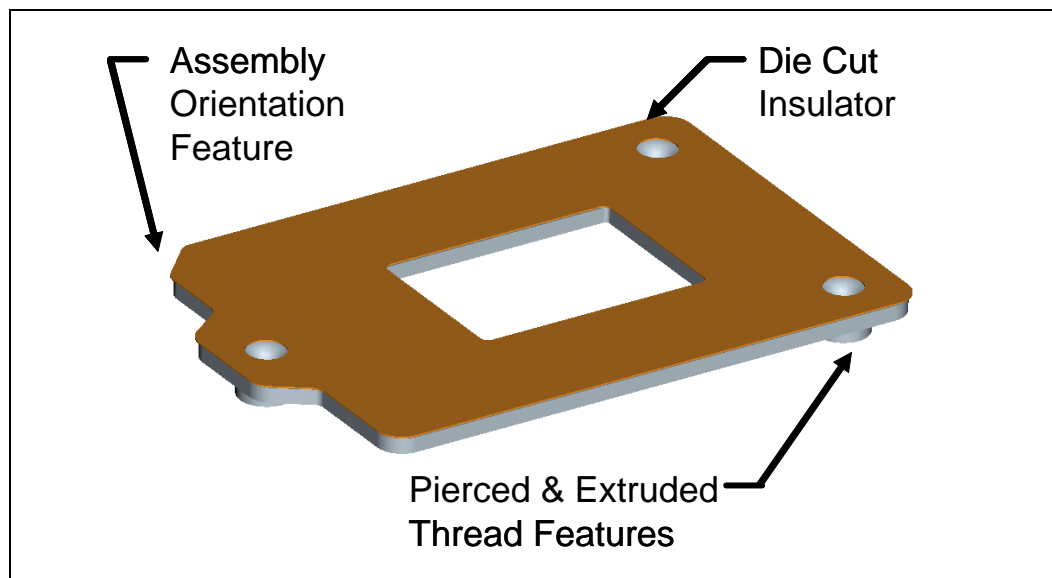
Figure 4-1. ILM Assembly with Installed Processor



4.1.2 ILM Back Plate Design Overview

The back plate is a flat steel back plate with pierced and extruded features for ILM attach. A clearance hole is located at the center of the plate to allow access to test points and backside capacitors if required. An insulator is pre-applied. A notch is placed in one corner to assist in orienting the back plate during assembly.

Note: When reworking a BGA component or the socket that the heatsink, battery, ILM and ILM Back Plate are removed prior to rework. The ILM back plate should also be removed when reworking through hole mounted components in a mini-wave or solder pot). The maximum temperature for the pre-applied insulator on the ILM is approximately 106 °C.

Figure 4-2. Back Plate

4.1.3 Shoulder Screw and Fasteners Design Overview

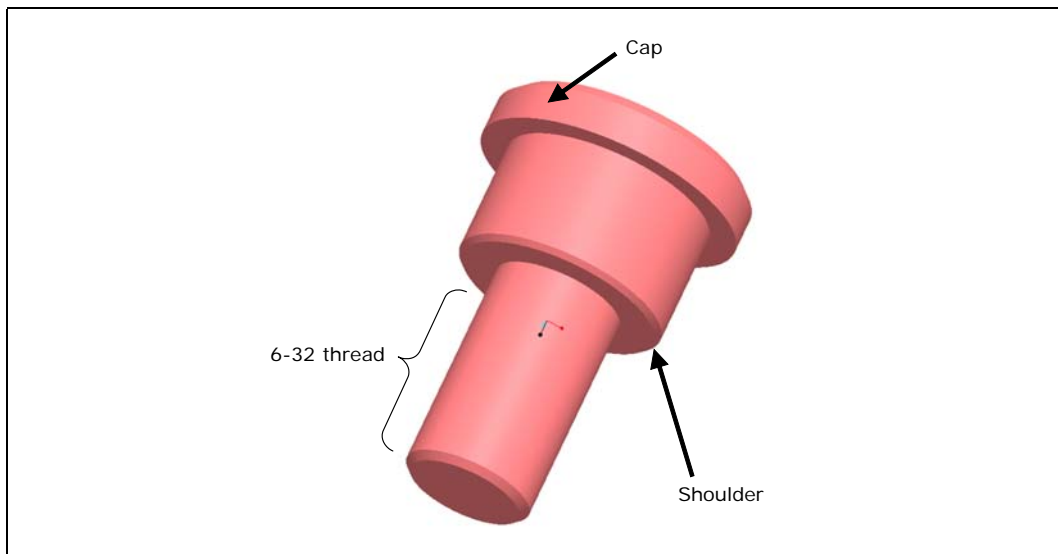
The shoulder screw is fabricated from carbonized steel rod. The shoulder height and diameter are integral to the mechanical performance of the ILM. The diameter provides alignment of the load plate. The height of the shoulder ensures the proper loading of the IHS to seat the processor on the socket contacts. The design assumes the shoulder screw has a minimum yield strength of 235 MPa.

A dimensioned drawing of the shoulder screw is available for local sourcing of this component. Please refer to [Figure 4-3](#) for the custom 6-32 thread shoulder screw drawing.

The standard fasteners can be sourced locally. The design assumes this fastener has a minimum yield strength of 235 MPa. Please refer to [Figure 4-3](#) for the standard 6-32 thread fasteners drawing.

Note: The reference design incorporates a T-20 Torx* head fastener. The Torx* head fastener was chosen to ensure end users do not inadvertently remove the ILM assembly and for consistency with the LGA1366 socket ILM.

Figure 4-3. Shoulder Screw



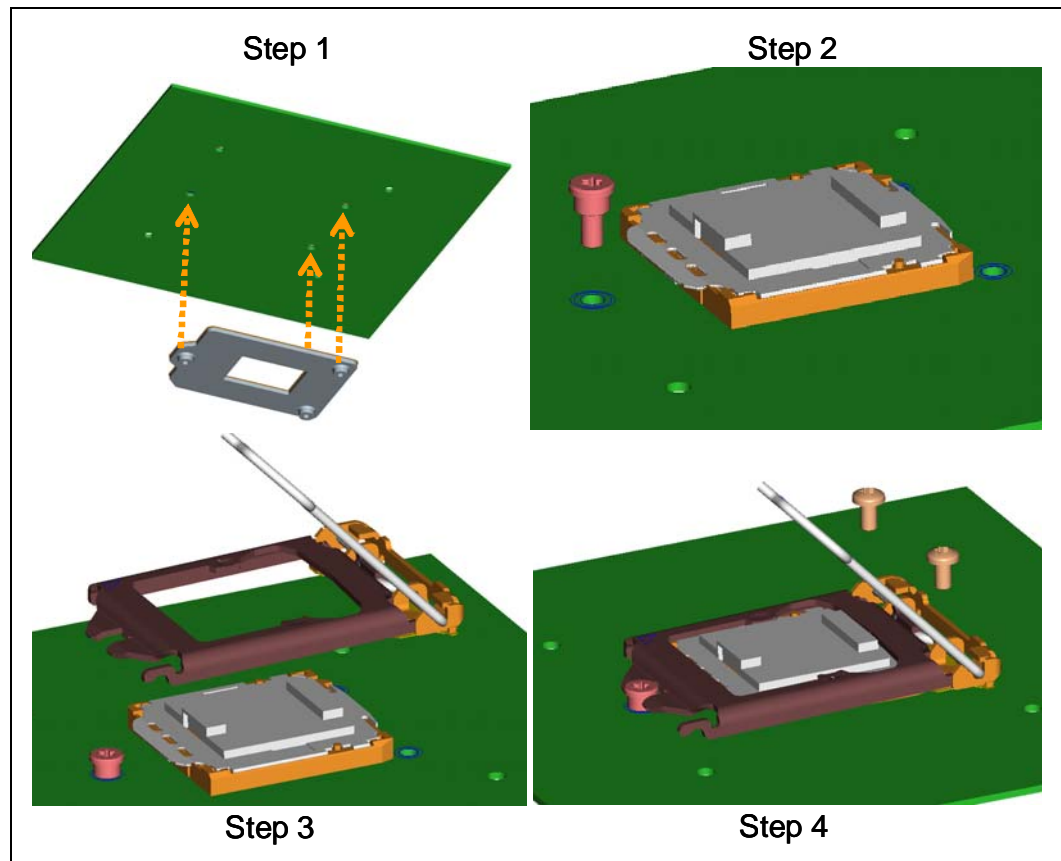
4.2 Assembly of ILM to a Motherboard

The ILM design allows a bottoms up assembly of the components to the board. See [Figure 4-4](#) for step by step assembly sequence.

1. Place the back plate in a fixture. The motherboard is aligned with the fixture.
2. Install the shoulder screw in the single hole near Pin 1 of the socket. Torque to a minimum and recommended 8 inch-pounds, but not to exceed 10 inch-pounds.
3. Align and place the ILM assembly over the socket.
4. Install two (2) 6-32 fasteners. Torque to a minimum and recommended 8 inch-pounds, but not to exceed 10 inch-pounds.

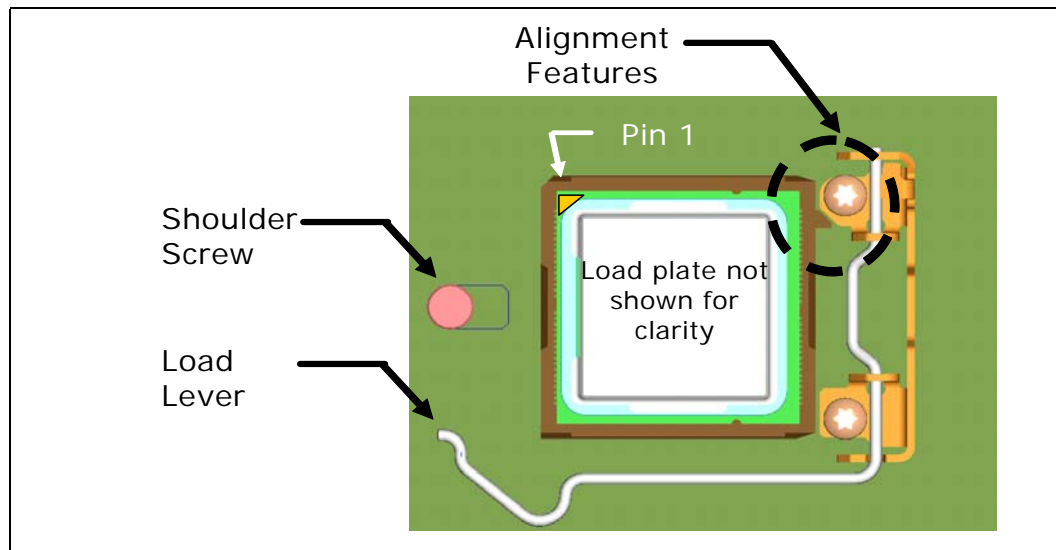
The thread length of the shoulder screw accommodates a nominal board thicknesses of 0.062".

Figure 4-4. ILM Assembly



As indicated in [Figure 4-5](#), the shoulder screw, socket protrusion and ILM key features prevent 180 degree rotation of ILM cover assembly with respect to socket. The result is a specific Pin 1 orientation with respect to ILM lever.

Figure 4-5. Pin1 and ILM Lever



4.3 ILM Interchangeability

ILM assembly and ILM back plate built from the Intel controlled drawings are intended to be interchangeable. Interchangeability is defined as an ILM from Vendor A will demonstrate acceptable manufacturability and reliability with a socket body from Vendor A, B, or C. ILM assembly and ILM back plate from all vendors are also interchangeable.

The ILM are an integral part of the socket validation testing. ILMs from each vendor will be matrix tested with the socket bodies from each of the current vendors. The tests would include manufacturability, bake, and thermal cycling.

See [Appendix A](#) for vendor part numbers that were tested.

Note: ILMs that are not compliant to the Intel controlled ILM drawings can not be assured to be interchangeable.

4.4 Markings

There are four markings on the ILM:

- 115XLM: Font type is Helvetica Bold - minimum 6 point (2.125 mm).
- Manufacturer's insignia (font size at supplier's discretion).
- Lot identification code (allows traceability of manufacturing date and location).
- Pin 1 indicator on the load plate.

All markings must be visible after the ILM is assembled on the motherboard.

115XLM and the manufacturer's insignia can be ink stamped or laser marked on the side wall.



4.5 ILM Cover

Intel has developed an ILM Cover that will snap onto the ILM for the LGA115x socket family. The ILM cover is intended to reduce the potential for socket contact damage from operator and customer fingers being close to the socket contacts to remove or install the pick and place cap. The ILM Cover concept is shown in [Figure 4-6](#).

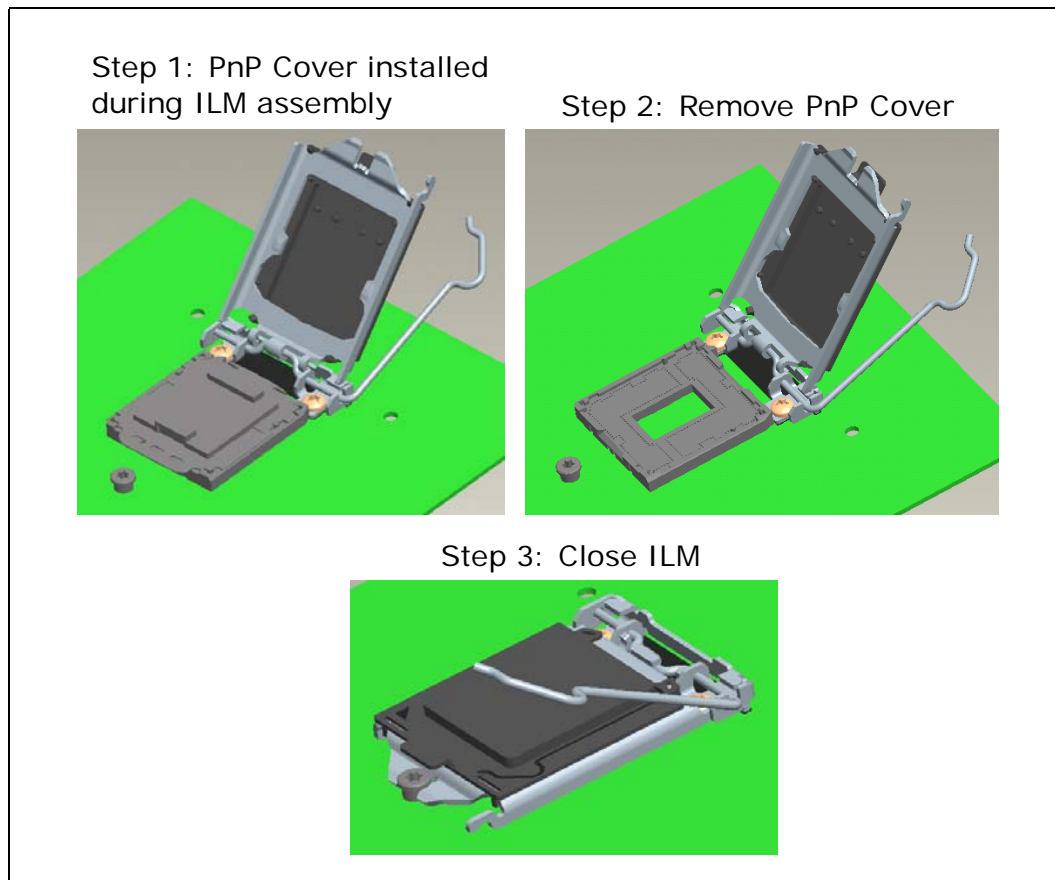
The ILM Cover is intended to be used in place of the pick and place cover once the ILM is assembled to the motherboard. The ILM will be offered with the ILM Cover pre-assembled as well as offered as a discrete component.

ILM Cover features:

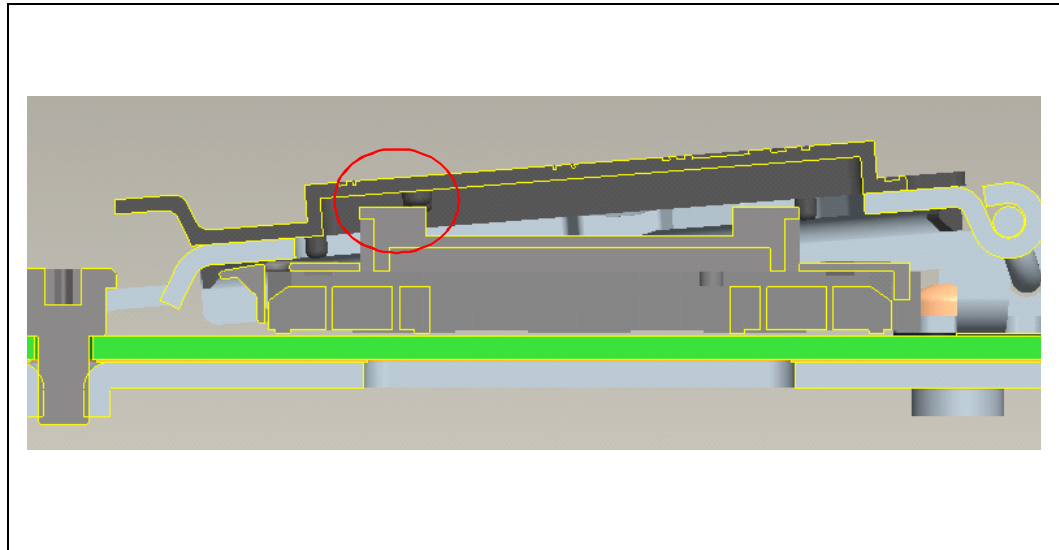
- Pre-assembled by the ILM vendors to the ILM load plate. It will also be offered as a discrete component.
- The ILM cover will pop off if a processor is installed in the socket, and the ILM Cover and ILM are from the same manufacturer.
- ILM Cover can be installed while the ILM is open.
- Maintain inter-changeability between validated ILM vendors for LGA115x socket, with the exception noted below¹.
- The ILM cover for the LGA115x socket will have a flammability rating of V-2 per UL 60950-1.

Note: The ILM Cover pop off feature is not supported if the ILM Covers are interchanged on different vendor's ILMs.

Figure 4-6. ILM Cover



As indicated in [Figure 4-6](#), the pick and place cover should remain installed during ILM assembly to the motherboard. After assembly, the pick and place cover is removed, the ILM Cover installed and the ILM mechanism closed. The ILM Cover is designed to pop off if the pick and place cover is accidentally left in place and the ILM closed with the ILM Cover installed. This is shown in [Figure 4-7](#).

Figure 4-7. ILM Cover and PnP Cover Interference

As indicated in [Figure 4-7](#), the pick and place cover cannot remain in place and used in conjunction with the ILM Cover. The ILM Cover is designed to interfere and pop off if the pick and place cover is unintentionally left in place. The ILM cover will also interfere and pop off if the ILM is closed with a processor in place in the socket.

§





5 LGA1156 Socket and ILM Electrical, Mechanical, and Environmental Specifications

This chapter describes the electrical, mechanical, and environmental specifications for the LGA1156 socket and the Independent Loading Mechanism.

5.1 Component Mass

Table 5-1. Socket Component Mass

Component	Mass
Socket Body, Contacts and PnP Cover	10 g
ILM without Cover	29 g
ILM Back Plate	38 g

5.2 Package/Socket Stackup Height

Table 5-2 provides the stackup height of a processor in the 1156-land LGA package and LGA1156 socket with the ILM closed and the processor fully seated in the socket.

Table 5-2. 1156-land Package and LGA1156 Socket Stackup Height

Component	Stackup Height	Note
Integrated Stackup Height (mm) From Top of Board to Top of IHS	7.781 ± 0.335 mm	2
Socket Nominal Seating Plane Height	3.4 ± 0.2 mm	1
Package Nominal Thickness (lands to top of IHS)	4.381 ± 0.269 mm	1

Notes:

- This data is provided for information only, and should be derived from: (a) the height of the socket seating plane above the motherboard after reflow, given in [Appendix C](#), (b) the height of the package, from the package seating plane to the top of the IHS, and accounting for its nominal variation and tolerances that are given in the corresponding processor datasheet.
- The integrated stackup height value is a RSS calculation based on current and planned processors that will use the ILM design.



5.3 Socket Maximum Temperature

The power dissipated within the socket is a function of the current at the pin level and the effective pin resistance. The key temperature limit for the LGA1156 socket is:

- Socket contact interface with package < 100 °C.

Caution: Temperature can have a role in influencing other fail mechanisms as well. Hence, customers need to ensure, based on their expected use condition for the product, that the temperature does not exceed the target for any other fail mechanisms of interest.

5.4 Loading Specifications

The socket will be tested against the conditions listed in [Chapter 9](#) with heatsink and the ILM attached, under the loading conditions outlined in this section.

[Table 5-3](#) provides load specifications for the LGA1156 socket with the ILM installed. The maximum limits should not be exceeded during heatsink assembly, shipping conditions, or standard use condition. Exceeding these limits during test may result in component failure. The socket body should not be used as a mechanical reference or load-bearing surface for thermal solutions.

Table 5-3. Socket & ILM Mechanical Specifications

Parameter	Min	Max	Notes
ILM static compressive load on processor IHS	311 N [70 lbf]	600 N [135 lbf]	3, 4, 7, 8
Heatsink static compressive load	0 N [0 lbf]	222 N [50 lbf]	1, 2, 3
Total static compressive Load (ILM plus Heatsink)	311 N [70 lbf]	822 N [185 lbf]	3, 4, 7, 8
Dynamic Compressive Load (with heatsink installed)	N/A	712 N [160 lbf]	1, 3, 5, 6
Pick & Place cover insertion force	N/A	10.2 N [2.3 lbf]	-
Pick & Place cover removal force	2.2N [0.5 lbf]	7.56 N [1.7 lbf]	9
Load lever actuation force	N/A	20.9 N [4.7 lbf] in the vertical direction 10.2 N [2.3 lbf] in the lateral direction.	-
Maximum heatsink mass	N/A	500g	10

Notes:

1. These specifications apply to uniform compressive loading in a direction perpendicular to the IHS top surface.
2. This is the minimum and maximum static force that can be applied by the heatsink and its retention solution to maintain the heatsink to IHS interface. This does not imply the Intel reference TIM is validated to these limits.
3. Loading limits are for the LGA1156 socket.
4. This minimum limit defines the static compressive force required to electrically seat the processor onto the socket contacts. The minimum load is a beginning of life load.
5. Dynamic loading is defined as a load a 4.3 m/s [170 in/s] minimum velocity change average load superimposed on the static load requirement.
6. Test condition used a heatsink mass of 500gm [1.102 lb] with 50 g acceleration (table input) and an assumed 2X Dynamic Acceleration Factor (DAF). The dynamic portion of this specification in the product application can have flexibility in specific values. The ultimate product of mass times acceleration plus static heatsink load should not exceed this limit.
7. The maximum BOL value and must not be exceeded at any point in the product life.
8. The minimum value is a beginning of life loading requirement based on load degradation over time.
9. The maximum removal force is the flick up removal upwards thumb force (measured at 45°), not applicable to SMT operation for system assembly. Only the minimum removal force is applicable to vertical removal in SMT operation for system assembly.



10. The maximum heatsink mass includes the core, extrusion, fan and fasteners. This mass limit is evaluated using the reference heatsink attach to the PCB.

5.5 Electrical Requirements

LGA1156 socket electrical requirements are measured from the socket-seating plane of the processor to the component side of the socket PCB to which it is attached. All specifications are maximum values (unless otherwise stated) for a single socket contact, but includes effects of adjacent contacts where indicated.

Table 5-4. Electrical Requirements for LGA1156 Socket

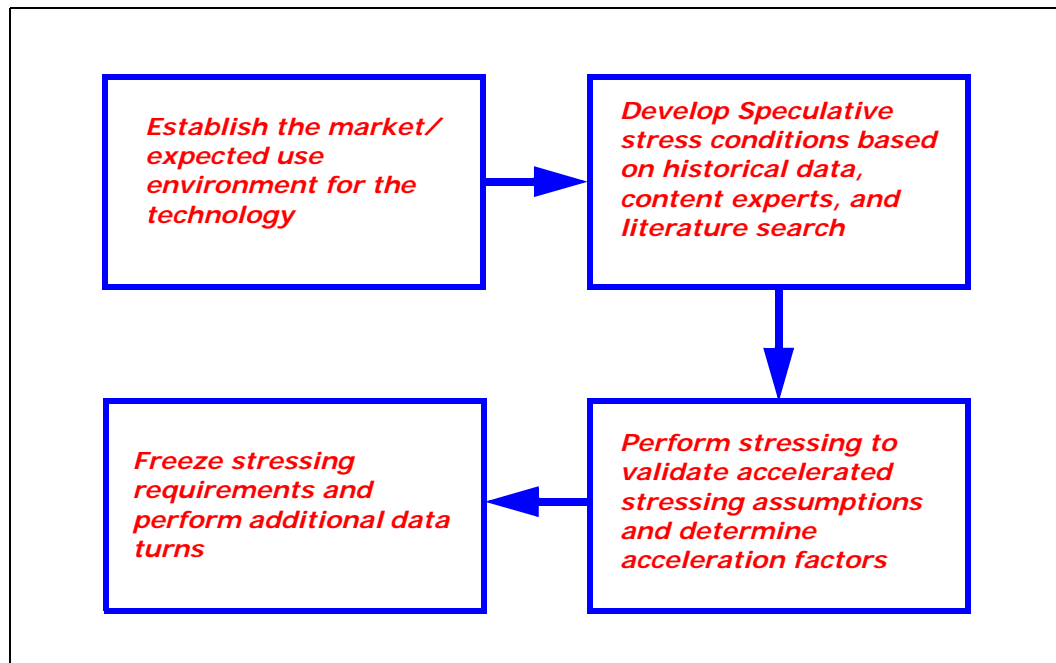
Parameter	Value	Comment
Mated loop inductance, Loop	<3.6nH	The inductance calculated for two contacts, considering one forward conductor and one return conductor. These values must be satisfied at the worst-case height of the socket.
Socket Average Contact Resistance (EOL)	19 mOhm	The socket average contact resistance target is calculated from the following equation: $\text{sum (Ni X LLCRI)} / \text{sum (Ni)}$ <ul style="list-style-type: none"> • LLCRI is the chain resistance defined as the resistance of each chain minus resistance of shorting bars divided by number of lands in the daisy chain. • Ni is the number of contacts within a chain. • I is the number of daisy chain, ranging from 1 to 119 (total number of daisy chains). The specification listed is at room temperature and has to be satisfied at all time.
Max Individual Contact Resistance (EOL)	100 mOhm	The specification listed is at room temperature and has to be satisfied at all time. Socket Contact Resistance: The resistance of the socket contact, solderball, and interface resistance to the interposer land; gaps included.
Bulk Resistance Increase	$\leq 3 \text{ m}\Omega$	The bulk resistance increase per contact from 25 °C to 100 °C.
Dielectric Withstand Voltage	360 Volts RMS	
Insulation Resistance	800 M Ω	

5.6 Environmental Requirements

Design, including materials, shall be consistent with the manufacture of units that meet the following environmental reference points.

The reliability targets in this section are based on the expected field use environment for these products. The test sequence for new sockets will be developed using the knowledge-based reliability evaluation methodology, which is acceleration factor dependent. A simplified process flow of this methodology can be seen in [Figure 5-1](#).

Figure 5-1. Flow Chart of Knowledge-Based Reliability Evaluation Methodology



A detailed description of this methodology can be found at: <ftp://download.intel.com/technology/itj/q32000/pdf/reliability.pdf>.

§



6 Thermal Specifications

The processor requires a thermal solution to maintain temperatures within its operating limits. Any attempt to operate the processor outside these operating limits may result in permanent damage to the processor and potentially other components within the system. Maintaining the proper thermal environment is key to reliable, long-term system operation.

A complete solution includes both component and system level thermal management features. Component level thermal solutions can include active or passive heatsinks attached to the processor integrated heat spreader (IHS).

This chapter provides data necessary for developing a complete thermal solution. For more information on ATX reference thermal solution design, refer to [Chapter 8](#).

6.1 Thermal Specifications

To allow the optimal operation and long-term reliability of Intel processor-based systems, the processor must remain within the minimum and maximum case temperature (T_{CASE}) specifications as defined by the applicable thermal profile. Thermal solutions not designed to provide this level of thermal capability may affect the long-term reliability of the processor and system. For more details on thermal solution design, refer to the [Chapter 8](#).

The processors implement a methodology for managing processor temperatures which is intended to support acoustic noise reduction through fan speed control and to assure processor reliability. Selection of the appropriate fan speed is based on the relative temperature data reported by the processor's Digital Temperature Sensor (DTS). The DTS can be read using the Platform Environment Control Interface (PECI) as described in [Section 6.3](#). Alternatively, when Peci is monitored by the PCH, the processor temperature can be read from the PCH using the SMBus protocol. The temperature reported over Peci is always a negative value and represents a delta below the onset of thermal control circuit (TCC) activation, as indicated by PROCHOT# (see [Section 6.2](#), Processor Thermal Features). Systems that implement fan speed control must be designed to use this data. Systems that do not alter the fan speed only need to ensure the case temperature meets the thermal profile specifications.

A single integer change in the Peci value corresponds to approximately 1 °C change in processor temperature. Although each processor's DTS is factory calibrated, the accuracy of the DTS will vary from part to part and may also vary slightly with temperature and voltage. In general, each integer change in Peci should equal a temperature change between 0.9 °C and 1.1 °C.

Analysis indicates that real applications are unlikely to cause the processor to consume maximum power dissipation for sustained time periods. Intel recommends that complete thermal solution designs target the Thermal Design Power (TDP), instead of the maximum processor power consumption. The Adaptive Thermal Monitor feature is intended to help protect the processor in the event that an application exceeds the TDP recommendation for a sustained time period. For more details on this feature, refer to [Section 6.2](#). To ensure maximum flexibility for future processors, systems should be designed to the Thermal Solution Capability guidelines, even if a processor with lower power dissipation is currently planned.



Table 6-1. Intel® Core™ i5-600, i3-500 Desktop Processor Series, Intel® Pentium® Desktop Processor 6000 Series Processor Thermal Specifications

Product	Guidelines ⁸	Max Power Package C1E (W) ^{1,2,5,9}	Max Power Package C3 (W) ^{1,3,5,9}	Max Power Package C6 (W) ^{1,4,5,9}	TTV Thermal Design Power (W) ^{6,7}	Min TCASE (°C)	Maximum TTV TCASE (°C)	Notes
Intel® Core™ i5-600 desktop processor series (87W)	2009B (09B)	22	15	6	87	5	Figure 6-1 & Table 6-2	7
Intel® Core™ i5-600, i3-500 desktop processor series and Intel® Pentium® desktop processor 6000 series (73W)	2009A (09A)	22	15	6	73	5	Figure 6-2 & Table 6-3	7

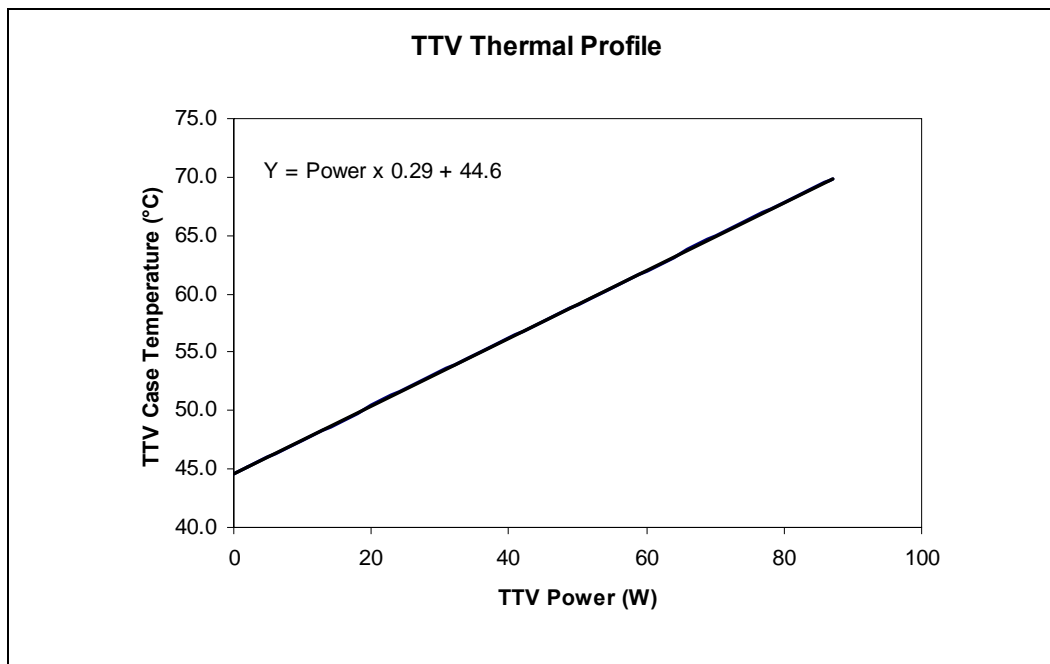
Notes:

- The package C-state power is the worst case power in the system configured as follows:
 - Memory configured for DDR3 1333 and populated with 2 DIMM per channel.
 - DMI and PCIe links are at L1.
 - For the Intel® Core™ i5-600, i3-500 desktop processor series and Intel® Pentium® desktop processor 6000 series, the graphics engine is in Render Standby (RS2) -RC6.
- Specification at DTS = -50 and minimum voltage loadline.
- Specification at DTS = -50 and minimum voltage loadline.
- Specification at DTS = -65 and minimum voltage loadline.
- These DTS values (in Notes 2-4) are based on the TCC Activation MSR having a value of 100, see [Section 6.2.1](#).
- These values are specified at V_{CC_MAX} and V_{NOM} for all other voltage rails for all processor frequencies. Systems must be designed to ensure the processor is not to be subjected to any static V_{CC} and I_{CC} combination wherein V_{CC} exceeds V_{CC_MAX} at specified I_{CC}. Refer to the loadline specifications in the datasheet.
- Thermal Design Power (TDP) should be used for processor thermal solution design targets. TDP is not the maximum power that the processor can dissipate. TDP is measured at DTS = -1. TDP is achieved with the Memory configured for DDR3 1333 and 2 DIMMs per channel.
- The 2009B (09B) guidelines provide a design target for meeting all planned processor frequency requirements. The 2009B (09B) is equivalent to the thermal requirements for the Intel® Core™ 2 Quad Q9000 processor series. The 2009A (09A) is equivalent to the thermal requirements for the Intel® Core™ 2 Duo E8000 processor series. Reuse of those thermal solutions is recommended with the updated mechanical attach to straddle the LGA1156 socket.
- Not 100% tested. Specified by design characterization.



6.1.1 Intel® Core™ i5-600 Desktop Processor Series (87W) Thermal Profile

Figure 6-1. Thermal Test Vehicle Thermal Profile for Intel® Core™ i5-600 Desktop Processor Series (87W)



- Notes:**
1. Please refer to Table 6-2 for discrete points that constitute the thermal profile.
 2. Refer to Chapter 8 and Chapter 9 for system and environmental implementation details.

Table 6-2. Thermal Test Vehicle Thermal Profile for Intel® Core™ i5-600 Desktop Processor Series (87W) (Sheet 1 of 2)

Power (W)	T _{CASE_MAX} (°C)	Power (W)	T _{CASE_MAX} (°C)
0	44.6	46	57.9
2	45.2	48	58.5
4	45.8	50	59.1
6	46.3	52	59.7
8	46.9	54	60.3
10	47.5	56	60.8
12	48.1	58	61.4
14	48.7	60	62.0
16	49.2	62	62.6
18	49.8	64	63.2
20	50.4	66	63.7
22	51.0	68	64.3
24	51.6	70	64.9
26	52.1	72	65.5
28	52.7	74	66.1
30	53.3	76	66.6
32	53.9	78	67.2

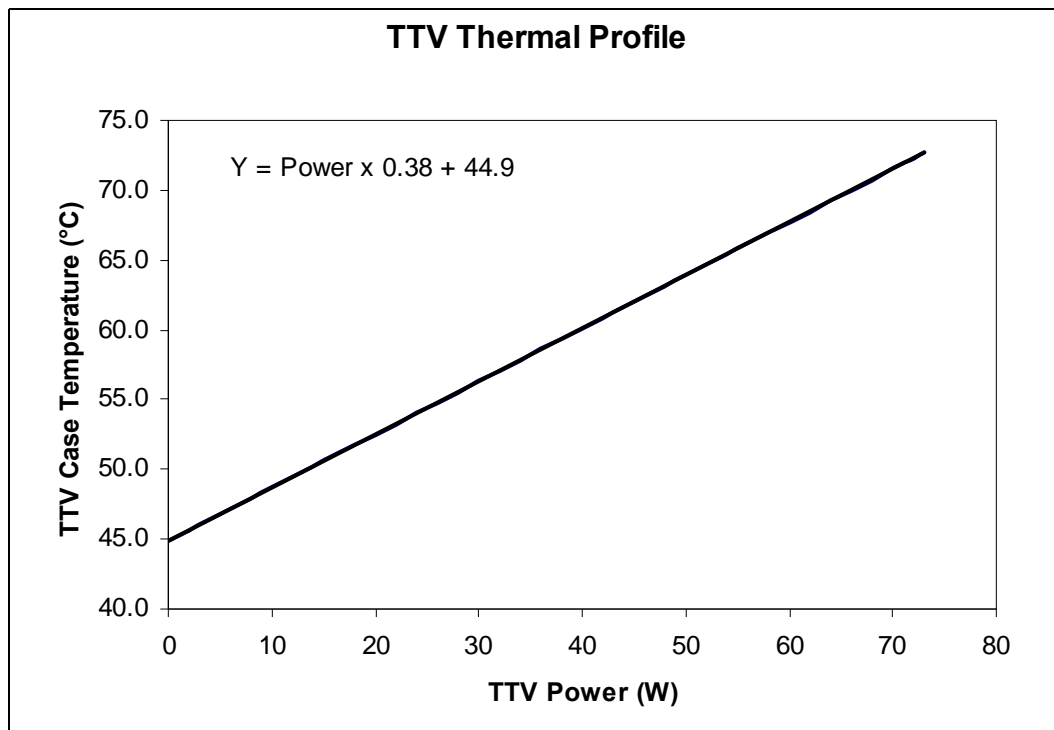


Table 6-2. Thermal Test Vehicle Thermal Profile for Intel® Core™ i5-600 Desktop Processor Series (87W) (Sheet 2 of 2)

Power (W)	T _{CASE_MAX} (°C)	Power (W)	T _{CASE_MAX} (°C)
34	54.5	80	67.8
36	55.0	82	68.4
38	55.6	84	69.0
40	56.2	86	69.5
42	56.8	87	69.8
44	57.4		

6.1.2 Intel® Core™ i5-600, i3-500 Desktop Processor Series and Intel® Pentium® Desktop Processor 6000 Series (73W) Thermal Profile

Figure 6-2. Thermal Test Vehicle Thermal Profile for Intel® Core™ i5-600, i3-500 Desktop Processor Series, Intel® Pentium® Desktop Processor 6000 Series (73W)



Notes:

1. Refer to Table 6-3 for discrete points that constitute the thermal profile.
2. Refer to Chapter 8 and Chapter 9 for system and environmental implementation details.



Table 6-3. Thermal Test Vehicle Thermal Profile for Intel® Core™ i5-600, i3-500 Desktop Processor Series and Intel® Pentium® Desktop Processor 6000 Series (73W)

Power (W)	T _{CASE_MAX} (°C)	Power (W)	T _{CASE_MAX} (°C)
0	44.9	38	59.3
2	45.7	40	60.1
4	46.4	42	60.9
6	47.2	44	61.6
8	47.9	46	62.4
10	48.7	48	63.1
12	49.5	50	63.9
14	50.5	52	64.7
16	51.0	54	65.4
18	51.7	56	66.2
20	52.5	58	66.9
22	53.3	60	67.7
24	54.0	62	68.5
26	54.8	64	69.2
28	55.5	66	70.0
30	56.3	68	70.7
32	57.1	70	71.5
34	57.8	72	72.3
36	58.6	73	72.6

6.1.3 Processor Specification for Operation Where Digital Thermal Sensor Exceeds T_{CONTROL}

When the DTS value is less than T_{CONTROL}, the fan speed control algorithm can reduce the speed of the thermal solution fan. This remains the same as with the previous guidance for fan speed control.

During operation, when the DTS value is greater than T_{CONTROL}, the fan speed control algorithm must drive the fan speed to meet or exceed the target thermal solution performance (Ψ_{CA}) shown in [Table 6-4](#) for Intel® Core™ i5-600 desktop processor series (87W), and [Table 6-5](#) for the Intel® Core™ i5-600, i3-500 desktop processor series and Intel® Pentium® desktop processor 6000 series (73W). To get the full acoustic benefit of the DTS specification, ambient temperature monitoring is necessary. See [Chapter 7](#) for details on characterizing the fan speed to Ψ_{CA} and ambient temperature measurement.



Table 6-4. Thermal Solution Performance above T_{CONTROL} for Intel® Core™ i5-600 Desktop Processor Series(87W)

T _{AMBIENT} ¹	Ψ _{CA} at DTS = T _{CONTROL} ²	Ψ _{CA} at DTS = -1 ³
44.6	0.290	0.290
44.0	0.301	0.297
43.0	0.320	0.308
42.0	0.338	0.320
41.0	0.357	0.331
40.0	0.375	0.343
39.0	0.394	0.354
38.0	0.412	0.366
37.0	0.431	0.377
36.0	0.449	0.389
35.0	0.468	0.400
34.0	0.487	0.411
33.0	0.505	0.423
32.0	0.524	0.434
31.0	0.542	0.446
30.0	0.561	0.457
29.0	0.579	0.469
28.0	0.598	0.480
27.0	0.616	0.492
26.0	0.635	0.503
25.0	0.653	0.515
24.0	0.672	0.526
23.0	0.690	0.538
22.0	0.709	0.549
21.0	0.728	0.561
20.0	0.746	0.572

Notes:

1. The ambient temperature is measured at the inlet to the processor thermal solution.
2. This column can be expressed as a function of T_{AMBIENT} by the following equation:

$$\Psi_{CA} = 0.29 + (44.6 - T_{AMBIENT}) \times 0.0185$$
3. This column can be expressed as a function of T_{AMBIENT} by the following equation:

$$\Psi_{CA} = 0.29 + (44.6 - T_{AMBIENT}) \times 0.0115$$

Table 6-5. Thermal Solution Performance above T_{CONTROL} for Intel® Core™ i5-600, i3-500 Desktop Processor Series, Intel® Pentium® Desktop Processor 6000 Series (Sheet 1 of 2)(73W)

T _{AMBIENT} ¹	Ψ _{CA} at DTS = T _{CONTROL} ²	Ψ _{CA} at DTS = -1 ³
44.9	0.380	0.379
44.0	0.400	0.392
43.0	0.422	0.405
42.0	0.444	0.419
41.0	0.466	0.433
40.0	0.488	0.447
39.0	0.510	0.460



Table 6-5. Thermal Solution Performance above $T_{CONTROL}$ for Intel® Core™ i5-600, i3-500 Desktop Processor Series, Intel® Pentium® Desktop Processor 6000 Series (Sheet 2 of 2)(73W)

$T_{AMBIENT}^1$	Ψ_{CA} at DTS = $T_{CONTROL}^2$	Ψ_{CA} at DTS = -1 ³
38.0	0.532	0.474
37.0	0.555	0.488
36.0	0.577	0.501
35.0	0.599	0.515
34.0	0.621	0.529
33.0	0.643	0.542
32.0	0.665	0.556
31.0	0.687	0.570
30.0	0.709	0.584
29.0	0.731	0.597
28.0	0.753	0.611
27.0	0.775	0.625
26.0	0.798	0.638
25.0	0.820	0.652
24.0	0.842	0.666
23.0	0.864	0.679
22.0	0.886	0.693
21.0	0.908	0.707
20.0	0.930	0.721

Notes:

- The ambient temperature is measured at the inlet to the processor thermal solution.
- This column can be expressed as a function of $T_{AMBIENT}$ by the following equation:

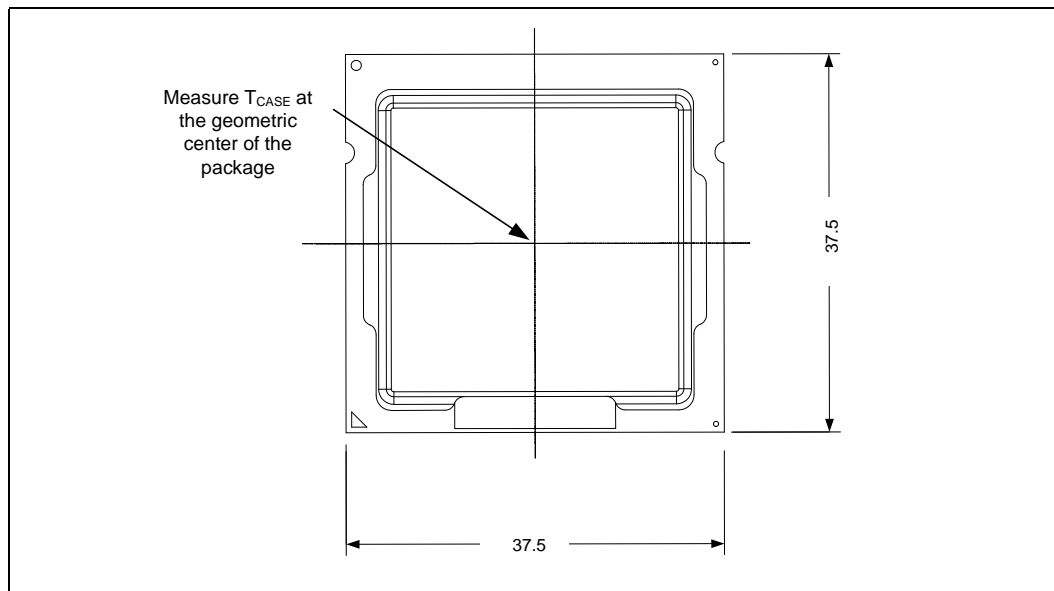
$$\Psi_{CA} = 0.38 + (44.9 - T_{AMBIENT}) \times 0.0221$$
- This column can be expressed as a function of $T_{AMBIENT}$ by the following equation:

$$\Psi_{CA} = 0.38 + (44.9 - T_{AMBIENT}) \times 0.0137$$

6.1.4 Thermal Metrology

The maximum TTV case temperatures ($T_{CASE-MAX}$) can be derived from the data in the appropriate TTV thermal profile earlier in this chapter. The TTV T_{CASE} is measured at the geometric top center of the TTV integrated heat spreader (IHS). [Figure 6-3](#) illustrates the location where T_{CASE} temperature measurements should be made. See [Figure B-12](#) for drawings showing the thermocouple attach to the TTV package.

Figure 6-3. TTV Case Temperature (T_{CASE}) Measurement Location



Note: The following supplier can machine the groove and attach a thermocouple to the IHS. The supplier is listed the table below as a convenience to Intel's general customers and the list may be subject to change without notice. THERM-X OF CALIFORNIA, 3200 Investment Blvd, Hayward, Ca 94545. Ernesto B Valencia +1-510-441-7566 Ext. 242 ernestov@therm-x.com. The vendor part number is XTMS1565.

6.2 Processor Thermal Features

6.2.1 Processor Temperature

A new feature in the processors is a software readable field in the IA32_TEMPERATURE_TARGET register that contains the minimum temperature at which the TCC will be activated and PROCHOT# will be asserted. The TCC activation temperature is calibrated on a part-by-part basis and normal factory variation may result in the actual TCC activation temperature being higher than the value listed in the register. TCC activation temperatures may change based on processor stepping, frequency or manufacturing efficiencies.

6.2.2 Adaptive Thermal Monitor

The Adaptive Thermal Monitor feature provides an enhanced method for controlling the processor temperature when the processor silicon exceeds the Thermal Control Circuit (TCC) activation temperature. Adaptive Thermal Monitor uses TCC activation to reduce processor power using a combination of methods. The first method (Frequency/VID control, similar to Intel® Thermal Monitor 2 (TM2) in previous generation processors) involves the processor reducing its operating frequency (using the core ratio multiplier) and input voltage (using the VID signals). This combination of lower frequency and VID results in a reduction of the processor power consumption. The second method (clock modulation, known as Intel® Thermal Monitor 1 or TM1 in previous generation processors) reduces power consumption by modulating (starting and stopping) the internal processor core clocks. The processor intelligently selects the appropriate TCC



method to use on a dynamic basis. BIOS is not required to select a specific method (as with previous-generation processors supporting TM1 or TM2). The temperature at which Adaptive Thermal Monitor activates the Thermal Control Circuit is factory calibrated and is not user configurable. Snooping and interrupt processing are performed in the normal manner while the TCC is active.

When the TCC activation temperature is reached, the processor will initiate TM2 in attempt to reduce its temperature. If TM2 is unable to reduce the processor temperature then TM1 will be also be activated. TM1 and TM2 will work together (clocks will be modulated at the lowest frequency ratio) to reduce power dissipation and temperature.

With a properly designed and characterized thermal solution, it is anticipated that the TCC would only be activated for very short periods of time when running the most power intensive applications. The processor performance impact due to these brief periods of TCC activation is expected to be so minor that it would be immeasurable. An under-designed thermal solution that is not able to prevent excessive activation of the TCC in the anticipated ambient environment may cause a noticeable performance loss, and in some cases may result in a T_{CASE} that exceeds the specified maximum temperature and may affect the long-term reliability of the processor. In addition, a thermal solution that is significantly under-designed may not be capable of cooling the processor even when the TCC is active continuously. Refer to the appropriate Thermal Mechanical Design Guidelines for information on designing a compliant thermal solution.

The Intel Thermal Monitor does not require any additional hardware, software drivers, or interrupt handling routines. The following sections provide more details on the different TCC mechanisms used by the processor.

6.2.2.1 Frequency/VID Control

When the Digital Temperature Sensor (DTS) reaches a value of 0 (DTS temperatures reported using PECl may not equal zero when PROCHOT# is activated, see [Section 6.3](#) for further details), the TCC will be activated and the PROCHOT# signal will be asserted. This indicates the processors' temperature has met or exceeded the factory calibrated trip temperature and it will take action to reduce the temperature.

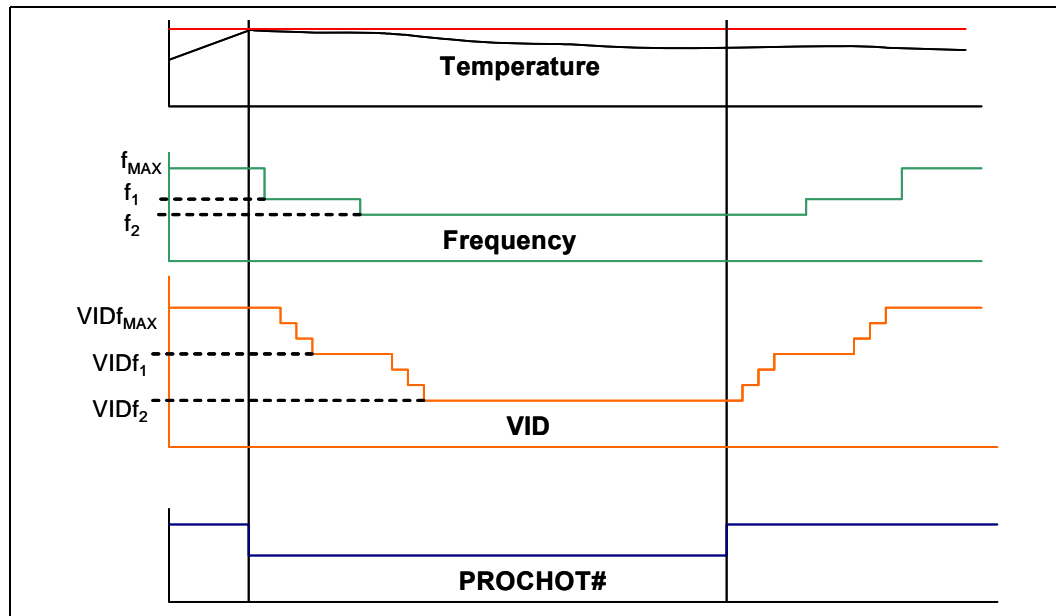
Upon activation of the TCC, the processor will stop the core clocks, reduce the core ratio multiplier by 1 ratio, and restart the clocks. All processor activity stops during this frequency transition that occurs within 2 us. Once the clocks have been restarted at the new lower frequency, processor activity resumes while the voltage requested by the VID lines is stepped down to the minimum possible for the particular frequency. Running the processor at the lower frequency and voltage will reduce power consumption and should allow the processor to cool off. If after 1 ms the processor is still too hot (the temperature has not dropped below the TCC activation point, DTS still = 0, and PROCHOT# is still active), then a second frequency and voltage transition will take place. This sequence of temperature checking and Frequency/VID reduction will continue until either the minimum frequency has been reached or the processor temperature has dropped below the TCC activation point.

If the processor temperature remains above the TCC activation point even after the minimum frequency has been reached, then clock modulation (described below) at that minimum frequency will be initiated.

There is no end user software or hardware mechanism to initiate this automated TCC activation behavior.

A small amount of hysteresis has been included to prevent rapid active/inactive transitions of the TCC when the processor temperature is near the TCC activation temperature. Once the temperature has dropped below the trip temperature, and the hysteresis timer has expired, the operating frequency and voltage transition back to the normal system operating point using the intermediate VID/frequency points. Transition of the VID code will occur first, to insure proper operation as the frequency is increased. Refer to [Table 6-4](#) for an illustration of this ordering.

Figure 6-4. Frequency and Voltage Ordering



6.2.2.2 Clock Modulation

Clock modulation is a second method of thermal control available to the processor. Clock modulation is performed by rapidly turning the clocks off and on at a duty cycle that should reduce power dissipation by about 50% (typically a 30–50% duty cycle). Clocks often will not be off for more than 32 microseconds when the TCC is active. Cycle times are independent of processor frequency. The duty cycle for the TCC, when activated by the Intel® Thermal Monitor, is factory configured and cannot be modified.

It is possible for software to initiate clock modulation with configurable duty cycles.

A small amount of hysteresis has been included to prevent rapid active/inactive transitions of the TCC when the processor temperature is near its maximum operating temperature. Once the temperature has dropped below the maximum operating temperature, and the hysteresis timer has expired, the TCC goes inactive and clock modulation ceases.

6.2.2.3 Immediate Transition to combined TM1 and TM2

As mentioned above, when the TCC is activated, the processor will sequentially step down the ratio multipliers and VIDs in an attempt to reduce the silicon temperature. If the temperature continues to increase and exceeds the TCC activation temperature by approximately 5 °C before the lowest ratio/VID combination has been reached, then the processor will immediately transition to the combined TM1/TM2 condition. The



processor will remain in this state until the temperature has dropped below the TCC activation point. Once below the TCC activation temperature, TM1 will be discontinued and TM2 will be exited by stepping up to the appropriate ratio/VID state.

6.2.2.4 Critical Temperature Flag

If TM2 is unable to reduce the processor temperature, TM1 will also be activated. TM1 and TM2 will then work together to reduce power dissipation and temperature. It is expected that only a catastrophic thermal solution failure would create a situation where both TM1 and TM2 are active.

If TM1 and TM2 have both been active for greater than 20 ms and the processor temperature has not dropped below the TCC activation point, then the Critical Temperature Flag in the IA32_THERM_STATUS MSR will be set. This flag is an indicator of a catastrophic thermal solution failure and that the processor cannot reduce its temperature. Unless immediate action is taken to resolve the failure, the processor will probably reach the Thermtrip temperature (see [Section 6.2.3 Thermtrip Signal](#)) within a short time. In order to prevent possible permanent silicon damage, Intel recommends removing power from the processor within ½ second of the Critical Temperature Flag being set.

6.2.2.5 PROCHOT# Signal

An external signal, PROCHOT# (processor hot), is asserted when the processor core temperature has exceeded its specification. If Adaptive Thermal Monitor is enabled (note it must be enabled for the processor to be operating within specification), the TCC will be active when PROCHOT# is asserted.

The processor can be configured to generate an interrupt upon the assertion or de-assertion of PROCHOT#.

Although the PROCHOT# signal is an output by default, it may be configured as bi-directional. When configured in bi-directional mode, it is either an output indicating the processor has exceeded its TCC activation temperature or it can be driven from an external source (such as a voltage regulator) to activate the TCC. The ability to activate the TCC using PROCHOT# can provide a means for thermal protection of system components.

As an output, PROCHOT# (Processor Hot) will go active when the processor temperature monitoring sensor detects that one or more cores has reached its maximum safe operating temperature. This indicates that the processor Thermal Control Circuit (TCC) has been activated, if enabled. As an input, assertion of PROCHOT# by the system will activate the TCC for all cores. TCC activation when PROCHOT# is asserted by the system will result in the processor immediately transitioning to the minimum frequency and corresponding voltage (using Freq/VID control). Clock modulation is not activated in this case. The TCC will remain active until the system de-asserts PROCHOT#.

Use of PROCHOT# in bi-directional mode can allow VR thermal designs to target maximum sustained current instead of maximum current. Systems should still provide proper cooling for the VR, and rely on PROCHOT# only as a backup in case of system cooling failure. The system thermal design should allow the power delivery circuitry to operate within its temperature specification even while the processor is operating at its Thermal Design Power.



6.2.3 THERMTRIP# Signal

Regardless of whether or not Adaptive Thermal Monitor is enabled, in the event of a catastrophic cooling failure, the processor will automatically shut down when the silicon has reached an elevated temperature. At this point, the THERMTRIP# signal will go active and stay active as described in the datasheet. THERMTRIP# activation is independent of processor activity. The temperature at which THERMTRIP# asserts is not user configurable and is not software visible.

6.3 Platform Environment Control Interface (PECI)

6.3.1 Introduction

The Platform Environment Control Interface (PECI) is a one-wire interface that provides a communication channel between Intel processor and chipset components to external monitoring devices. The processor implements a PECI interface to allow communication of processor thermal and other information to other devices on the platform. The processor provides a digital thermal sensor (DTS) for fan speed control. The DTS is calibrated at the factory to provide a digital representation of relative processor temperature. Instantaneous temperature readings from the DTS are available using the IA32_TEMPXXXX MSR; averaged DTS values are read using the PECI interface.

The PECI physical layer is a self-clocked one-wire bus that begins each bit with a driven, rising edge from an idle level near zero volts. The duration of the signal driven high depends on whether the bit value is a logic '0' or logic '1'. PECI also includes variable data transfer rate established with every message. The single wire interface provides low board routing overhead for the multiple load connections in the congested routing area near the processor and chipset components. Bus speed, error checking, and low protocol overhead provides adequate link bandwidth and reliability to transfer critical device operating conditions and configuration information.

The PECI bus offers:

- A wide speed range from 2 Kbps to 2 Mbps
- CRC check byte used to efficiently and automatically confirm accurate data delivery
- Synchronization at the beginning of every message minimizes device timing accuracy requirements.

Generic PECI specification details are out of the scope of this document. What follows is a processor-specific PECI client definition, and is largely an addendum to the PECI Network Layer and Design Recommendations sections for the PECI 2.0 specification document.

For desktop system temperature monitoring and fan speed control management purposes, the PECI 2.0 commands that are commonly implemented include Ping(), GetDIB() and GetTemp().



Table 6-6. Supported PECI Command Functions and Codes

Command Function	Supported on the processor	Note
Ping()	Yes	1
GetDIB()	Yes	1
GetTemp()	Yes	1

Note:

- Thermal management related commands supported by the processor. Common command that will be implemented for desktop system design.

6.3.2 PECI Client Capabilities

The processor PECI clients are designed to support processor thermal management.

Processor fan speed control is managed by comparing DTS temperature data against the processor-specific value stored in the static variable, T_{CONTROL} . When the DTS temperature data is less than T_{CONTROL} , the fan speed control algorithm can reduce the speed of the thermal solution fan. This remains the same as with the previous guidance for fan speed control. Refer to [Section 6.1.3](#) for guidance where the DTS temperature data exceeds T_{CONTROL} .

The DTS temperature data is delivered over PECI, in response to a GetTemp() command, and reported as a relative value to TCC activation target. The temperature data reported over PECI is always a negative value and represents a delta below the onset of thermal control circuit (TCC) activation, as indicated by PROCHOT#. Therefore, as the temperature approaches TCC activation, the value approaches zero degrees.

6.3.3 Temperature Data

6.3.3.1 Format

The temperature is formatted in a 16-bit, 2's complement value representing a number of 1/64 degrees centigrade. This format allows temperatures in a range of ± 512 °C to be reported to approximately a 0.016 °C resolution.

Figure 6-5. Temperature Sensor Data Format

MSB Upper nibble				MSB Lower nibble				LSB Upper nibble				LSB Lower nibble						
S	x	x	x		x	x	x	x		x	x	x	x		x	x	x	x
Sign	Integer Value (0-511)								Fractional Value (~0.016)									

6.3.3.2 Interpretation

The resolution of the processor's Digital Thermal Sensor (DTS) is approximately 1 °C. PECI temperatures are sent through a configurable low-pass filter prior to delivery in the GetTemp() response data. The output of this filter produces temperatures at the full 1/64 °C resolution even though the DTS itself is not this accurate.



Temperature readings from the processor are always negative in a 2's complement format, and imply an offset from the reference TCC activation temperature. As an example, assume that the TCC activation temperature reference is 100 °C. A PECI thermal reading of -10 indicates that the processor is running at approximately 10 °C below the TCC activation temperature, or 90 °C. PECI temperature readings are not reliable at temperatures above TCC activation (since the processor is operating out of specification at this temperature). Therefore, the readings are never positive.

Note that changes in PECI data counts are approximately linear in relation to changes in temperature in degrees centigrade. A change of '1' in the PECI count represents roughly a temperature change of 1 degree centigrade. This linearity is approximate and cannot be ensured over the entire range of PECI temperatures, especially as the delta from the maximum PECI temperature (zero) increases.

6.3.3.3 Processor Thermal Data Sample Rate and Filtering

The processor digital thermal sensor (DTS) provides an improved capability to monitor device hot spots, which inherently leads to more varying temperature readings over short time intervals. To reduce the sample rate requirements on PECI and improve thermal data stability versus time the processor DTS implements an averaging algorithm that filters the incoming data before reporting it over PECI.

6.3.3.4 Reserved Values

Several values well out of the operational range are reserved to signal temperature sensor errors. These are summarized in [Table 6-7](#).

Table 6-7. Error Codes and Descriptions

Error Code	Description
8000h	General Sensor Error (GSE)
8002h	Sensor is operational, but has detected a temperature below its operational range (underflow)

§



7 Sensor-Based Thermal Specification Design Guidance

The sensor-based thermal specification presents opportunities for the system designer to optimize the acoustics and simplify thermal validation. The sensor-based specification uses the Digital Thermal Sensor information accessed using the PECI interface.

This chapter will review thermal solution design options, fan speed control design guidance and implementation options and suggestions on validation both with the TTV and the live die in a shipping system.

7.1 Sensor-Based Specification Overview

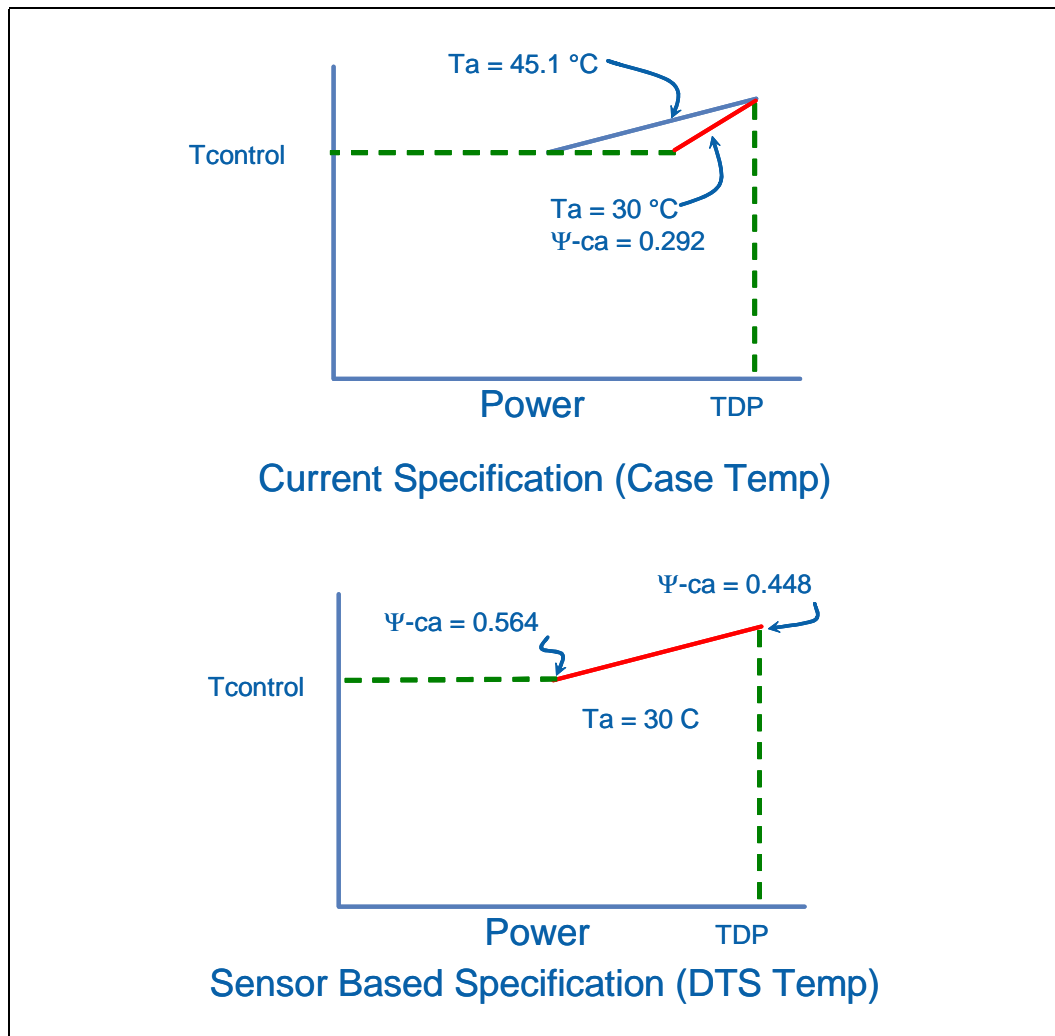
Create a thermal specification that meets the following requirements:

- Use Digital Thermal Sensor (DTS) for real-time thermal specification compliance.
- Single point of reference for thermal specification compliance over all operating conditions.
- Does not require measuring processor power and case temperature during functional system thermal validation.
- Opportunity for acoustic benefits for DTS values between T_{CONTROL} and -1 .

Thermal specifications based on the processor case temperature have some notable gaps to optimal acoustic design. When the ambient temperature is less than the maximum design point, the fan speed control system (FSC) will over cool the processor. The FSC has no feedback mechanism to detect this over cooling, this is shown in the top half of [Figure 7-1](#).

The sensor-based specification will allow the FSC to be operated at the maximum allowable silicon temperature or T_j for the measured ambient. This will provide optimal acoustics for operation above T_{CONTROL} . See lower half of [Figure 7-1](#).

Figure 7-1. Comparison of Case Temperature versus Sensor-Based Specification



7.2 Sensor-Based Thermal Specification

The sensor-based thermal specification consists of two parts. The first is a thermal profile that defines the maximum TTV T_{CASE} as a function of TTV power dissipation. The thermal profile defines the boundary conditions for validation of the thermal solution.

The second part is a defined thermal solution performance (Ψ_{CA}) as a function of the DTS value as reported over the PECl bus when DTS is greater than $T_{CONTROL}$. This defines the operational limits for the processor using the TTV validated thermal solution.



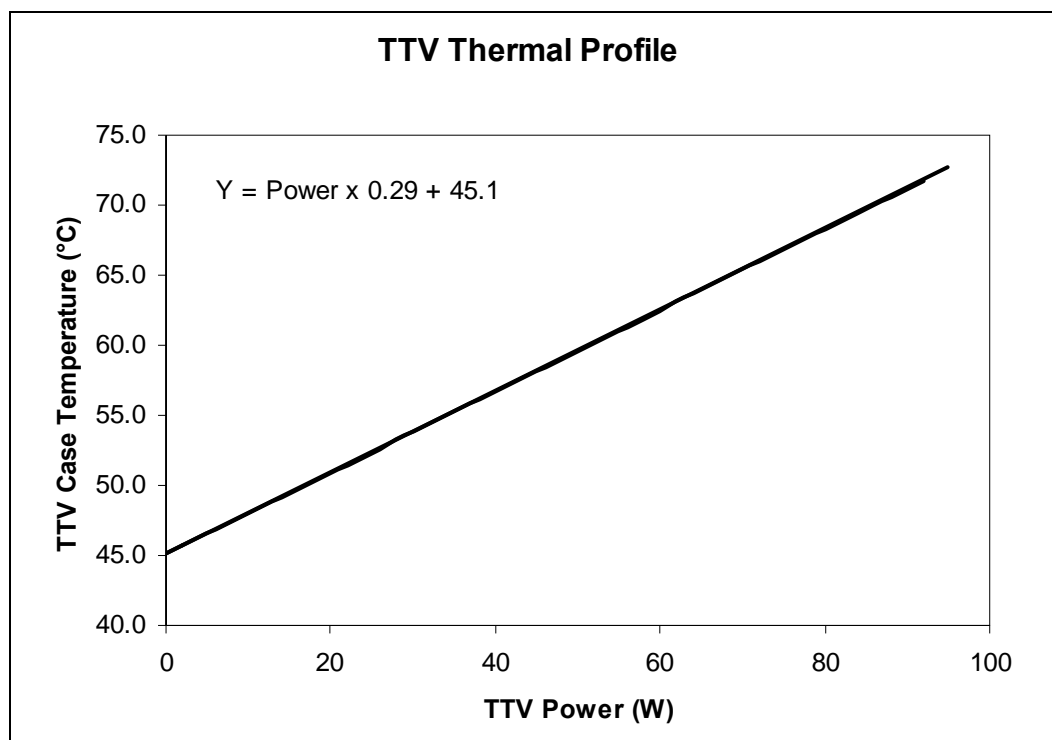
7.2.1 TTV Thermal Profile

For the sensor-based specification the only reference made to a case temperature measurement is on the TTV. Functional thermal validation will not require the user to apply a thermocouple to the processor package or measure processor power.

Note: All functional compliance testing will be based on fan speed response to the reported DTS values above $T_{CONTROL}$. As a result no conversion of TTV T_{CASE} to processor T_{CASE} will be necessary.

A knowledge of the system boundary conditions is necessary to perform the heatsink validation. Section 7.3.1 will provide more detail on defining the boundary conditions. The TTV is placed in the socket and powered to the recommended value to simulate the TDP condition. See Figure 7-2 for an example of the Intel® Core™ i5-600 desktop processor series (87W) TTV thermal profile.

Figure 7-2. Intel® Core™ i5-600 Desktop Processor Series (87W) Thermal Profile



Note: This graph is provided as a reference, the complete thermal specification is in Chapter 6.

7.2.2 Specification When DTS value is Greater than T_{CONTROL}

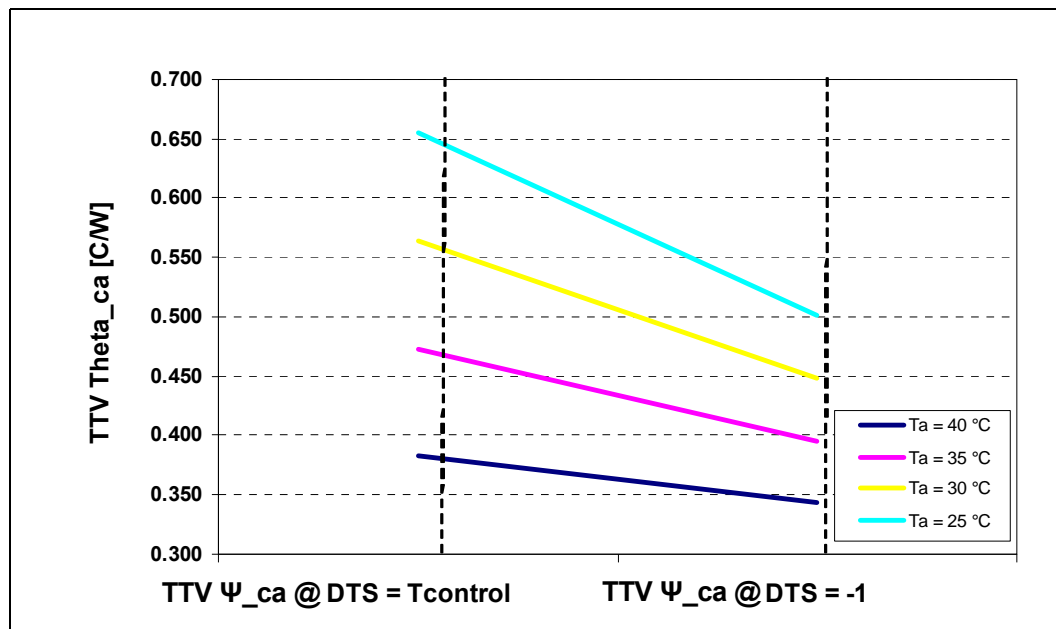
The product specification provides a table of Ψ_{CA} values at $\text{DTS} = T_{\text{CONTROL}}$ and $\text{DTS} = -1$ as a function of T_{AMBIENT} (inlet to heatsink). Between these two defined points, a linear interpolation can be done for any DTS value reported by the processor. A copy of the specification is provided as a reference in [Table 7-1](#) of [Section 7.6](#).

The fan speed control algorithm has enough information using only the DTS value and T_{AMBIENT} to command the thermal solution to provide just enough cooling to keep the part on the thermal profile.

As an example the data in [Table 7-1](#) has been plotted in [Figure 7-3](#) to show the required Ψ_{CA} at 25, 30, 35, and 40°C T_{AMBIENT} . The lower the ambient, the higher the required Ψ_{CA} , which means lower fan speeds and reduced acoustics from the processor thermal solution.

In the prior thermal specifications this region, DTS values greater than T_{CONTROL} , was defined by the processor thermal profile. This required the user to estimate the processor power and case temperature. Neither of these two data points are accessible in real time for the fan speed control system. As a result the designer had to assume the worst case T_{AMBIENT} and drive the fans to accommodate that boundary condition.

Figure 7-3. Thermal Solution Performance



7.3 Thermal Solution Design Process

Thermal solution design guidance for this specification is the same as with previous products. The initial design needs to take into account the target market and overall product requirements for the system. This can be broken down into several steps:

- Boundary condition definition
- Thermal design / modelling
- Thermal testing



7.3.1 Boundary Condition Definition

Using the knowledge of the system boundary conditions such as inlet air temperature, acoustic requirements, cost, design for manufacturing, package and socket mechanical specifications and chassis environmental test limits the designer can make informed thermal solution design decisions.

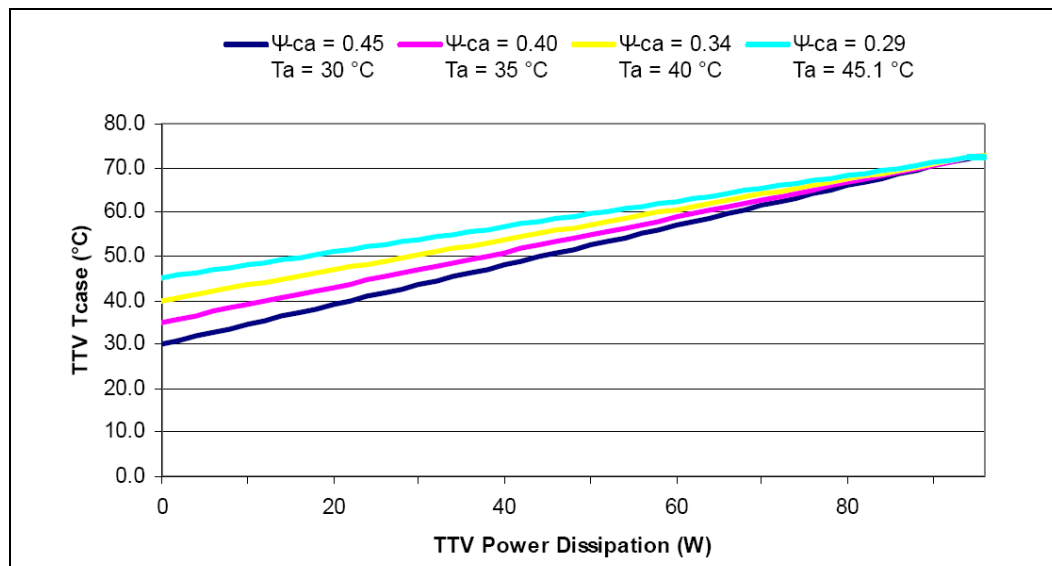
For the Intel® Core™ i5-600 desktop processor series (87W), the thermal boundary conditions for an ATX tower system are as follows:

- $T_{EXTERNAL} = 35\text{ °C}$. This is typical of a maximum system operating environment
- $T_{RISE} = 5\text{ °C}$. This is typical of a chassis compliant to CAG 1.1 or TAC 2.0.
- $T_{AMBIENT} = 40\text{ °C}$ ($T_{AMBIENT} = T_{EXTERNAL} + T_{RISE}$)

Based on the system boundary conditions the designer can select a $T_{AMBIENT}$ and Ψ_{CA} to use in thermal modelling. The assumption of a $T_{AMBIENT}$ has a significant impact on the required Ψ_{CA} needed to meet TTV $T_{CASEMAX}$ at TDP. A system that can deliver lower assumed $T_{AMBIENT}$ can utilize a design with a higher Ψ_{CA} , which can have a lower cost. Figure 7-4 shows a number of satisfactory solutions for the Intel® Core™ i5-600 desktop processor series (87W).

Note: If the assumed $T_{AMBIENT}$ is inappropriate for the intended system environment, the thermal solution performance may not be sufficient to meet the product requirements. The results may be excessive noise from fans having to operate at a speed higher than intended. In the worst case this can lead to performance loss with excessive activation of the Thermal Control Circuit (TCC).

Figure 7-4. Required Ψ_{CA} for Various $T_{AMBIENT}$ Conditions



Note: If an ambient of greater than 45.1 °C is necessary based on the boundary conditions a thermal solution with a Ψ_{CA} lower than 0.29 °C/W will be required.



7.3.2 Thermal Design and Modelling

Based on the boundary conditions the designer can now make the design selection of the thermal solution components. The major components that can be mixed are the fan, fin geometry, heat pipe or air cooled solid core design. There are cost and acoustic trade-offs the customer can make.

7.3.3 Thermal Solution Validation

7.3.3.1 Test for Compliance with the TTV Thermal Profile

This step is the same as previously suggested for prior products. The thermal solution is mounted on a test fixture with the TTV and tested at the following conditions:

- TTV is powered to the TDP condition
- Thermal solution fan operating at full speed
- T_{AMBIENT} at the boundary condition from [Section 7.3.1](#)

The following data is collected: TTV power, TTV T_{CASE} , and T_{AMBIENT} . This is used to calculate Ψ_{CA} which is defined as:

$$\Psi_{\text{CA}} = (TTV T_{\text{CASE}} - T_{\text{AMBIENT}}) / \text{Power}$$

This testing is best conducted on a bench to eliminate as many variables as possible when assessing the thermal solution performance. The boundary condition analysis as described in [Section 7.3.1](#) should help in making the bench test simpler to perform.

7.3.3.2 Thermal Solution Characterization for Fan Speed Control

The final step in thermal solution validation is to establish the thermal solution performance, Ψ_{CA} and acoustics as a function of fan speed. This data is necessary to allow the fan speed control algorithm developer to program the device. It also is needed to assess the expected acoustic impact of the processor thermal solution in the system.

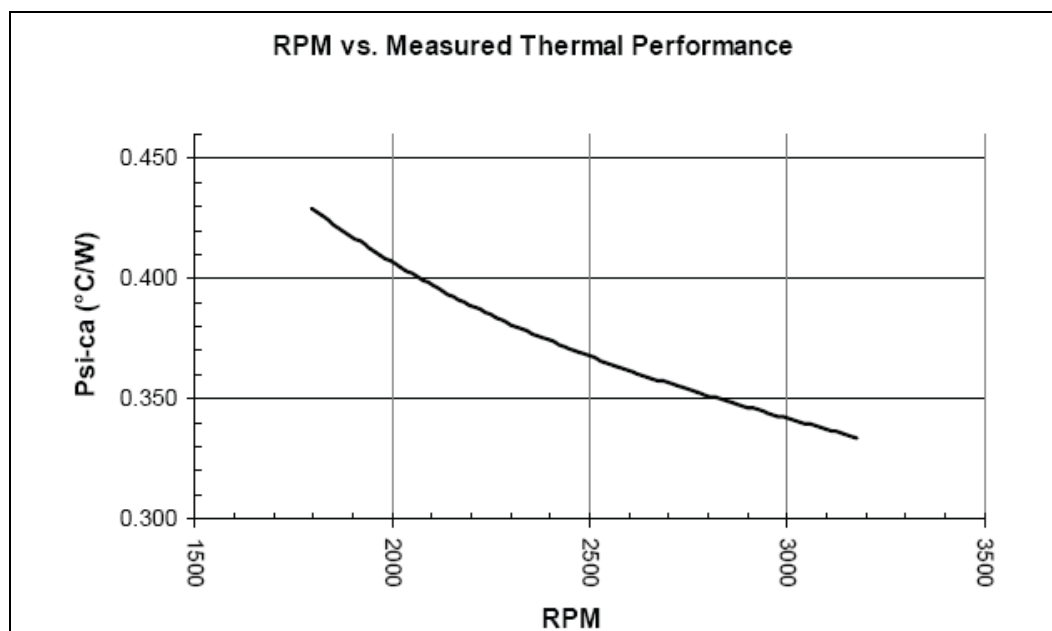
The characterization data should be taken over the operating range of the fan. Using the RCBF7-1156 (DHA-A) as the example the fan is operational from 900 to 3150 RPM. The data was collected at several points and a curve was fit to the data see [Figure 7-5](#). Taking data at 6 evenly distributed fan speeds over the operating range should provide enough data to establish an equation. By using the equation from the curve fitting a complete set of required fan speeds as a function of Ψ_{CA} be developed. The results from the reference thermal solution characterization are provided in [Table 7-1](#).

The fan speed control device may modulate the thermal solution fan speed (RPM) by one of two methods. The first and preferred is pulse width modulation (PWM) signal compliant with the 4-Wire Pulse Width Modulation (PWM) Controlled Fans specification. the alternative is varying the input voltage to the fan. As a result the characterization data needs to also correlate the RPM to PWM or voltage to the thermal solution fan. The fan speed algorithm developer needs to associate the output command from the fan speed control device with the required thermal solution performance as stated in [Table 7-1](#). Regardless of which control method is used, the term RPM will be used to indicate required fan speed in the rest of this document.

Note: When selecting a thermal solution from a thermal vendor, the characterization data should be requested directly from them as a part of their thermal solution collateral.



Figure 7-5. Thermal Solution Performance versus Fan Speed



Note: This data is taken from the preliminary evaluation of the validation of the RCBF7-1156 (DHA-A) reference processor thermal solution. The Ψ_{CA} versus RPM data is available in [Table 7-1](#) at the end of this chapter.

7.4 Fan Speed Control (FSC) Design Process

The next step is to incorporate the thermal solution characterization data into the algorithms for the device controlling the fans.

As a reminder, the requirements are:

- When the DTS value is at or below $T_{CONTROL}$, the fans can be slowed down — just as with prior processors.
- When DTS is above $T_{CONTROL}$, FSC algorithms will use knowledge of $T_{AMBIENT}$ and Ψ_{CA} versus RPM to achieve the necessary level of cooling.

This section will discuss two implementations. The first is a FSC system that does not provide the $T_{AMBIENT}$ information and a FSC system that provides data on the current $T_{AMBIENT}$. Either method will result in a thermally compliant solution and some acoustic benefit by operating the processor closer to the thermal profile. But only the $T_{AMBIENT}$ aware FSC system can fully use the specification for optimized acoustic performance.

In the development of the FSC algorithm it should be noted that the $T_{AMBIENT}$ is expected to change at a significantly slower rate than the DTS value. The DTS value will be driven by the workload on the processor and the thermal solution will be required to respond to this much more rapidly than the changes in $T_{AMBIENT}$.

An additional consideration in establishing the fan speed curves is to account for the thermal interface material performance degradation over time.

7.4.1 Fan Speed Control Algorithm without T_{AMBIENT} Data

In a system that does not provide the FSC algorithm with the T_{AMBIENT} information, the designer must make the following assumption:

- When the DTS value is greater than T_{CONTROL} , the T_{AMBIENT} is at boundary condition derived in [Section 7.3.1](#).

This is consistent past FSC guidance from Intel, to accelerate the fan to full speed when the DTS value is greater than T_{CONTROL} . As will be shown below, the DTS thermal specification at $\text{DTS} = T_{\text{CONTROL}}$ can reduce some of the over cooling of the processor and provide an acoustic noise reduction from the processor thermal solution.

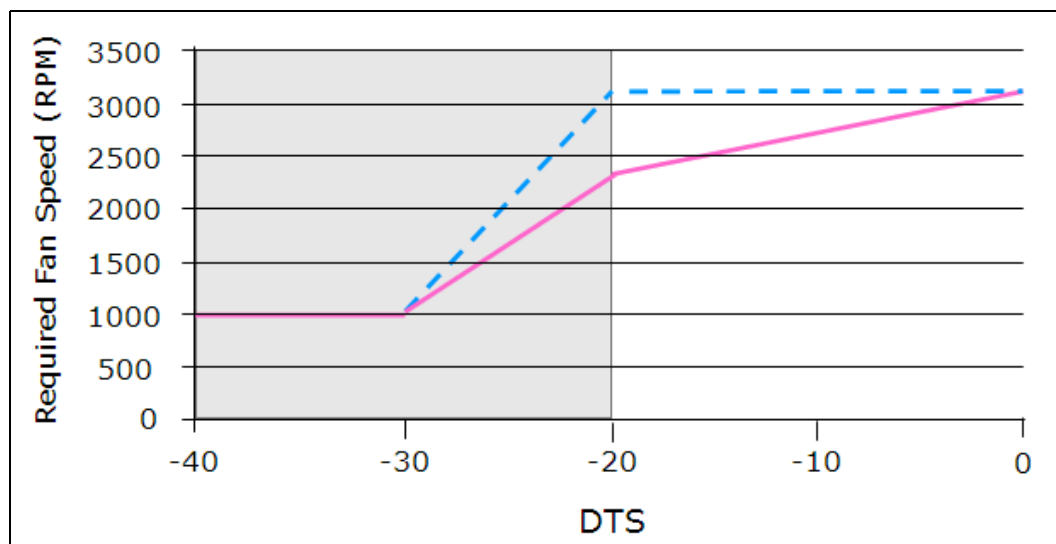
In this example the following assumptions are made:

- $T_{\text{AMBIENT}} = 40\text{ }^{\circ}\text{C}$
- Thermal Solution designed / validated to a $40\text{ }^{\circ}\text{C}$ environment
- $T_{\text{CONTROL}} = -20$
- Reference processor thermal solution (RCFH7-1156 (DHA-A))
- Below T_{CONTROL} the fan speed is slowed down as in prior products

For a processor specification based on a T_{CASE} thermal profile, when the DTS value is equal to or greater than T_{CONTROL} , the fan speed must be accelerated to full speed. For the reference thermal solution full speed is 3150 RPM (dashed line in [Figure 7-6](#)). The DTS thermal specification defines a required Ψ_{CA} at T_{CONTROL} and the fan speed is 2300 RPM. This is much less than full speed even when assuming the $T_{\text{AMBIENT}} = 40\text{ }^{\circ}\text{C}$ (solid line in [Figure 7-6](#)). The shaded area displayed in [Figure 7-6](#) is where DTS values are less than T_{CONTROL} . For simplicity, the graph shows a linear acceleration of the fans from $T_{\text{CONTROL}} - 10$ to T_{CONTROL} as has been Intel's guidance for simple fan speed control algorithms.

As the processor workload continues to increase, the DTS value will increase and the FSC algorithm will linearly increase the fan speed from the 2300 RPM at $\text{DTS} = -20$ to full speed at $\text{DTS} = -1$.

Figure 7-6. Fan Response Without T_{AMBIENT} Data





7.4.2 Fan Speed Control Algorithm with T_{AMBIENT} Data

In a system where the FSC algorithm has access to the T_{AMBIENT} information and is capable of using the data the benefits of the DTS thermal specification become more striking.

As will be demonstrated below, there is still over cooling of the processor, even when compared to a nominally ambient aware thermal solution equipped with a thermistor. An example of these thermal solutions are the RCFH7-1156 (DHA-A) or the boxed processor thermal solutions. This over cooling translates into acoustic margin that can be used in the overall system acoustic budget.

In this example the following assumptions are made:

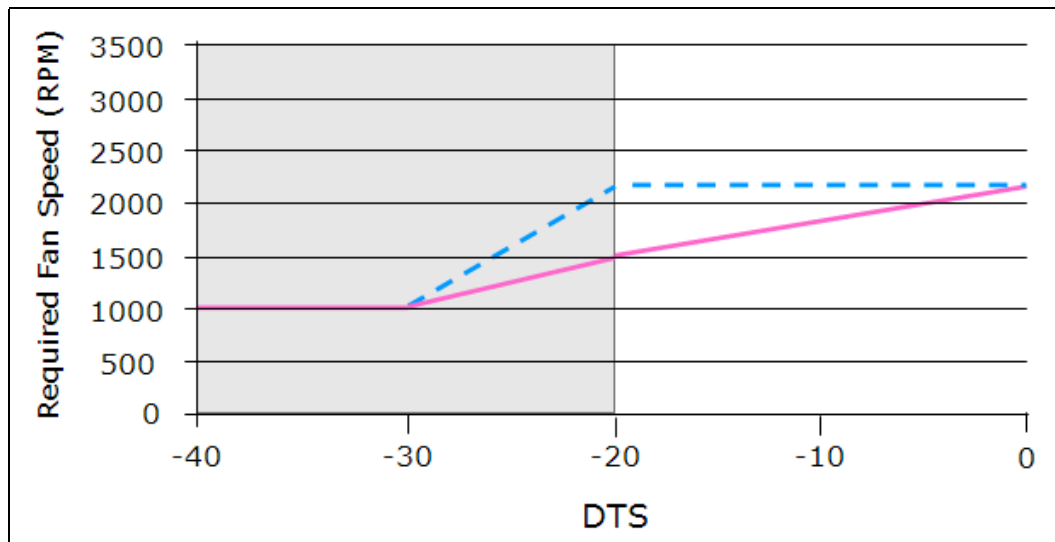
- $T_{\text{AMBIENT}} = 35\text{ }^{\circ}\text{C}$
- The same Thermal Solution designed / validated to a $40\text{ }^{\circ}\text{C}$ environment as used in the example in [Section 7.4.1](#)
- $T_{\text{CONTROL}} = -20$
- FSC device has access to T_{AMBIENT} data
- Reference processor thermal solution (RCFH7-1156 (DHA-A))
- Below T_{CONTROL} the fan speed is slowed down as in prior products

For a processor specification based on a T_{CASE} thermal profile, when the DTS value is equal to or greater than T_{CONTROL} , the fan speed is accelerated to maximum fan speed for the T_{AMBIENT} as controlled by the thermistor in thermal solution. For the RCFH7-1156 (DHA-A), this would be about 2150 RPM at $35\text{ }^{\circ}\text{C}$. This is graphically displayed as the dashed line in [Figure 7-7](#).

This is an improvement over the ambient unaware system but is not fully optimized for acoustic benefit. The DTS thermal specification required Ψ_{CA} and therefore the fan speed in this scenario is 1500 RPM. This is less than thermistor controlled speed of 2150 RPM — even if the assumption is a $T_{\text{AMBIENT}} = 35\text{ }^{\circ}\text{C}$. This is graphically displayed in [Figure 7-7](#).

The shaded area displayed in [Figure 7-7](#) is where DTS values are less than T_{CONTROL} . For simplicity, the graph shows a linear acceleration of the fans from $T_{\text{CONTROL}} - 10$ to T_{CONTROL} as has been Intel's guidance for simple fan speed control algorithms.

As the processor workload continues to increase the DTS value will increase and the FSC algorithm will linearly increase the fan speed from the 1500 RPM at $T_{\text{CONTROL}} = -20$ to 2150 RPM at $T_{\text{CONTROL}} = -1$.

Figure 7-7. Fan Response with T_{AMBIENT} Aware FSC


7.5 System Validation

System validation should focus on ensuring the fan speed control algorithm is responding appropriately to the DTS values and T_{AMBIENT} data as well as any other device being monitored for thermal compliance.

Since the processor thermal solution has already been validated using the TTV to the thermal specifications at the predicted T_{AMBIENT} , additional TTV based testing in the chassis is not expected to be necessary.

Once the heatsink has been demonstrated to meet the TTV Thermal Profile, it should be evaluated on a functional system at the boundary conditions.

In the system under test and Power/Thermal Utility Software set to dissipate the TDP workload confirm the following item:

- Verify if there is TCC activity by instrumenting the PROCHOT# signal from the processor. TCC activation in functional application testing is unlikely with a compliant thermal solution. Some very high power applications might activate TCC for short intervals this is normal.
- Verify fan speed response is within expectations – actual RPM (Ψ_{CA}) is consistent with DTS temperature and T_{AMBIENT} .
- Verify RPM versus PWM command (or voltage) output from the FSC device is within expectations.
- Perform sensitivity analysis to assess impact on processor thermal solution performance and acoustics for the following:
 - Other fans in the system.
 - Other thermal loads in the system.

In the same system under test, run real applications that are representative of the expected end user usage model and verify the following:

- Verify fan speed response vs. expectations as done using Power/Thermal Utility SW
- Validate system boundary condition assumptions: Trise, venting locations, other thermal loads and adjust models / design as required.



7.6 Thermal Solution Characterization

Table 7-1 is early engineering data on the RCBF7-1156 (DHA-A) thermal solution as a reference for the development of thermal solutions and the fan speed control algorithm.

Table 7-1. Thermal Solution Performance Above T_{CONTROL}

T _{AMBIENT} ¹	Ψ _{CA} at DTS = T _{CONTROL} ²	RPM for Ψ _{CA} at DTS = T _{CONTROL} ⁵	Ψ _{CA} at DTS = -1 ³	RPM for Ψ _{CA} at DTS = -1 ⁵
45.1	0.290	N/A	0.290	N/A
44.0	0.310	N/A	0.301	N/A
43.0	0.328	N/A	0.312	N/A
42.0	0.346	2950	0.322	N/A
41.0	0.364	2600	0.333	N/A
40.0	0.383	2300	0.343	3150
39.0	0.401	2100	0.354	2750
38.0	0.419	1900	0.364	2600
37.0	0.437	1750	0.375	2400
36.0	0.455	1650	0.385	2250
35.0	0.473	1500	0.396	2150
34.0	0.491	1400	0.406	2050
33.0	0.510	1350	0.417	1900
32.0	0.528	1200	0.427	1850
31.0	0.546	1150	0.438	1750
30.0	0.564	1050	0.448	1650
29.0	0.582	1000	0.459	1600
28.0	0.600	1000	0.469	1550
27.0	0.618	1000	0.480	1450
26.0	0.637	1000	0.491	1400
25.0	0.655	1000	0.501	1350
24.0	0.673	1000	0.512	1300
23.0	0.691	1000	0.522	1250
22.0	0.709	1000	0.533	1200
21.0	0.727	1000	0.543	1150
20.0	0.746	1000	0.554	1100

Notes:

1. The ambient temperature is measured at the inlet to the processor thermal solution
2. This column can be expressed as a function of T_{AMBIENT} by the following equation:
 $\Psi_{CA} = 0.29 + (45.1 - T_{AMBIENT}) \times 0.0181$
3. This column can be expressed as a function of T_{AMBIENT} by the following equation:
 $\Psi_{CA} = 0.29 + (45.1 - T_{AMBIENT}) \times 0.0105$
4. This table is provided as a reference please consult the product specification for current values.
5. Based on the testing performed a curve was fit to the data in the form
 $\Psi_{ca} = a \times RPM^3 + b \times RPM^2 + c \times RPM + d$, where:
 $a = -1.53 \text{ E-}11$, $b = 1.41 \text{ E-}07$, $c = -0.00048$, $d = 0.925782$
6. Full Speed of 3150 RPM the DHA-A thermal solution delivers a Ψ_{CA} = 0.335 °C /W based on preliminary testing.
7. Minimum speed is limited to 1000 RPM to ensure cooling of other system components







8 ATX Reference Thermal Solution

Note: The reference thermal mechanical solution information shown in this document represents the current state of the data and may be subject to modification. The information represents design targets, not commitments by Intel.

The design strategy is to use the design concepts from the prior Intel® Radial Curved Bifurcated Fin Heatsink Reference Design (Intel® RCBFH Reference Design) designed originally for the Intel® Pentium® 4 processors.

This chapter describes the overall requirements for the ATX heatsink reference thermal solution supporting the processors including critical-to-function dimensions, operating environment, and validation criteria.

8.1 Heatsink Thermal Solution

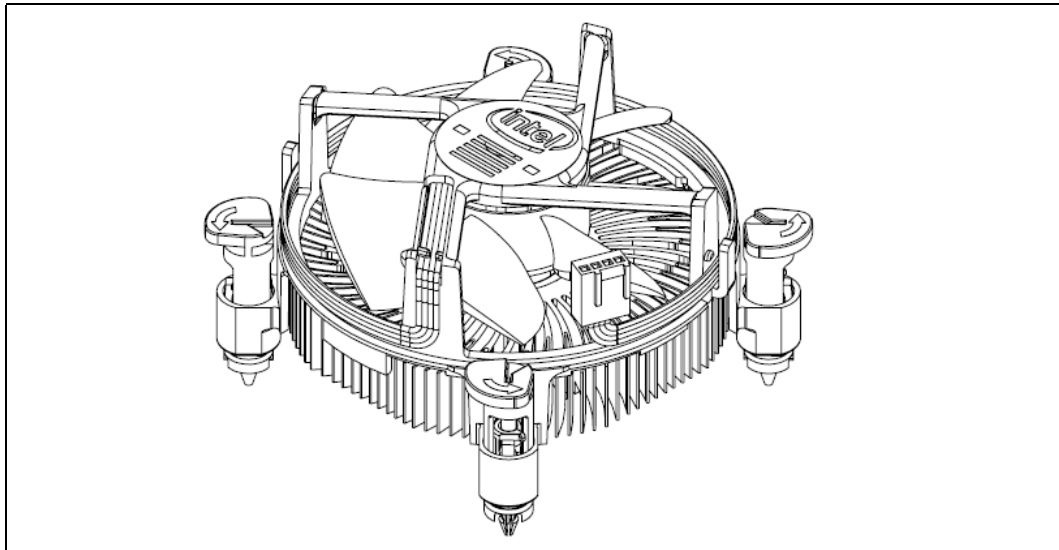
The reference thermal solutions are active fan solution similar to the prior designs for the Intel® Pentium® 4 and Intel® Core™2 Duo processors. There are two designs being enabled. The first is called RCFH7-1156 (DHA-A), which is a universal design supporting the Intel® Core™ i5-600, i3-500 desktop processor series, Intel® Pentium® desktop processor 6000 series. The second is called the RCFH6-1156 (DHA-B), which only supports the Intel® Core™ i5-600, i3-500 desktop processor series, Intel® Pentium® desktop processor 6000 series (73W).

Table 8-1. Reference Thermal Solutions

Thermal Solution Name	Guidelines	Processor
RCFH7-1156 (DHA-A)	2009B (09B)	Intel® Core™ i5-600 desktop processor series (87W) Intel® Core™ i5-600, i3-500 desktop processor series, Intel® Pentium® desktop processor 6000 series (73W)
RCFH6-1156 (DHA-B)	2009A (09A)	Intel® Core™ i5-600, i3-500 desktop processor series, Intel® Pentium® desktop processor 6000 series (73W)

Figure 8-1 shows the reference thermal solution assembly. The heat sink attaches to the motherboard with the push pin fastener design from previous reference designs, see Figure B-6 through Figure B-9 for details on the push pin fastener design.

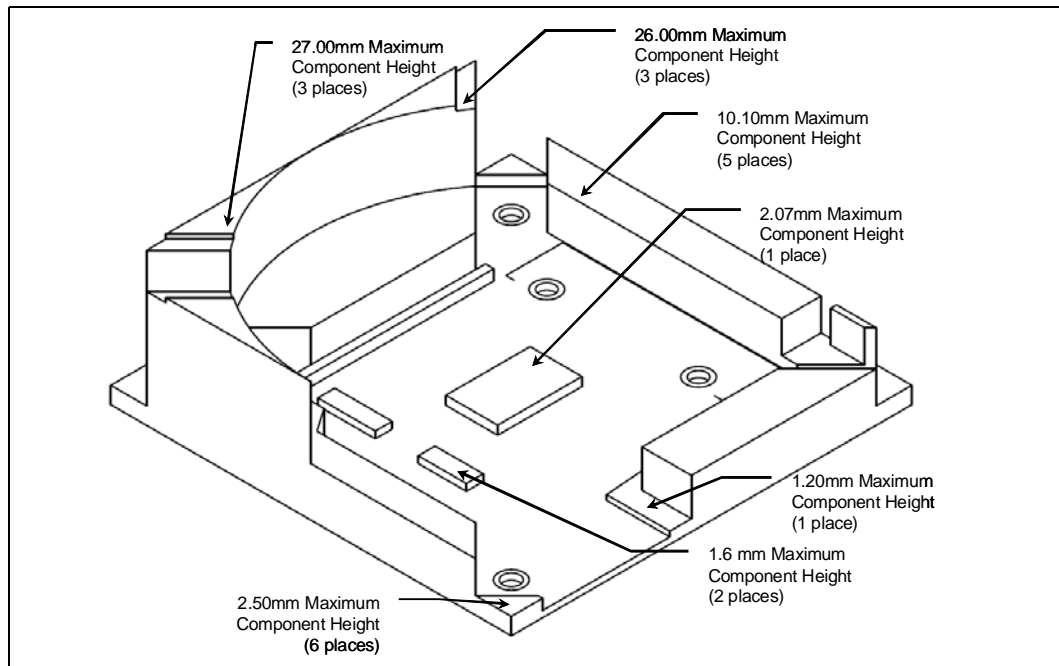
Figure 8-1. ATX Heatsink Reference Design Assembly



8.2 Geometric Envelope for the Intel Reference ATX Thermal Mechanical Design

Figure 8-2 shows a 3-D representation of the board component keep out for the reference ATX thermal solution. A fully dimensioned drawing of the keepout information is available at Figure B-1 and Figure B-2 in Appendix B.

Figure 8-2. ATX KOZ 3-D Model Primary (Top) Side



Note: All maximum component heights are post reflow or assembly.



Note: The maximum height of the reference thermal solution (in [Figure 8-1](#)) above the motherboard is 46.00 mm [1.81 inches], and is compliant with the motherboard primary side height constraints defined in the *ATX Specification* and the *microATX Motherboard Interface Specification* found at <http://www.formfactors.org>.

The reference solution requires a chassis obstruction height of at least 81.30 mm [3.20 inches], measured from the top of the motherboard. This allows for appropriate fan inlet airflow to ensure fan performance, and therefore overall cooling solution performance. This is compliant with the recommendations found in both *ATX Specification* and *microATX Motherboard Interface Specification* documents.

8.3 Heatsink Mass & Center of Gravity

- Total mass including plastic fan housing and fasteners <500 g.
- Assembly center of gravity ≤ 25.4 mm, measured from the top of the IHS.

8.4 Thermal Interface Material

A thermal interface material (TIM) provides conductivity between the IHS and heat sink. The designs use Dow Corning TC-1996. The TIM application is 0.14 g, which will be a nominal 20 mm diameter (~0.79 inches).







9 Thermal Solution Quality and Reliability Requirements

9.1 Reference Heatsink Thermal Verification

Each motherboard, heatsink and attach combination may vary the mechanical loading of the component. Based on the end user environment, the user should define the appropriate reliability test criteria and carefully evaluate the completed assembly prior to use in high volume. The Intel reference thermal solution will be evaluated to the boundary conditions in [Chapter 5](#).

The test results, for a number of samples, are reported in terms of a worst-case mean + 3σ value for thermal characterization parameter using the TTV.

9.2 Mechanical Environmental Testing

Each motherboard, heatsink and attach combination may vary the mechanical loading of the component. Based on the end user environment, the user should define the appropriate reliability test criteria and carefully evaluate the completed assembly prior to use in high volume. Some general recommendations are shown in [Table 9-1](#).

The Intel reference heatsinks will be tested in an assembled LGA1156 socket and mechanical test package. Details of the environmental requirements, and associated stress tests, can be found in [Table 9-1](#) are based on speculative use condition assumptions, and are provided as examples only.

Table 9-1. Use Conditions (Board Level)

Test ¹	Requirement	Pass/Fail Criteria ²
Mechanical Shock	3 drops each for + and - directions in each of 3 perpendicular axes (i.e., total 18 drops) Profile: 50 g, Trapezoidal waveform, 4.3 m/s [170 in/s] minimum velocity change	Visual Check and Electrical Functional Test
Random Vibration	Duration: 10 min/axis, 3 axes Frequency Range: 5 Hz to 500 Hz 5 Hz @ 0.01 g ² /Hz to 20 Hz @ 0.02 g ² /Hz (slope up) 20 Hz to 500 Hz @ 0.02 g ² /Hz (flat) Power Spectral Density (PSD) Profile: 3.13 g RMS	Visual Check and Electrical Functional Test

Notes:

1. It is recommended that the above tests be performed on a sample size of at least ten assemblies from multiple lots of material.
2. Additional pass/fail criteria may be added at the discretion of the user.



9.2.1 Recommended Test Sequence

Each test sequence should start with components (that is, baseboard, heatsink assembly, and so forth) that have not been previously submitted to any reliability testing.

Prior to the mechanical shock & vibration test, the units under test should be preconditioned for 72 hours at 45 °C. The purpose is to account for load relaxation during burn-in stage.

The test sequence should always start with a visual inspection after assembly, and BIOS/Processor/memory test. The stress test should be then followed by a visual inspection and then BIOS/Processor/memory test.

9.2.2 Post-Test Pass Criteria

The post-test pass criteria are:

1. No significant physical damage to the heatsink and retention hardware.
2. Heatsink remains seated and its bottom remains mated flatly against the IHS surface. No visible gap between the heatsink base and processor IHS. No visible tilt of the heatsink with respect to the retention hardware.
3. No signs of physical damage on baseboard surface due to impact of heatsink.
4. No visible physical damage to the processor package.
5. Successful BIOS/Processor/memory test of post-test samples.
6. Thermal compliance testing to demonstrate that the case temperature specification can be met.

9.2.3 Recommended BIOS/Processor/Memory Test Procedures

This test is to ensure proper operation of the product before and after environmental stresses, with the thermal mechanical enabling components assembled. The test shall be conducted on a fully operational baseboard that has not been exposed to any battery of tests prior to the test being considered.

Testing setup should include the following components, properly assembled and/or connected:

- Appropriate system baseboard.
- Processor and memory.
- All enabling components, including socket and thermal solution parts.

The pass criterion is that the system under test shall successfully complete the checking of BIOS, basic processor functions and memory, without any errors. *Intel PC Diags* is an example of software that can be used for this test.



9.3 Material and Recycling Requirements

Material shall be resistant to fungal growth. Examples of non-resistant materials include cellulose materials, animal and vegetable based adhesives, grease, oils, and many hydrocarbons. Synthetic materials such as PVC formulations, certain polyurethane compositions (such as polyester and some polyethers), plastics that contain organic fillers of laminating materials, paints, and varnishes also are susceptible to fungal growth. If materials are not fungal growth resistant, then MIL-STD-810E, Method 508.4 must be performed to determine material performance.

Material used shall not have deformation or degradation in a temperature life test.

Any plastic component exceeding 25 grams should be recyclable per the European Blue Angel recycling standards.

The following definitions apply to the use of the terms lead-free, Pb-free, and RoHS compliant.

Lead (Pb)-free: Lead has not been intentionally added, but lead may still exist as an impurity below 1000 ppm.

RoHS compliant: Lead and other materials banned in RoHS Directive are either (1) below all applicable substance thresholds as proposed by the EU or (2) an approved/pending exemption applies.

Note: RoHS implementation details are not fully defined and may change.

§





10 Boxed Processor Specifications

10.1 Introduction

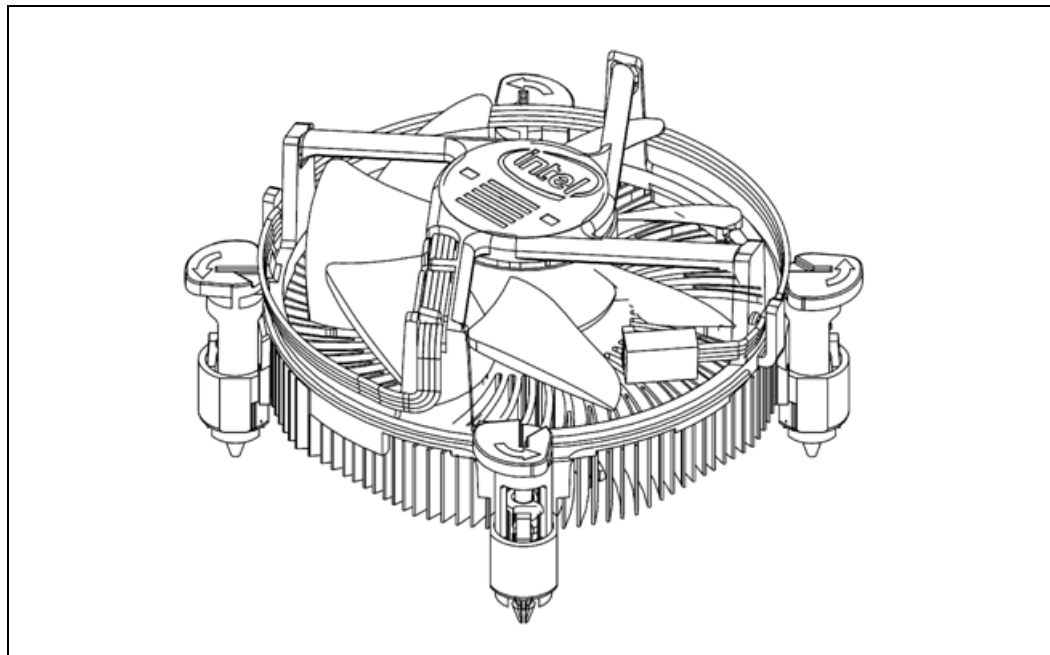
The processor will also be offered as an Intel boxed processor. Intel boxed processors are intended for system integrators who build systems from baseboards and standard components. The boxed processor will be supplied with a cooling solution. This chapter documents baseboard and system requirements for the cooling solution that will be supplied with the boxed processor. This chapter is particularly important for OEMs that manufacture baseboards for system integrators.

Note: Unless otherwise noted, all figures in this chapter are dimensioned in millimeters and inches [in brackets]. [Figure 10-1](#) shows a mechanical representation of a boxed processor.

Note: The cooling solution that is supplied with the boxed processor will be halogen free compliant.

Note: Drawings in this chapter reflect only the specifications on the Intel boxed processor product. These dimensions should not be used as a generic keep-out zone for all cooling solutions. It is the system designers' responsibility to consider their proprietary cooling solution when designing to the required keep-out zone on their system platforms and chassis. Refer to the [Appendix B](#) for further guidance on keep in and keep out zones.

Figure 10-1. Boxed Processor Fan Heatsink



Note: The airflow of the fan heatsink is into the center and out of the sides of the fan heatsink.

10.2 Mechanical Specifications

10.2.1 Boxed Processor Cooling Solution Dimensions

This section documents the mechanical specifications of the boxed processor. The boxed processor will be shipped with an unattached fan heatsink. [Figure 10-1](#) shows a boxed processor fan heatsink.

Clearance is required around the fan heatsink to ensure unimpeded airflow for proper cooling. The physical space requirements and dimensions for the boxed processor with assembled fan heatsink are shown in [Figure 10-2](#) (side view), and [Figure 10-3](#) (top view). The airspace requirements for the boxed processor fan heatsink must also be incorporated into new baseboard and system designs. Airspace requirements are shown in [Figure 10-7](#) and [Figure 10-8](#). Note that some figures have centerlines shown (marked with alphabetic designations) to clarify relative dimensioning.

Figure 10-2. Space Requirements for the Boxed Processor (Side View)

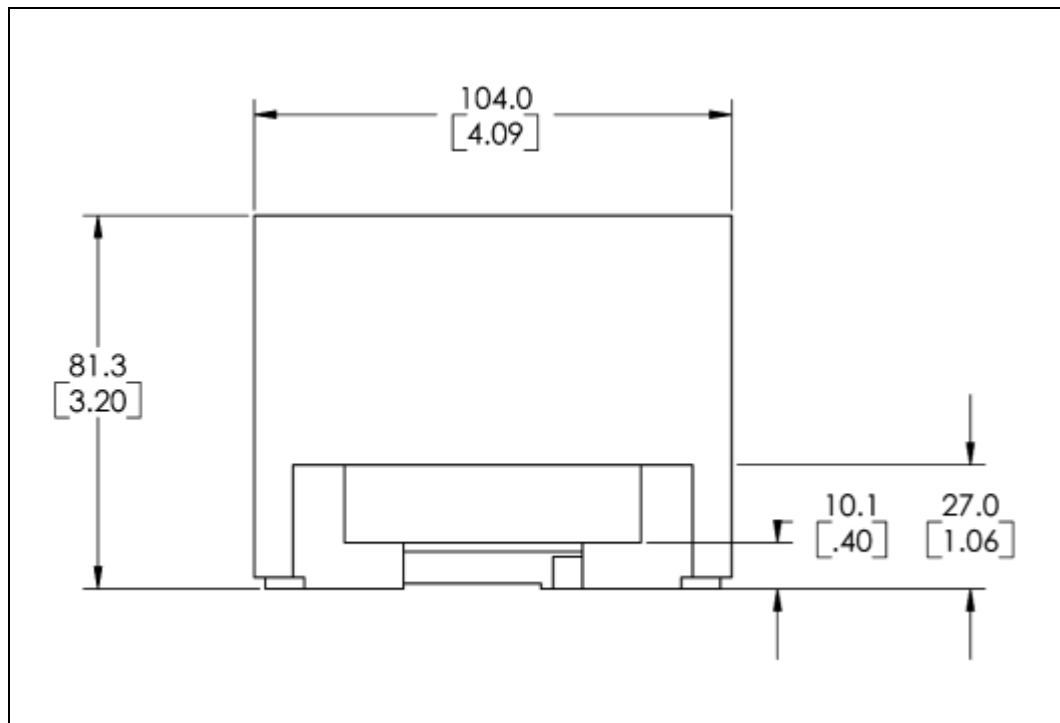
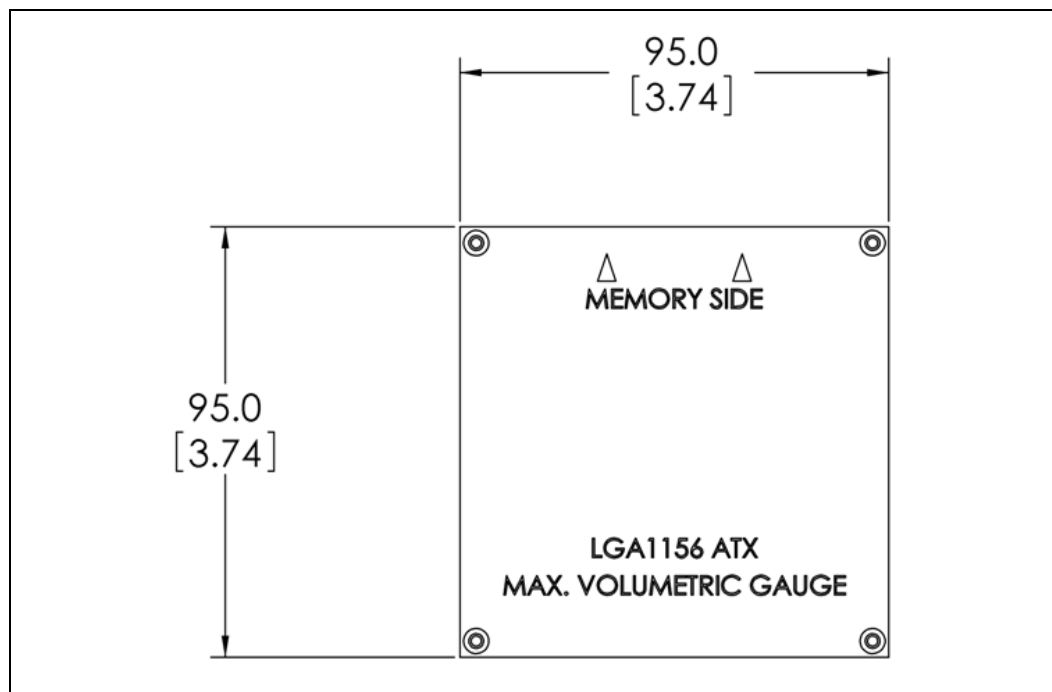


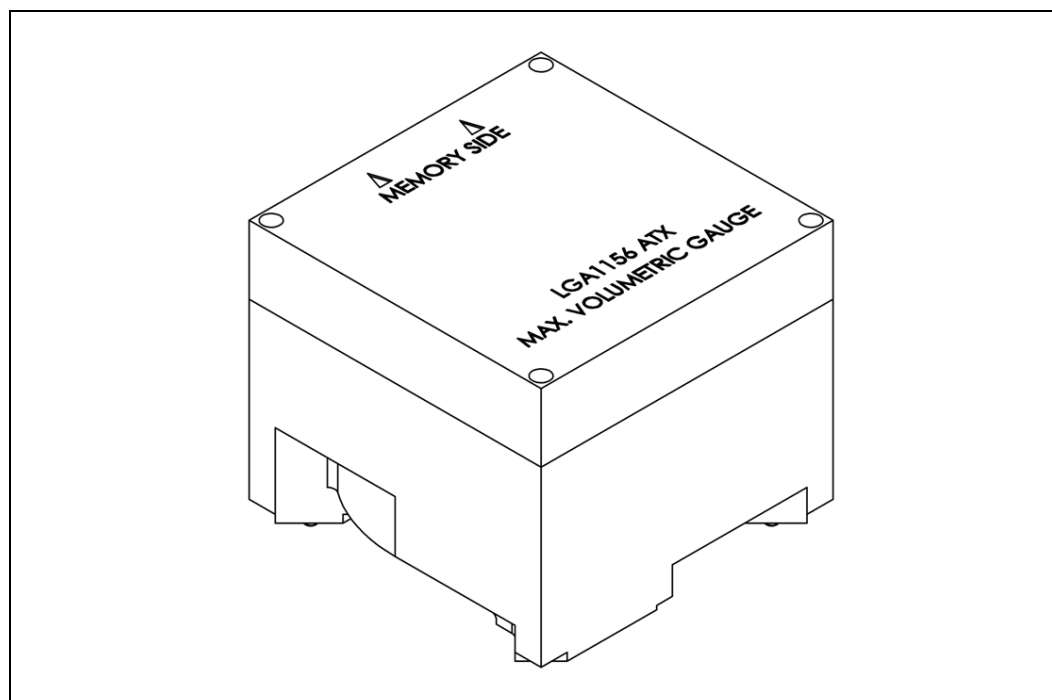


Figure 10-3. Space Requirements for the Boxed Processor (Top View)



Note: Diagram does not show the attached hardware for the clip design and is provided only as a mechanical representation.

Figure 10-4. Space Requirements for the Boxed Processor (Overall View)



10.2.2 Boxed Processor Fan Heatsink Weight

The boxed processor fan heatsink will not weigh more than 450 grams.

10.2.3 Boxed Processor Retention Mechanism and Heatsink Attach Clip Assembly

The boxed processor thermal solution requires a heatsink attach clip assembly, to secure the processor and fan heatsink in the baseboard socket. The boxed processor will ship with the heatsink attach clip assembly.

10.3 Electrical Requirements

10.3.1 Fan Heatsink Power Supply

The boxed processor's fan heatsink requires a +12 V power supply. A fan power cable will be shipped with the boxed processor to draw power from a power header on the baseboard. The power cable connector and pinout are shown in [Figure 10-5](#).

Baseboards must provide a matched power header to support the boxed processor. [Table 10-1](#) contains specifications for the input and output signals at the fan heatsink connector.

The fan heatsink outputs a SENSE signal, which is an open-collector output that pulses at a rate of 2 pulses per fan revolution. A baseboard pull-up resistor provides V_{OH} to match the system board-mounted fan speed monitor requirements, if applicable. Use of the SENSE signal is optional. If the SENSE signal is not used, pin 3 of the connector should be tied to GND.

The fan heatsink receives a PWM signal from the motherboard from the 4th pin of the connector labeled as CONTROL.

The boxed processor's fanheat sink requires a constant +12 V supplied to pin 2 and does not support variable voltage control or 3-pin PWM control.

The power header on the baseboard must be positioned to allow the fan heatsink power cable to reach it. The power header identification and location should be documented in the platform documentation, or on the system board itself. [Figure 10-6](#) shows the location of the fan power connector relative to the processor socket. The baseboard power header should be positioned within 110 mm [4.33 inches] from the center of the processor socket.

Figure 10-5. Boxed Processor Fan Heatsink Power Cable Connector Description

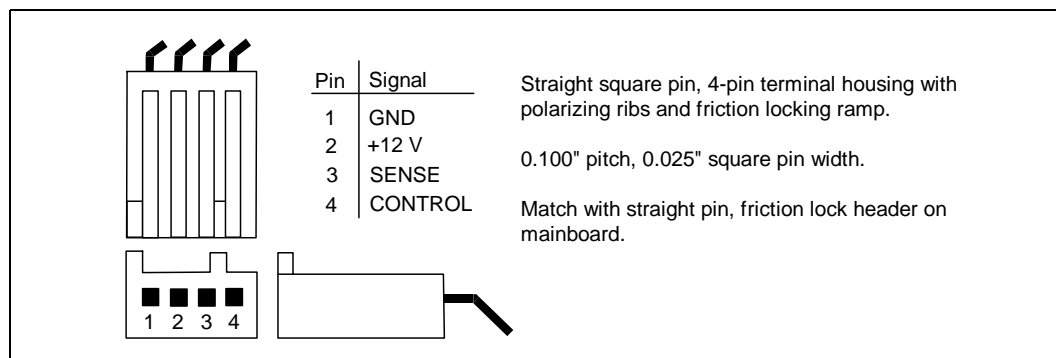




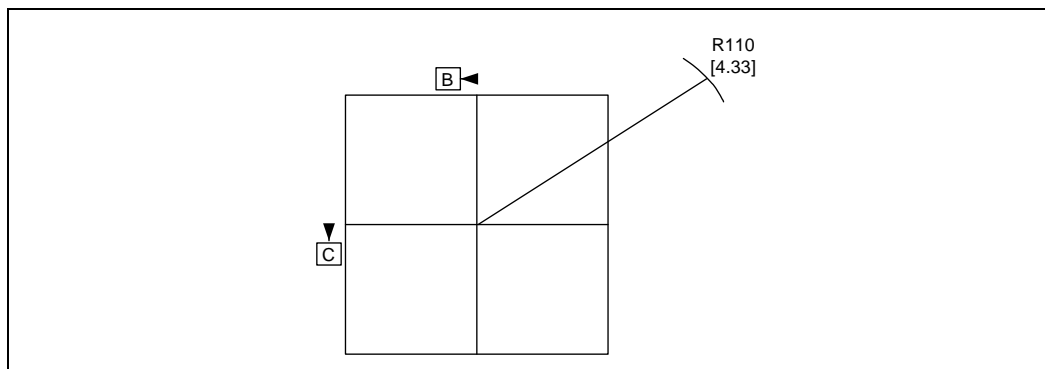
Table 10-1. Fan Heatsink Power and Signal Specifications

Description	Min	Typ	Max	Unit	Notes
+12 V: 12 volt fan power supply	11.4	12.0	12.6	V	—
IC:					—
• Maximum fan steady-state current draw	—	1.2	—	A	
• Average steady-state fan current draw	—	0.5	—	A	
• Maximum fan start-up current draw	—	2.2	—	A	
• Fan start-up current draw maximum duration	—	1.0	—	Second	
SENSE: SENSE frequency	—	2	—	pulses per fan revolution	1
CONTROL	21	25	28	kHz	2, 3

NOTES:

1. Baseboard should pull this pin up to 5 V with a resistor.
2. Open drain type, pulse width modulated.
3. Fan will have pull-up resistor for this signal to maximum of 5.25 V.

Figure 10-6. Baseboard Power Header Placement Relative to Processor Socket



10.4 Thermal Specifications

This section describes the cooling requirements of the fan heatsink solution used by the boxed processor.

10.4.1 Boxed Processor Cooling Requirements

The boxed processor may be directly cooled with a fan heatsink. However, meeting the processor's temperature specification is also a function of the thermal design of the entire system, and ultimately the responsibility of the system integrator. The processor temperature specification is found in [Chapter 6](#) of this document. The boxed processor fan heatsink is able to keep the processor temperature within the specifications (see [Table 6.1](#)) in chassis that provide good thermal management. For the boxed processor fan heatsink to operate properly, it is critical that the airflow provided to the fan heatsink is unimpeded. Airflow of the fan heatsink is into the center and out of the sides of the fan heatsink. Airspace is required around the fan to ensure that the airflow through the fan heatsink is not blocked. Blocking the airflow to the fan heatsink reduces the cooling efficiency and decreases fan life. [Figure 10-7](#) and [Figure 10-8](#) illustrate an acceptable airspace clearance for the fan heatsink. The air temperature entering the fan should be kept below 40 °C. Again, meeting the processor's temperature specification is the responsibility of the system integrator.

Figure 10-7. Boxed Processor Fan Heatsink Airspace Keepout Requirements (Top View)

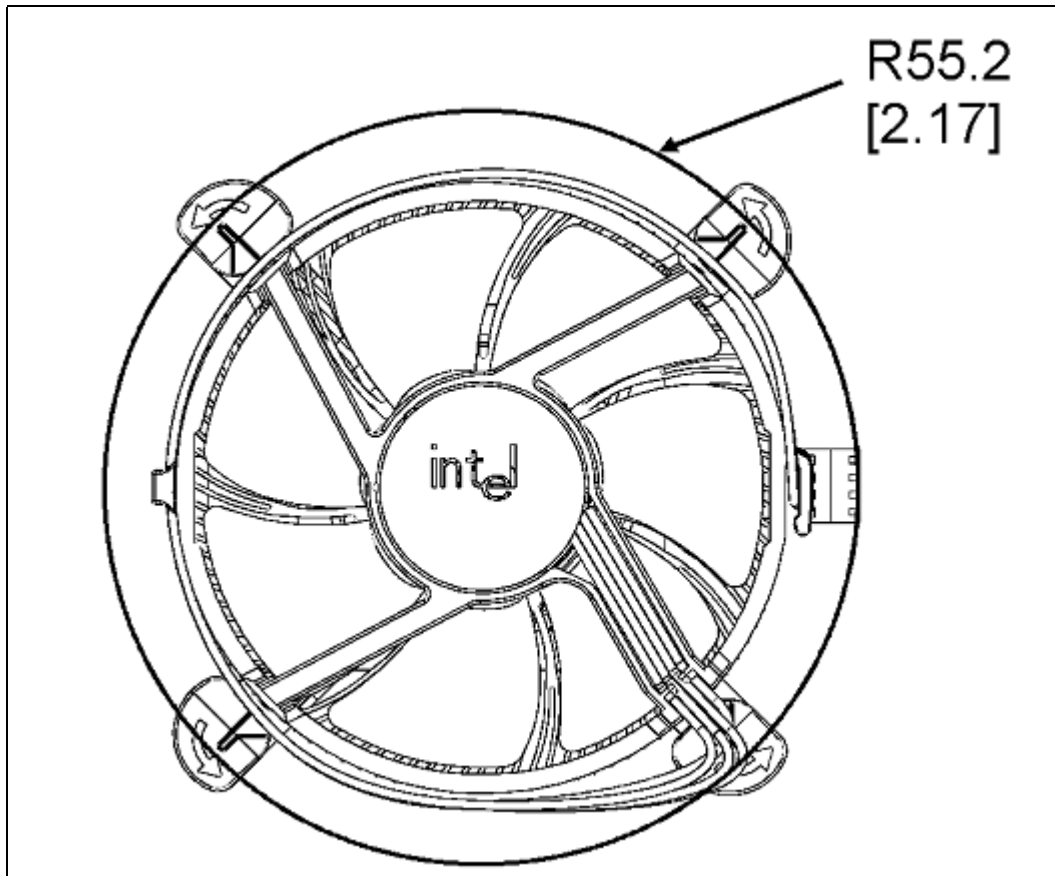
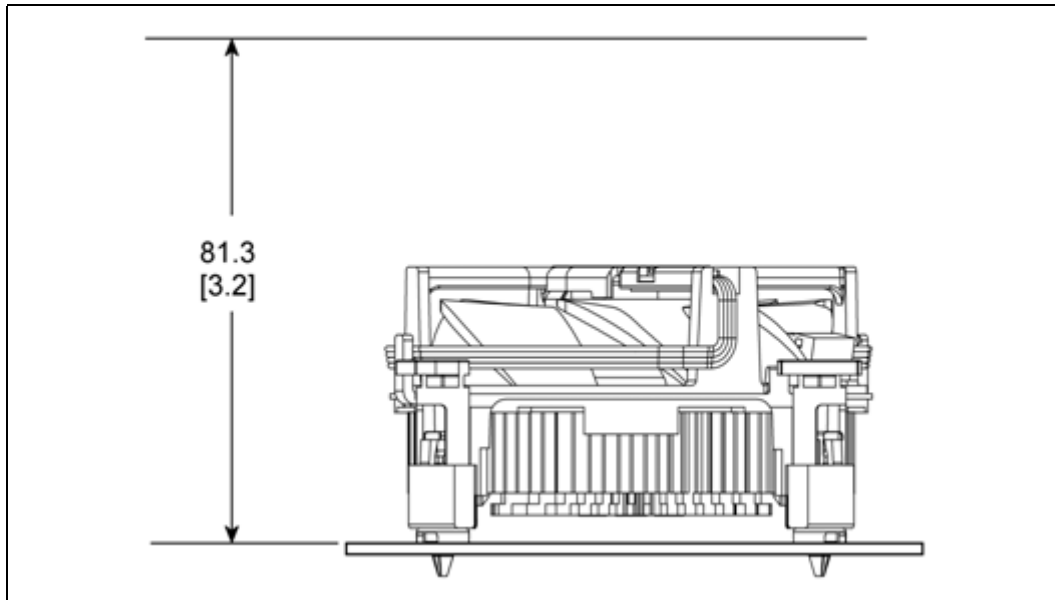


Figure 10-8. Boxed Processor Fan Heatsink Airspace Keepout Requirements (Side View)





10.4.2 Variable Speed Fan

If the boxed processor fan heatsink 4-pin connector is connected to a 3-pin motherboard header, it will operate as follows:

The boxed processor fan will operate at different speeds over a short range of internal chassis temperatures. This allows the processor fan to operate at a lower speed and noise level, while internal chassis temperatures are low. If internal chassis temperature increases beyond a lower set point, the fan speed will rise linearly with the internal temperature until the higher set point is reached. At that point, the fan speed is at its maximum. As fan speed increases, so do fan noise levels. Systems should be designed to provide adequate air around the boxed processor fan heatsink that remains cooler than lower set point. These set points, represented in Figure 10-9 and Table 10-2, can vary by a few degrees from fan heatsink to fan heatsink. The internal chassis temperature should be kept below 40 °C. Meeting the processor's temperature specification (see Chapter 6) is the responsibility of the system integrator.

The motherboard must supply a constant +12 V to the processor's power header to ensure proper operation of the variable speed fan for the boxed processor. Refer to Table 10-1 for the specific requirements.

Figure 10-9. Boxed Processor Fan Heatsink Set Points

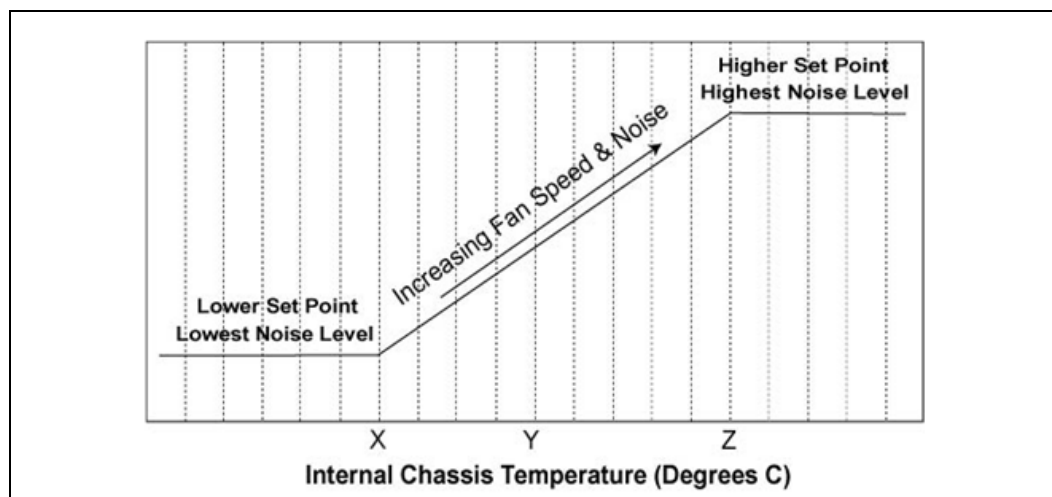


Table 10-2. Fan Heatsink Set Points

Boxed Processor Fan Heatsink Set Point (°C)	Boxed Processor Fan Speed	Notes
$X \leq 30$	When the internal chassis temperature is below or equal to this set point, the fan operates at its lowest speed. Recommended maximum internal chassis temperature for nominal operating environment.	1
$Y = 35$	When the internal chassis temperature is at this point, the fan operates between its lowest and highest speeds. Recommended maximum internal chassis temperature for worst-case operating environment.	-
$Z \geq 40$	When the internal chassis temperature is above or equal to this set point, the fan operates at its highest speed.	-

Note:

1. Set point variance is approximately ± 1 °C from fan heatsink to fan heatsink.



If the boxed processor fan heatsink 4-pin connector is connected to a 4-pin motherboard header and the motherboard is designed with a fan speed controller with PWM output (CONTROL see [Table 10-1](#)) and remote thermal diode measurement capability, the boxed processor will operate as follows:

As processor power has increased, the required thermal solutions have generated increasingly more noise. Intel has added an option to the boxed processor that allows system integrators to have a quieter system in the most common usage.

The 4th wire PWM solution provides better control over chassis acoustics. This is achieved by more accurate measurement of processor die temperature through the processor's Digital Thermal Sensors (DTS) and PECL. Fan RPM is modulated through the use of an ASIC located on the motherboard that sends out a PWM control signal to the 4th pin of the connector labeled as CONTROL. The fan speed is based on actual processor temperature instead of internal ambient chassis temperatures.

If the new 4-pin active fan heat sink solution is connected to an older 3-pin baseboard processor fan header, it will default back to a thermistor controlled mode, allowing compatibility with existing 3-pin baseboard designs. Under thermistor controlled mode, the fan RPM is automatically varied based on the Tinlet temperature measured by a thermistor located at the fan inlet.

§



A Component Suppliers

Note: The part numbers listed below identifies the reference components. End-users are responsible for the verification of the Intel enabled component offerings with the supplier. These vendors and devices are listed by Intel as a convenience to Intel's general customer base, but Intel does not make any representations or warranties whatsoever regarding quality, reliability, functionality, or compatibility of these devices. Customers are responsible for thermal, mechanical, and environmental validation of these solutions. This list and/or these devices may be subject to change without notice.

Table A-1. Reference Heatsink Enabled Components

Item	Intel PN	AVC	Delta	Foxconn	ITW	Nidec
2009B Heatsink Assembly RCFH7-1156 (DHA-A)	E41759-002	N/A	DTC-DAA07	1A01C7T00-DHA_XA02	N/A	F90T12MS1Z 7-64A01A1
2009A Heatsink Assembly RCFH6-1156 (DHA-B)	E41997-002	N/A	DTC-DAB03	1A01C7T00-DHB_XA02	N/A	F90T12MS1Z 7-64A01B1
Clip	E36830-001	A208000389	N/A	N/A	N/A	N/A
Fastener	Base: C33389 Cap: C33390	N/A	N/A	N/A	Base: C33389 Cap: C33390	N/A

Table A-2. LGA1156 Socket and ILM Components

Item	Intel PN	Foxconn	Molex	Tyco	Lotes
LGA1156 Socket	E51948-003	PE115627-4051-01F	475961232	2013092-2	N/A
LGA115x ILM with Cover	G11449-001	PT44L81-6401	475968711	2013882-5	ACA-ZIF-078-Y17
LGA115x ILM without Cover ¹	E36142-002	PT44L11-6401	475969911	2013882-3	ACA-ZIF-078-Y02
LGA115x ILM Cover Only ²	G12451-001	O12-1000-5377	475973003	1-2134503-1	ACA-ZIF-127-P01
Desktop Backplate with screws ³	E36143-002	PT44P19-6401	475969930	2069838-2	DCA-HSK-144-Y09

Notes:

- Existing part numbers for LGA115x ILM without the cover will remain available.
- Individual ILM covers are made available for post-sales support.
- The backplate will remain an individual item and need to be ordered separately.

Table A-3. Supplier Contact Information (Sheet 1 of 2)

Supplier	Contact	Phone	Email
AVC (Asia Vital Components Co., Ltd.)	Kai Chang	+86 755 3366 8888 x63588	kai_chang@avc.com.tw
Delta	William Bradshaw	+1 510 668 5570 +86 136 8623 1080	WBradshaw@delta-corp.com
Foxconn	Julia Jiang	+1 408 919 6178	juliaj@foxconn.com
ITW Fastex	Chak Chakir	+1 512 989 7771	chak.chakir@itweba.com



Table A-3. Supplier Contact Information (Sheet 2 of 2)

Supplier	Contact	Phone	Email
Lotes Co., Ltd.	Windy Wong	+1 604 721 1259	windy@lotestech.com
Molex	Carol Liang	+86 21 504 80889 x3301	carol.liang@molex.com
Nidec	Karl Mattson	+1 360 666 2445	karl.mattson@nidec.com
Tyco	Billy Hsieh	+81 44 844 8292	billy.hsieh@tycoelectronics.com

The enabled components may not be currently available from all suppliers. Contact the supplier directly to verify time of component availability.

§



B Mechanical Drawings

Table B-1 lists the mechanical drawings included in this appendix.

Table B-1. Mechanical Drawing List

Drawing Description	Figure Number
"Socket / Heatsink / ILM Keepout Zone Primary Side (Top)"	Figure B-1
"Socket / Heatsink / ILM Keepout Zone Secondary Side (Bottom)"	Figure B-2
"Socket / Processor / ILM Keepout Zone Primary Side (Top)"	Figure B-3
"Socket / Processor / ILM Keepout Zone Secondary Side (Bottom)"	Figure B-4
"Reference Design Heatsink Assembly"	Figure B-5
"Reference Fastener (Sheet 1 of 4)"	Figure B-6
"Reference Fastener (Sheet 2 of 4)"	Figure B-7
"Reference Fastener (Sheet 3 of 4)"	Figure B-8
"Reference Fastener (Sheet 4 of 4)"	Figure B-9
"Reference Clip (Sheet 1 of 2)"	Figure B-10
"Reference Clip (Sheet 2 of 2)"	Figure B-11
"Thermocouple Attach Drawing"	Figure B-12

Figure B-1. Socket / Heatsink / ILM Keepout Zone Primary Side (Top)

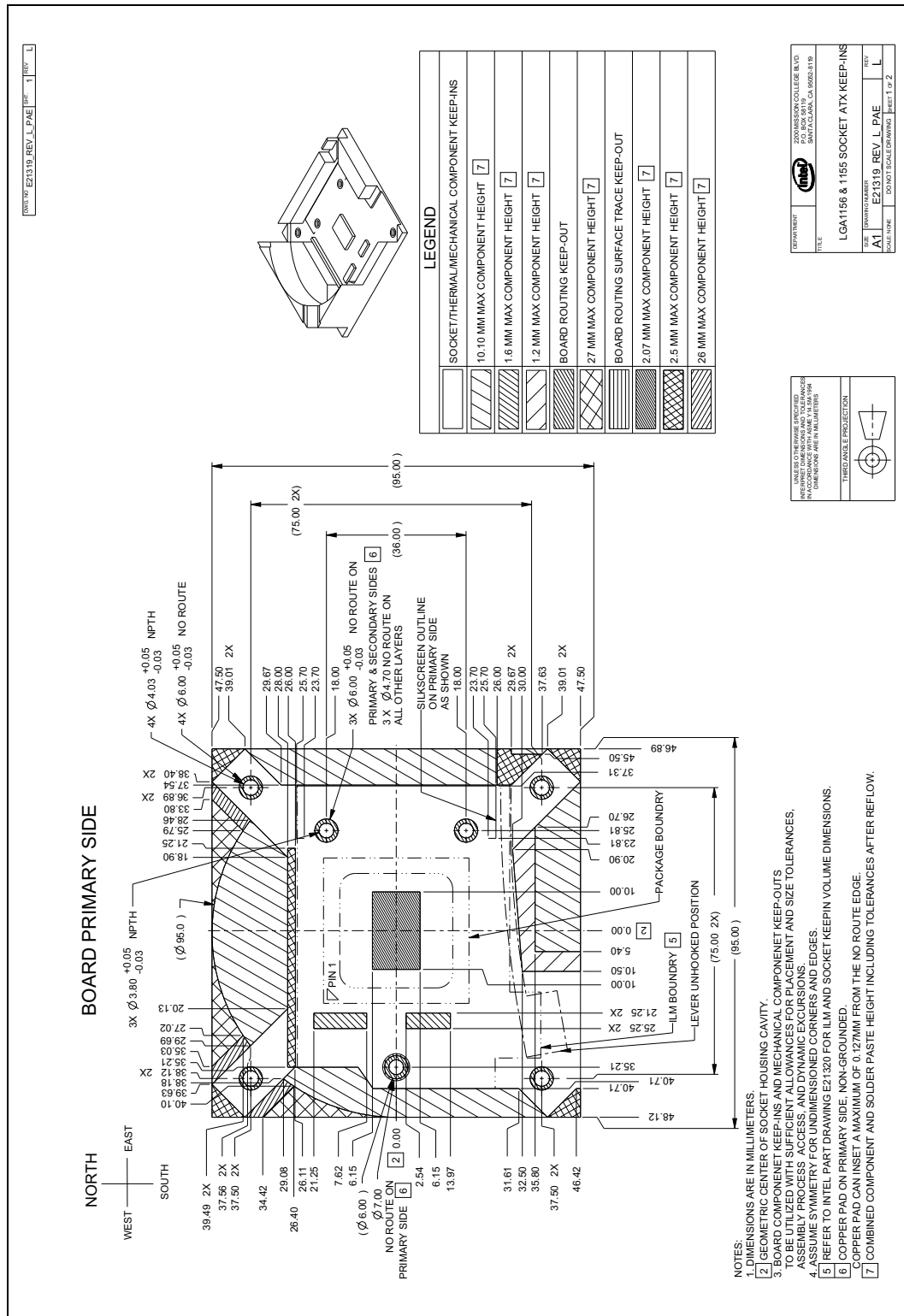


Figure B-2. Socket / Heatsink / ILM Keepout Zone Secondary Side (Bottom)

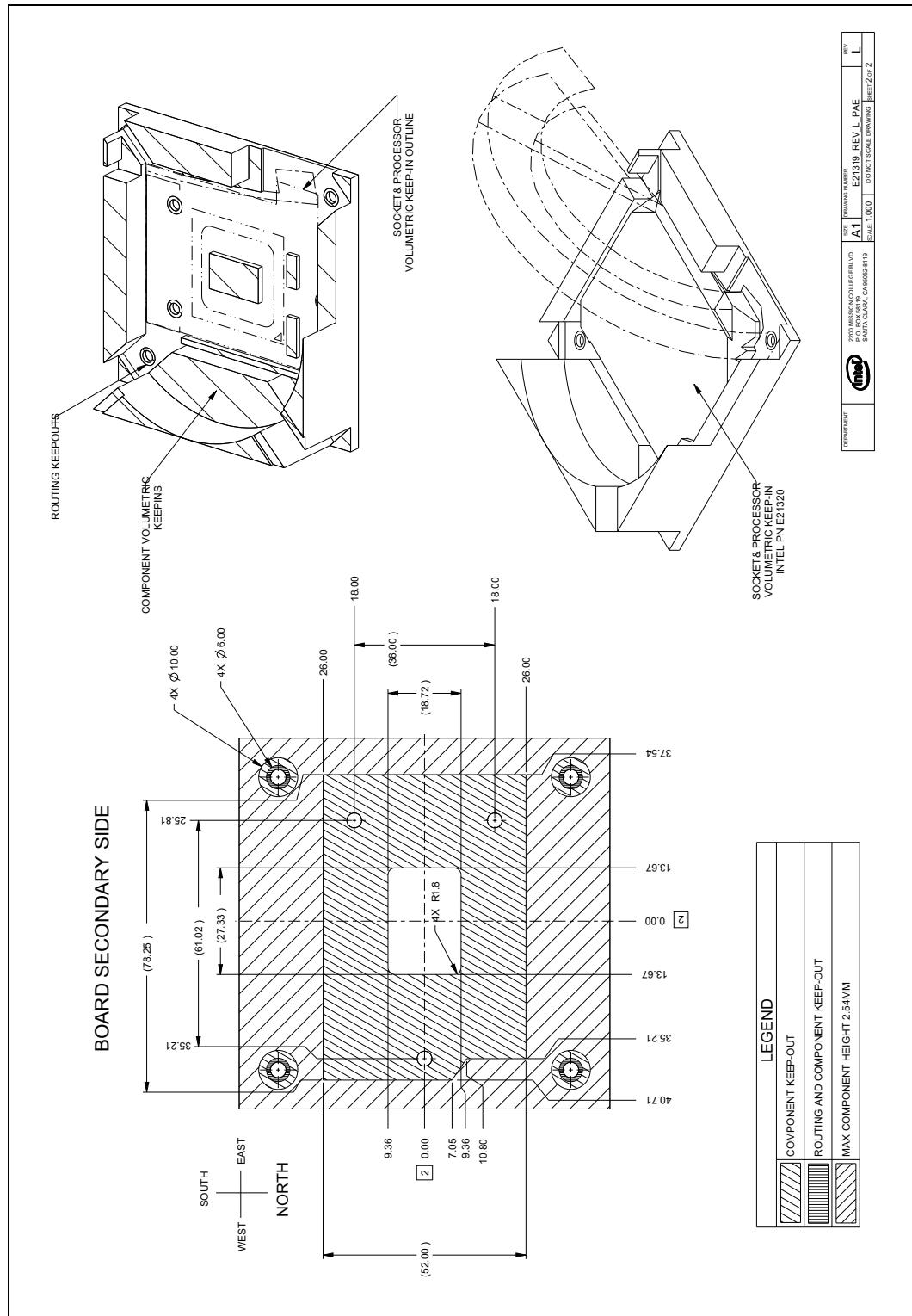




Figure B-4. Socket / Processor / ILM Keepout Zone Secondary Side (Bottom)

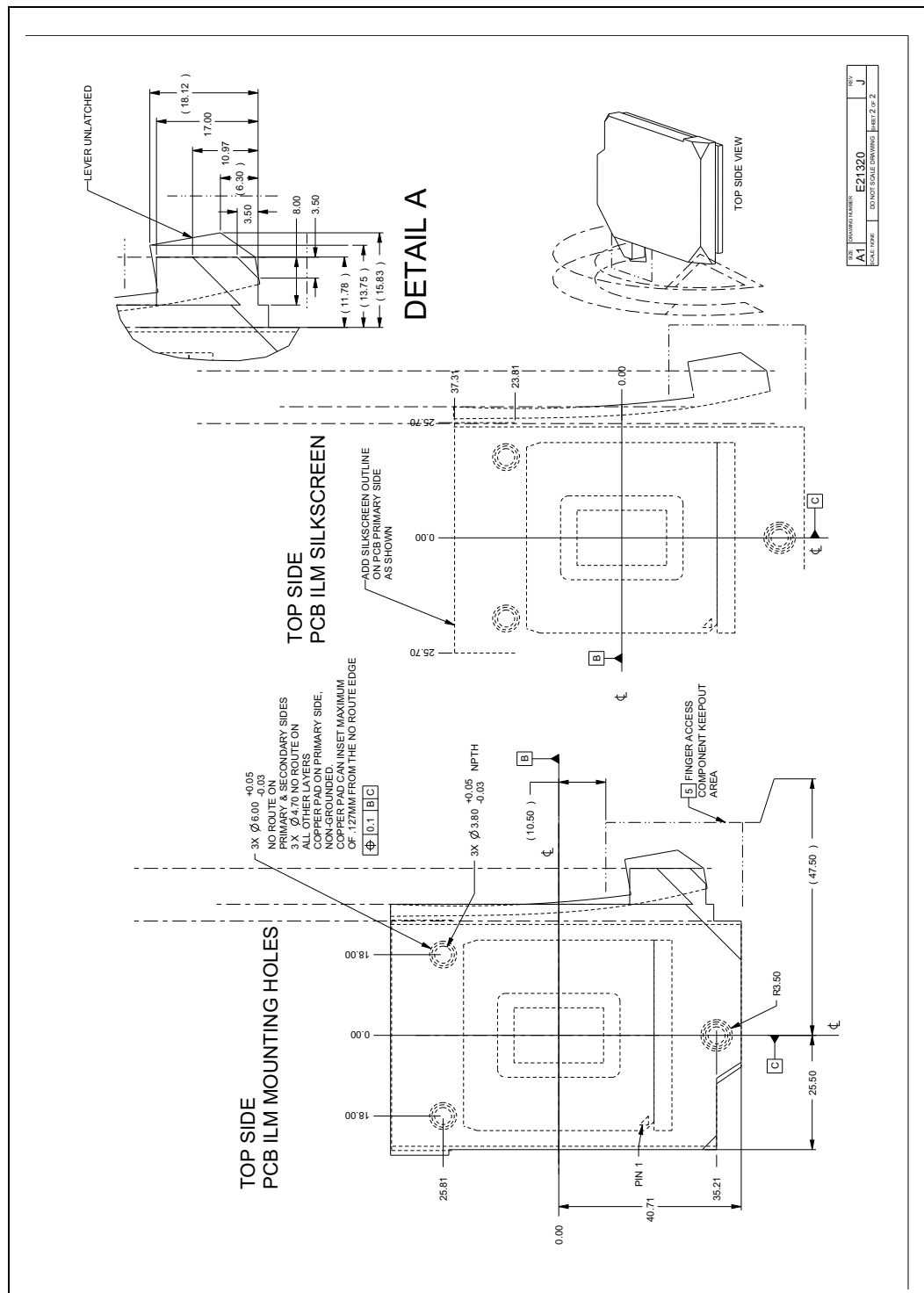


Figure B-5. Reference Design Heatsink Assembly

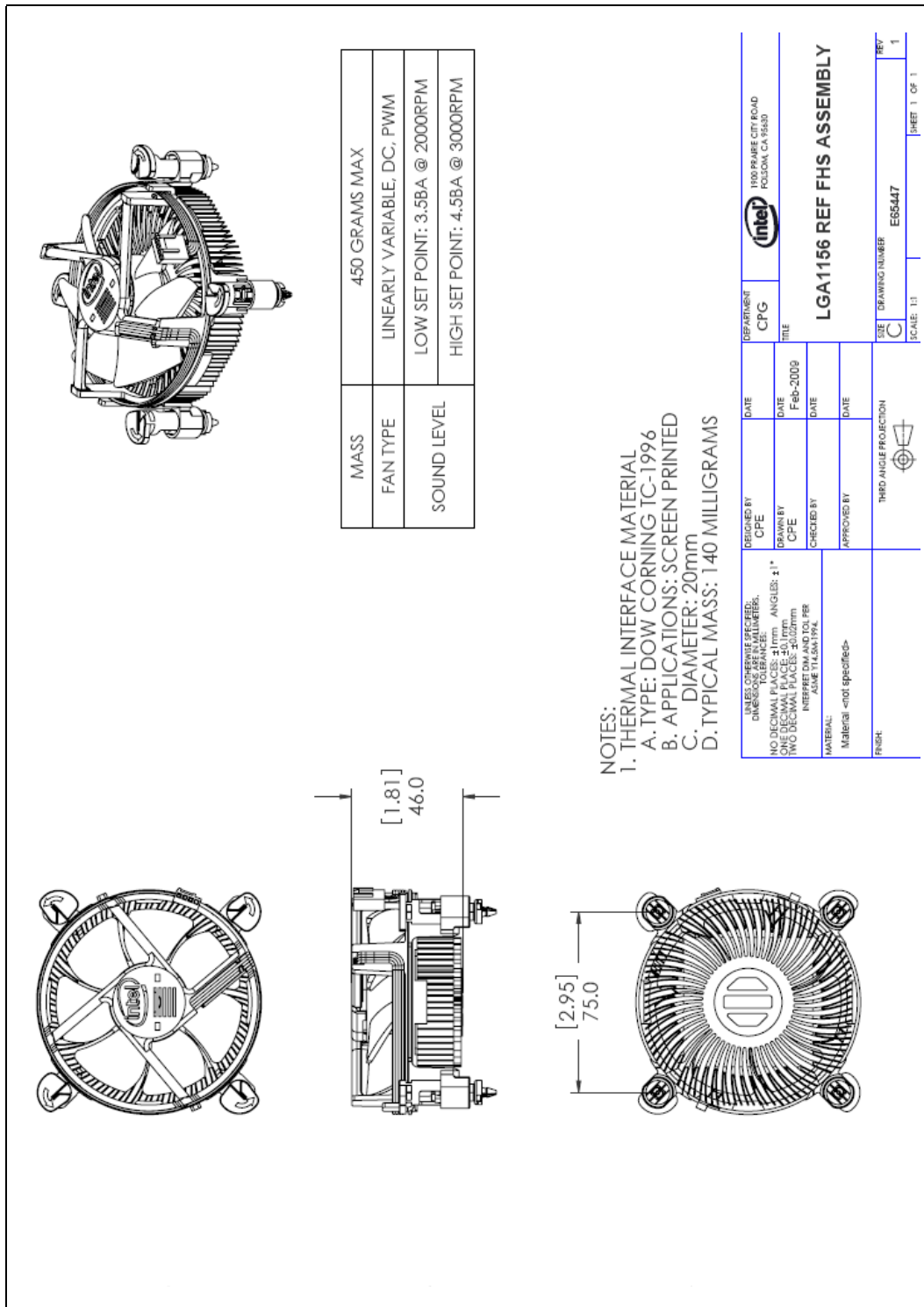


Figure B-8. Reference Fastener (Sheet 3 of 4)

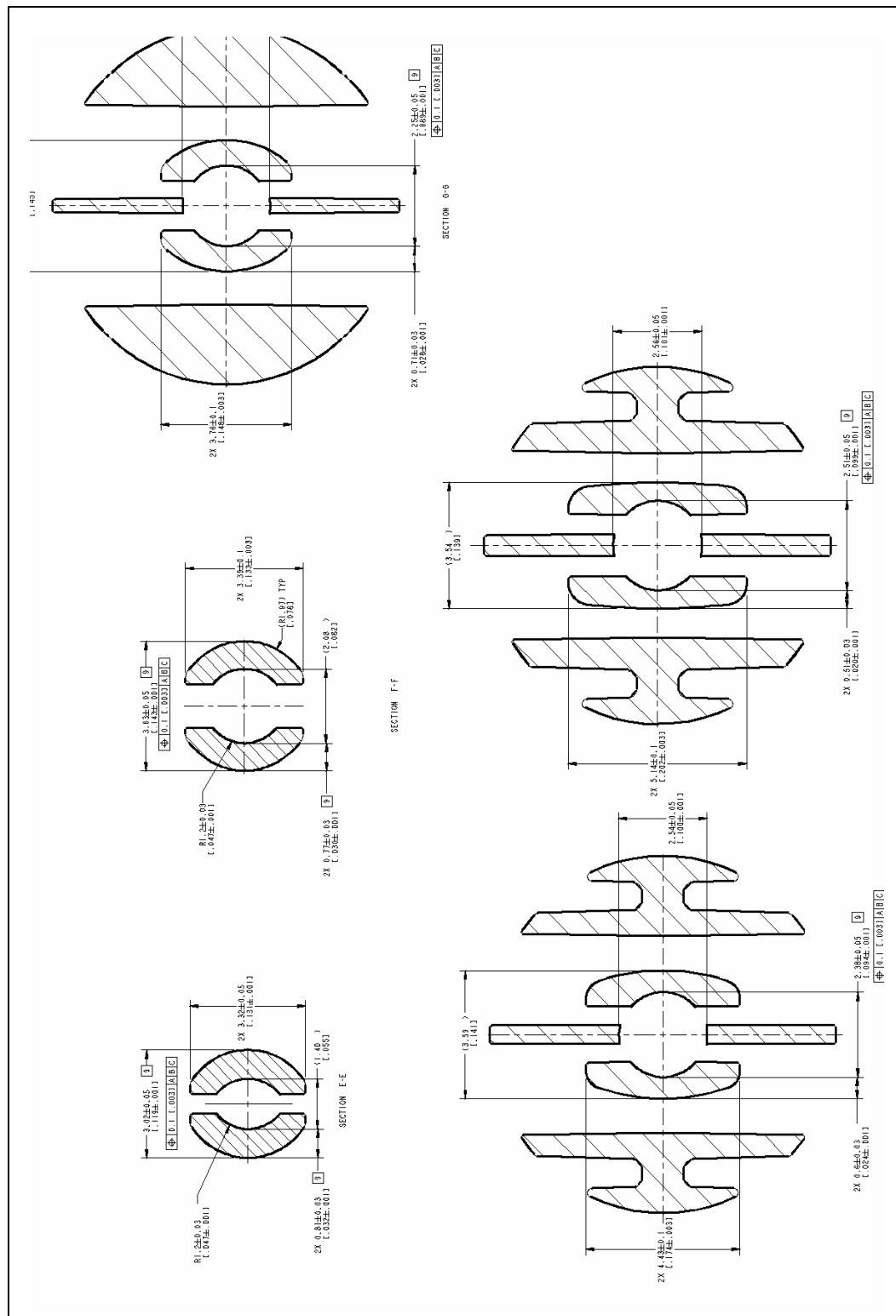


Figure B-11. Reference Clip (Sheet 2 of 2)

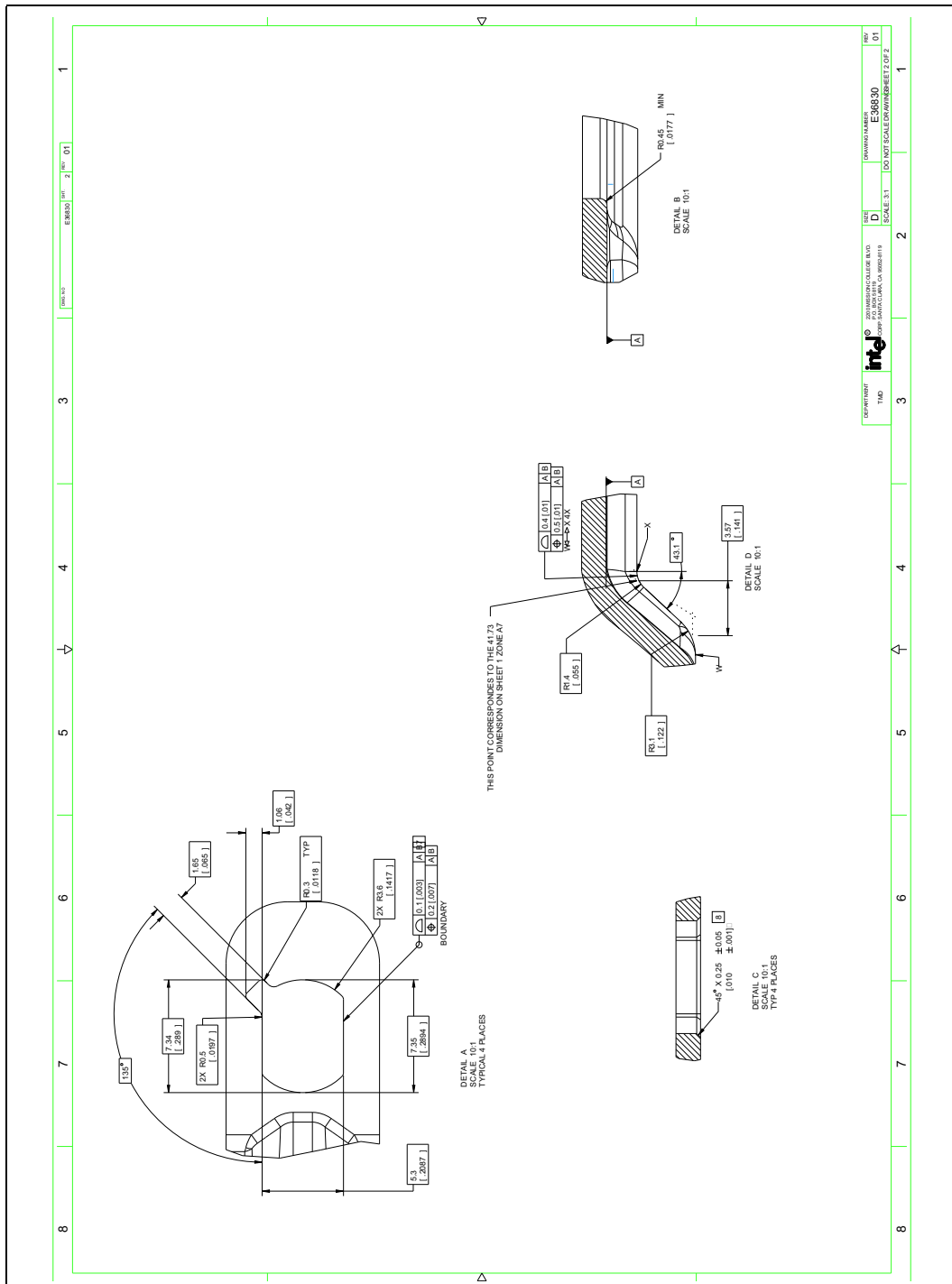
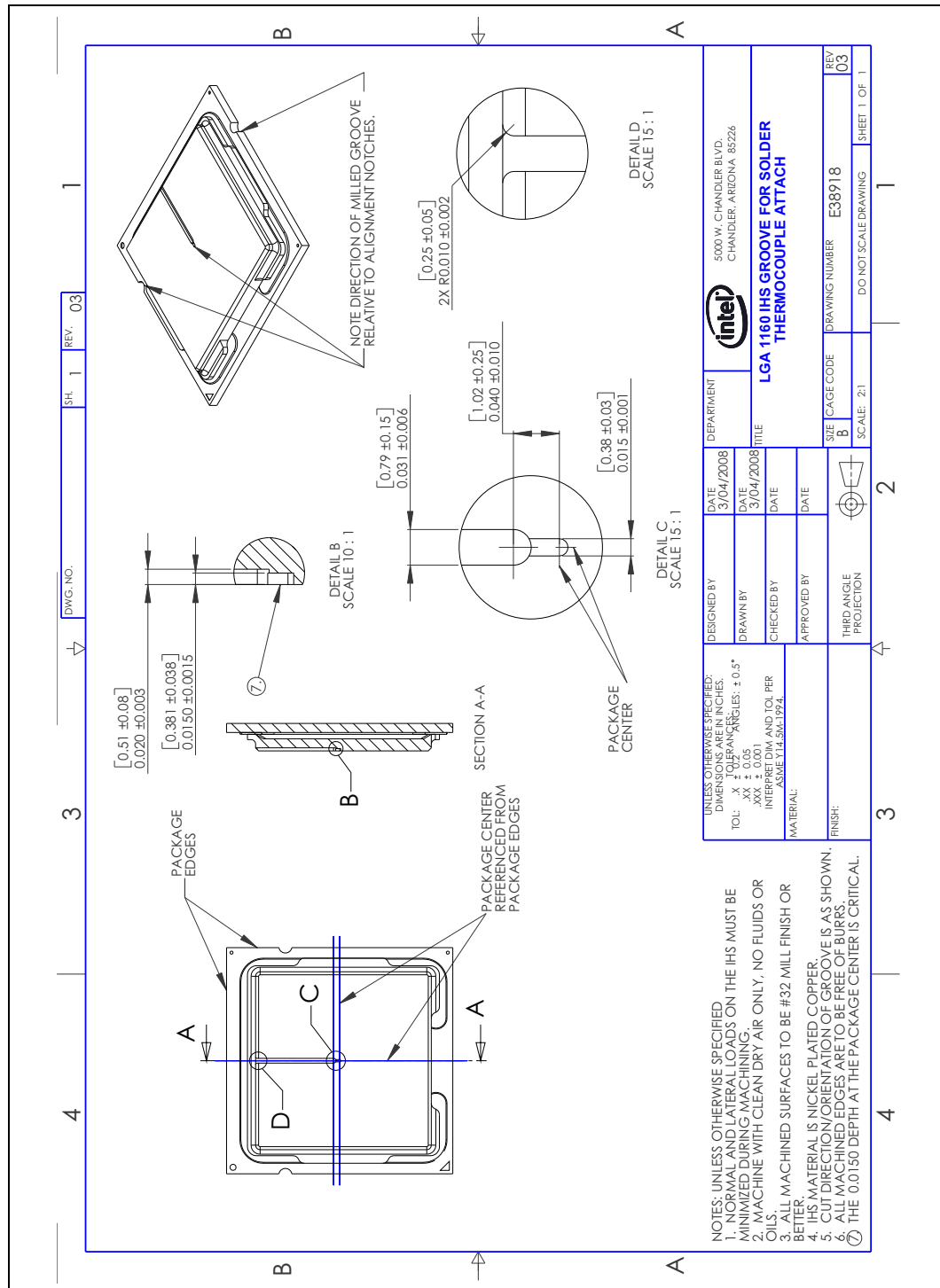




Figure B-12. Thermocouple Attach Drawing





§



C Socket Mechanical Drawings

Table C-1 lists the mechanical drawings included in this appendix.

Table C-1. Mechanical Drawing List

Drawing Description	Figure Number
"Socket Mechanical Drawing (Sheet 1 of 4)"	Figure C-1
"Socket Mechanical Drawing (Sheet 2 of 4)"	Figure C-2
"Socket Mechanical Drawing (Sheet 3 of 4)"	Figure C-3
"Socket Mechanical Drawing (Sheet 4 of 4)"	Figure C-4

Figure C-1. Socket Mechanical Drawing (Sheet 1 of 4)

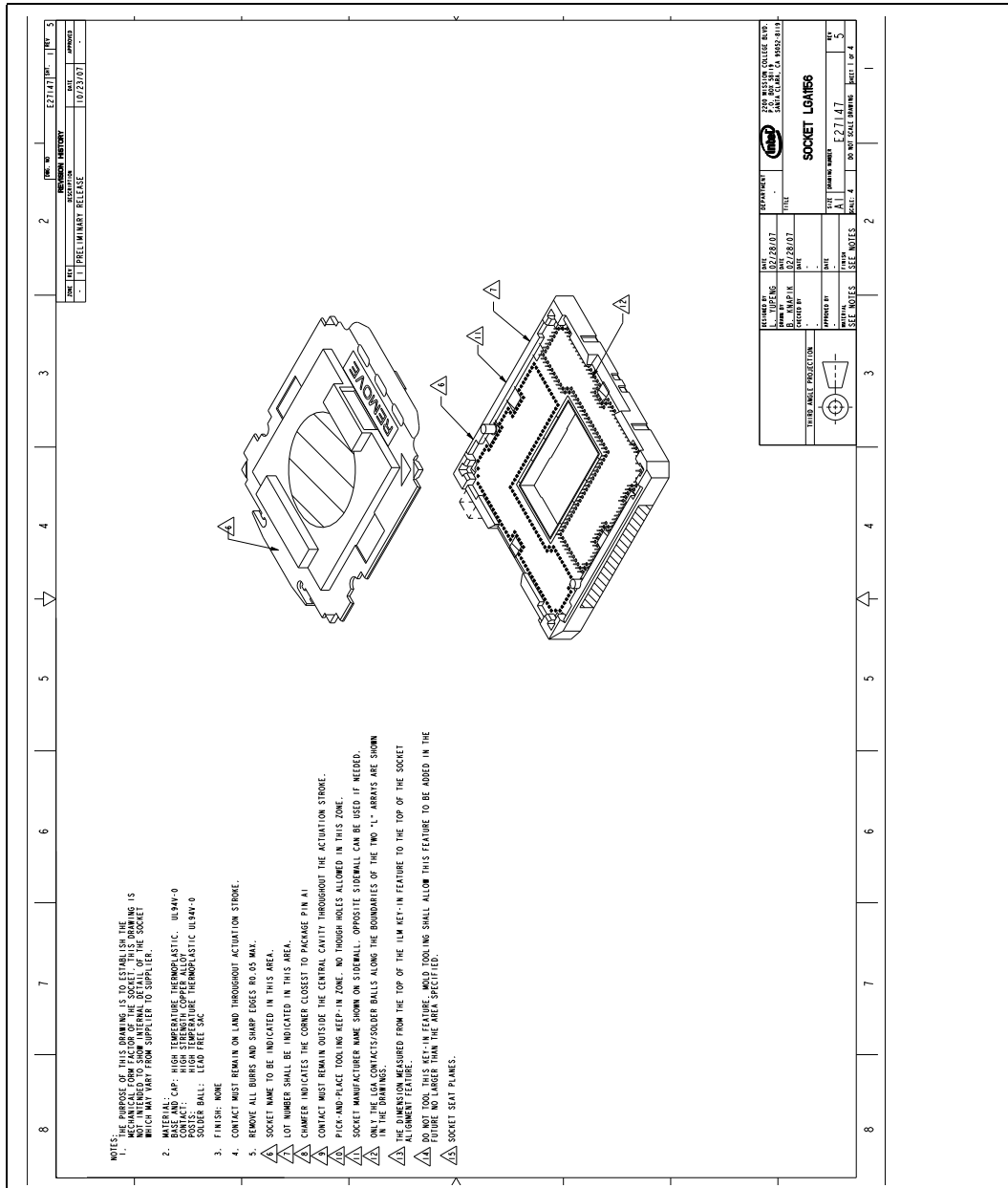


Figure C-3. Socket Mechanical Drawing (Sheet 3 of 4)

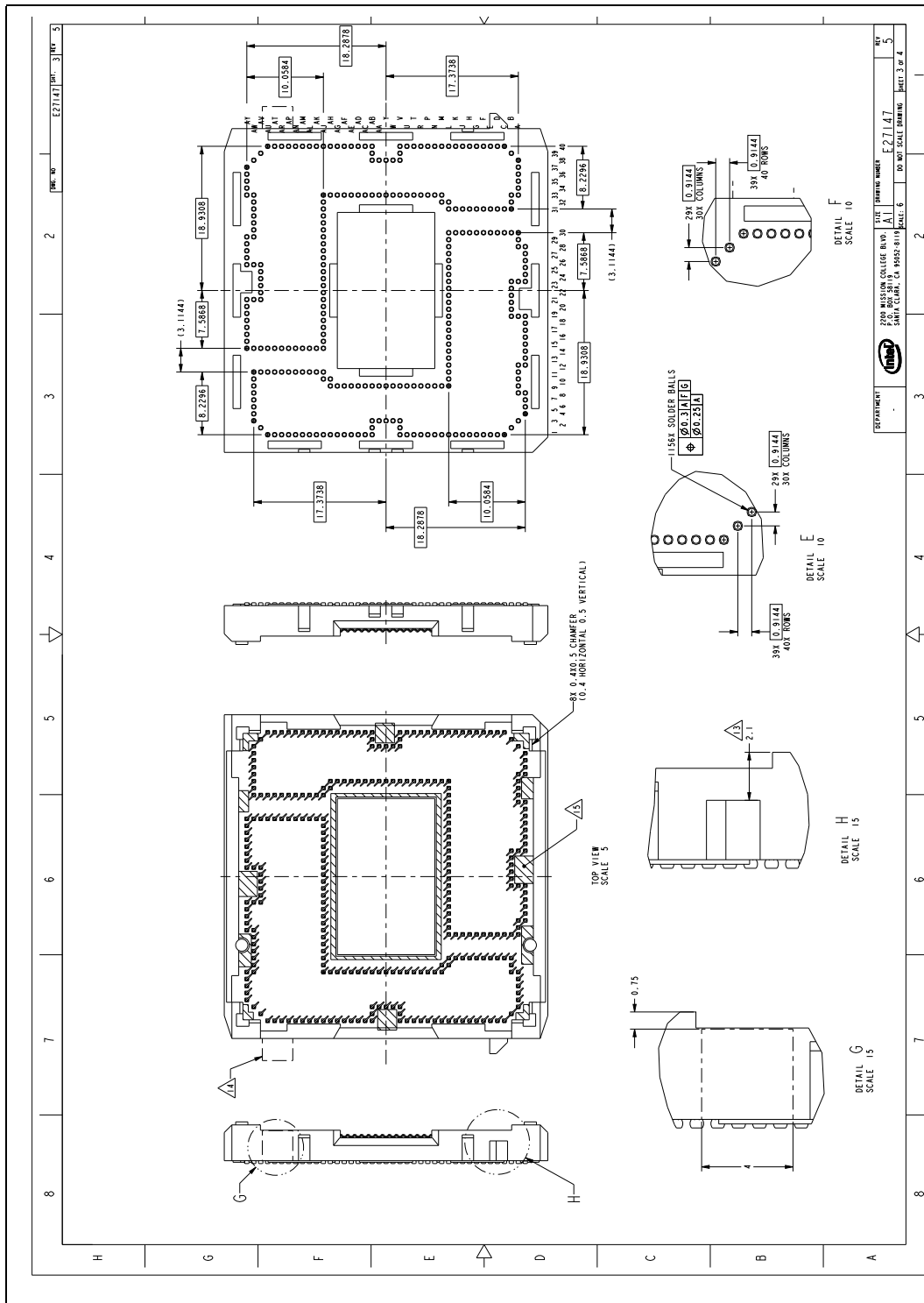
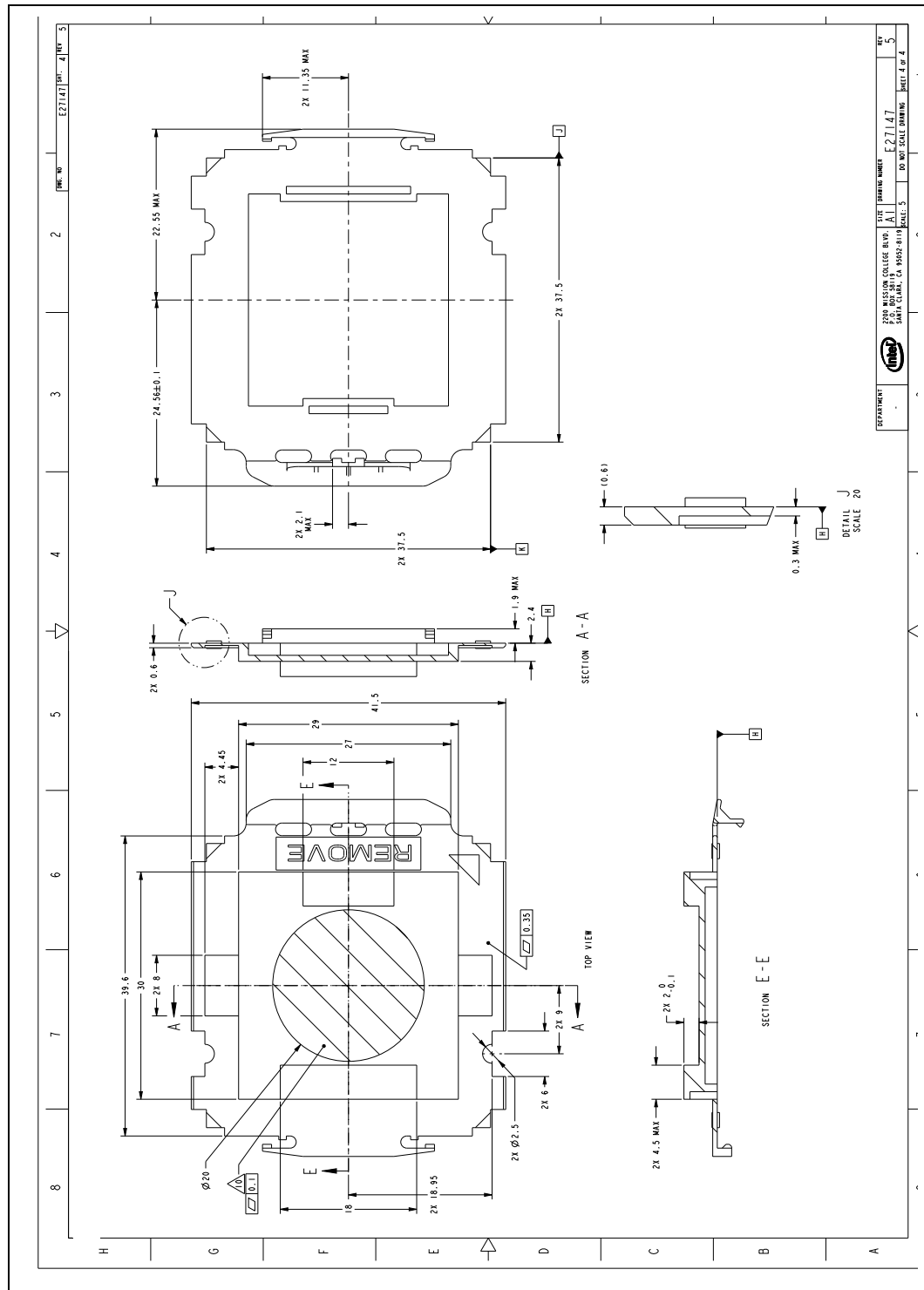




Figure C-4. Socket Mechanical Drawing (Sheet 4 of 4)



§





D Package Mechanical Drawings

Table D-1 lists the mechanical drawings included in this appendix.

Table D-1. Mechanical Drawing List

Drawing Description	Figure Number
"Processor Package Drawing (Sheet 1 of 2)"	Figure D-1
"Processor Package Drawing (Sheet 2 of 2)"	Figure D-2

Figure D-1. Processor Package Drawing (Sheet 1 of 2)

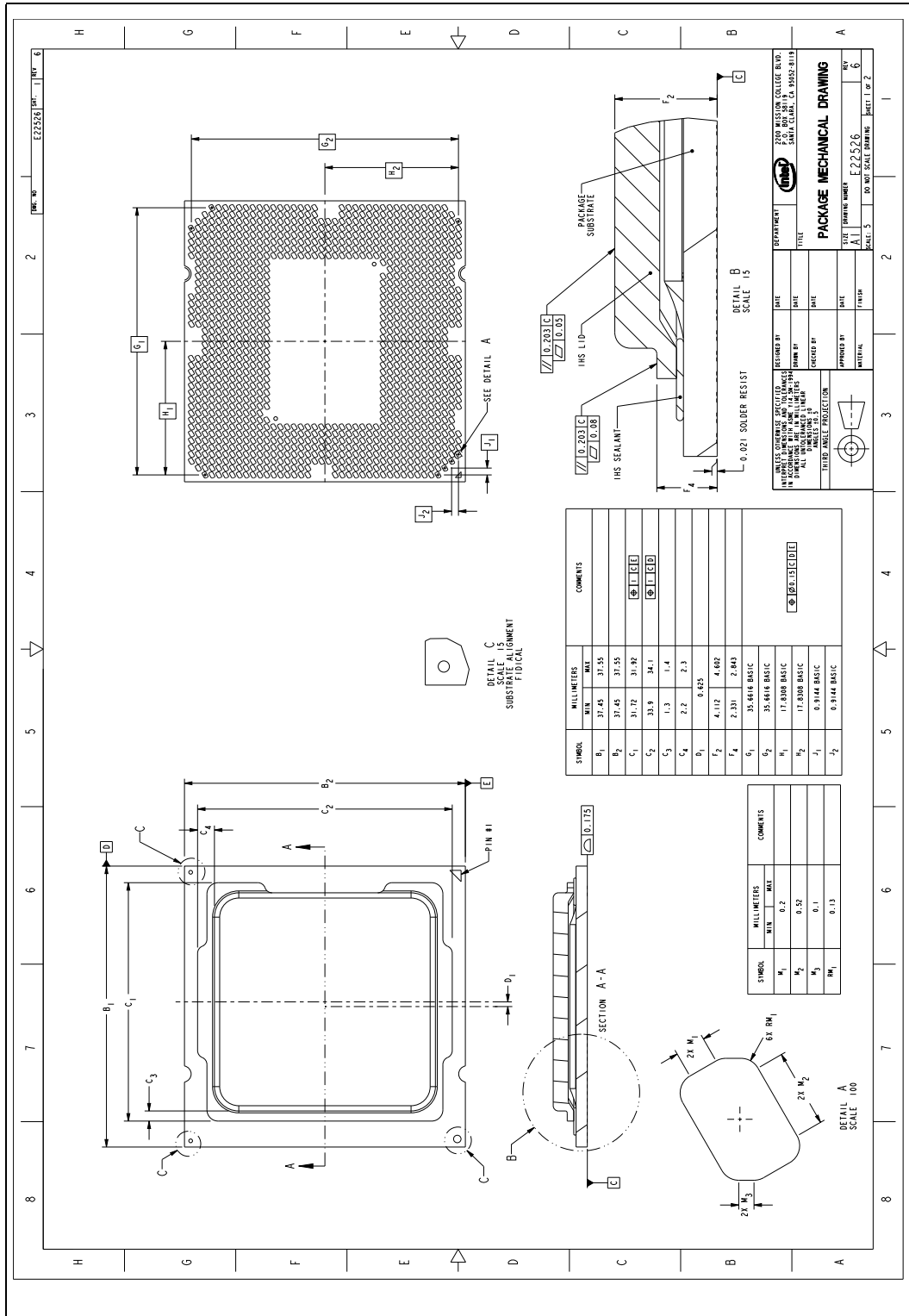
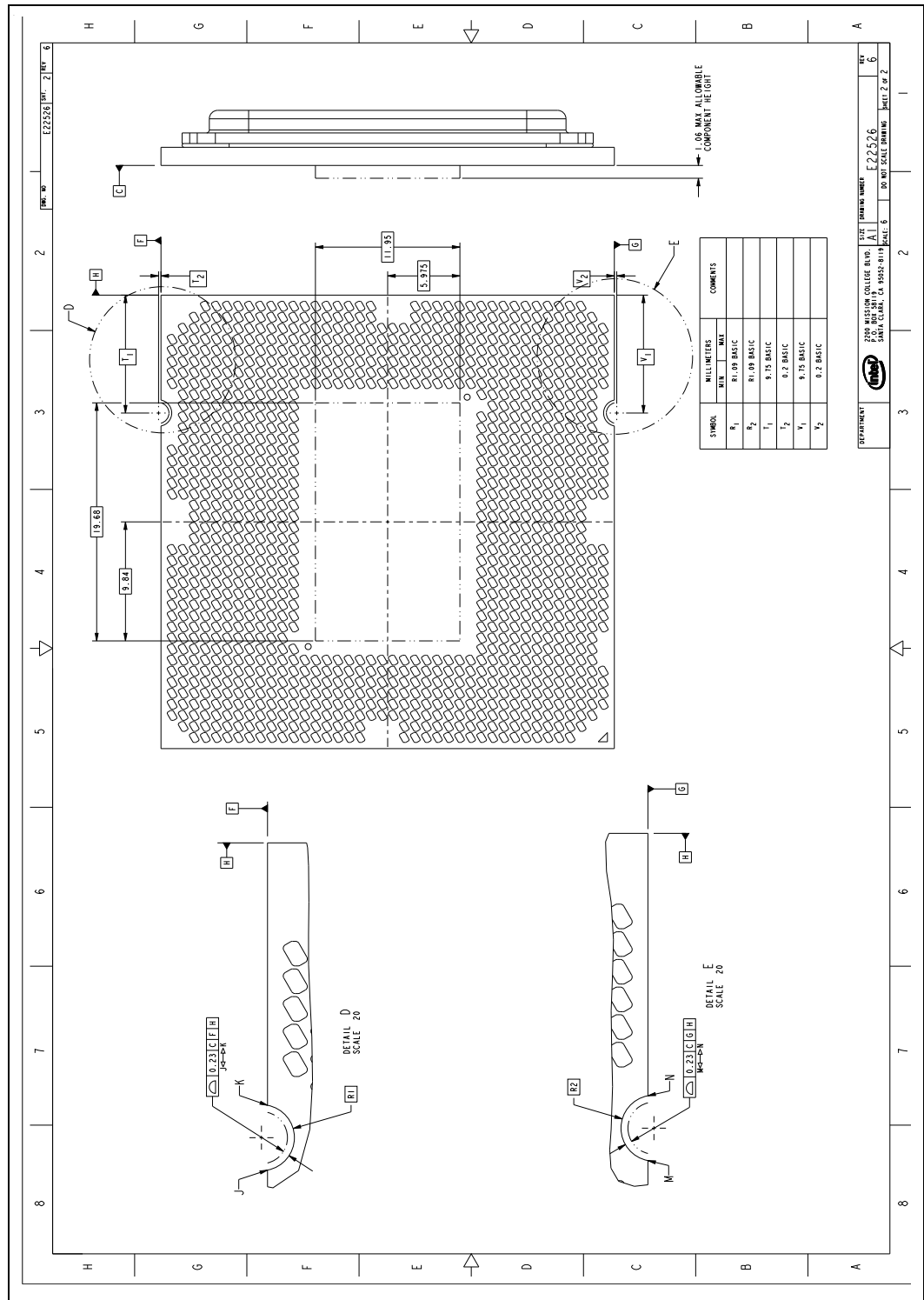




Figure D-2. Processor Package Drawing (Sheet 2 of 2)







E Heat Sink Back Plate Drawings

This heat sink back plate design is intended to adapt as a reference for OEMs that use threaded fasteners on customized thermal solution, to comply with the mechanical and structural requirements for the LGA1156 socket. The heat sink back plate does not have to provide additional load for socket solder joint protect. Structural design strategy for the heat sink is to provide sufficient load for the Thermal Interface Material (TIM) and to minimize stiffness impact on the motherboard.

Note: Design modifications for specific application and manufacturing are the responsibility of OEM and the listed vendors for customized system implementation and validation. These vendors and devices are listed by Intel as a convenience to Intel's general customer base, but Intel does not make any representations or warranties whatsoever regarding quality, reliability, functionality, or compatibility of these devices. Customers are responsible for thermal, mechanical, and environmental validation of these solutions. This list and/or these devices may be subject to change without notice.

Please refer to the motherboard keep out zone listed in [Appendix B](#) to ensure compliant with the heat sink back plate implementation. [Figure E-1](#) is the heat sink back plate keep in zone for the design implementation.

[Table E-1](#) lists the mechanical drawings included in this appendix. [Table E-2](#) lists the mechanical drawings.

Table E-1. Mechanical Drawing List

Drawing Description	Figure Number
"Heat Sink Back Plate Keep In Zone"	Figure E-1
"Heat Sink Back Plate"	Figure E-2

Table E-2. Supplier Contact Information

Supplier	Contact	Phone	Email
CCI (Chaun Choung Technology Corp.)	Monica Chih	+886-2-29952666 x1131	monica_chih@ccic.com.tw

The enabled components may not be currently available from supplier. Contact the supplier directly to verify time of component availability.

Figure E-1. Heat Sink Back Plate Keep In Zone

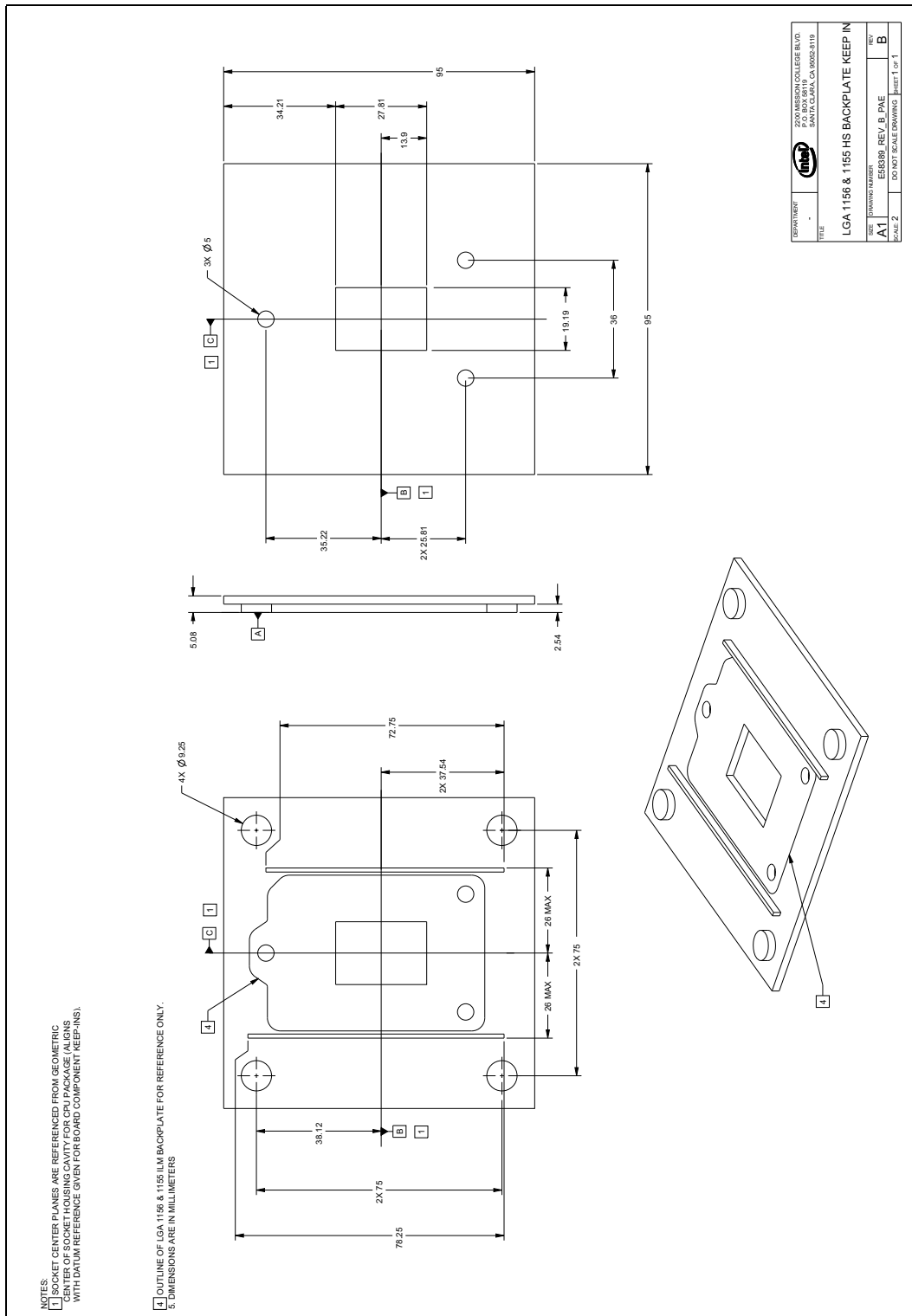




Figure E-2. Heat Sink Back Plate

