



# D410PT

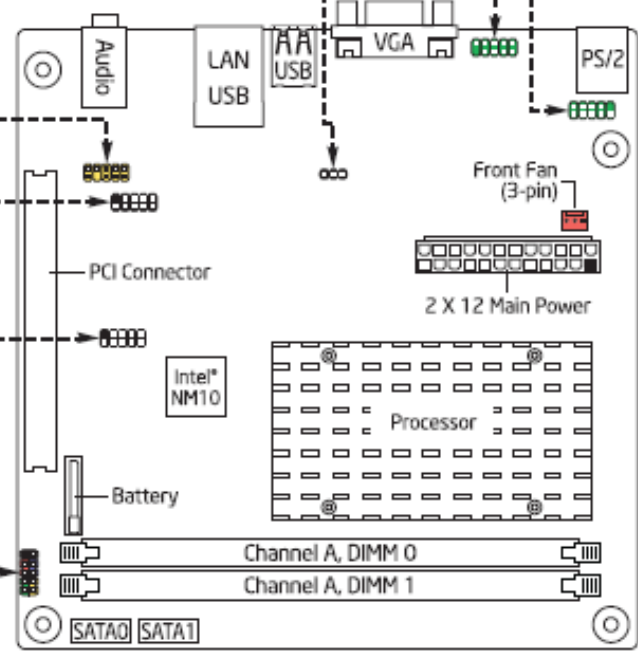
Audio (Intel® HD Audio)		AC '97 Audio	
Port1L	1 2 Ground	MIC	1 2 AUD_GND
Port1R	3 4 Presence#	MIC_BIAS	3 4 AUD_GND
Port2R	5 6 Sense1_Ret	FP_OUT_R	5 6 FP_RETURN_R
Sense_Send	7 Key (no pin)	AUD_SV	7 Key (no pin)
Port2L	9 10 Sense2_Ret	FP_OUT_L	9 10 FP_RETURN_L

Serial 1/Serial 2	
DCD	1 2 RXD#
TXD#	3 4 DTR
Ground	5 6 DSR
RTS	7 8 CTS
R	9 NC

BIOS Configuration Jumper Block	
1-2	Normal
2-3	Configuration
No jumper	Recovery

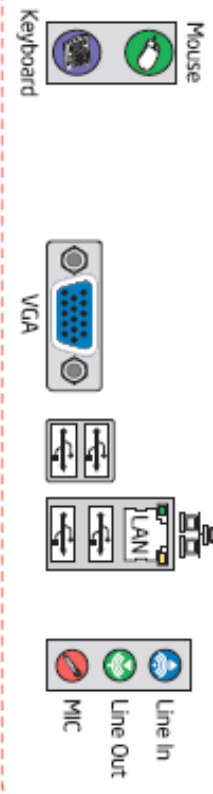
Front Panel USB 1/USB 2	
+5 V	1 2 +5 V
D-	3 4 D-
D+	5 6 D+
Ground	7 8 Ground
Key (no pin)	10 NC

Front Panel	
Key (no pin)	8 +5V DC
On/Off	7 Reset
Power LED	4 3 HD LED
	2 1



## CAUTION

Risk of explosion if the battery is replaced with an incorrect type. Batteries should be recycled where possible. Disposal of used batteries must be in accordance with local environmental regulations.



Attach this label near the back panel connectors.

Attach this label to the inside surface of the chassis.

E74520-002

Copyright © 2009, Intel Corporation. All rights reserved.  
 \*Other names and brands may be claimed as the property of others.