

Rack Conversion Kit Installation Guide: Intel® Server Chassis SC5300

Order Number: C54952-002

C54952-002



Disclaimer

Information in this document is provided in connection with Intel® products. No license, express or implied, by estoppel or otherwise, to any intellectual property rights is granted by this document. Except as provided in Intel's Terms and Conditions of Sale for such products, Intel assumes no liability whatsoever, and Intel disclaims any express or implied warranty, relating to sale and/or use of Intel products including liability or warranties relating to fitness for a particular purpose, merchantability, or infringement of any patent, copyright or other intellectual property right. Intel products are not designed, intended or authorized for use in any medical, life saving, or life sustaining applications or for any other application in which the failure of the Intel product could create a situation where personal injury or death may occur. Intel may make changes to specifications and product descriptions at any time, without notice.

Intel is a registered trademark of Intel Corporation or its subsidiaries in the United States and other countries.

* Other names and brands may be claimed as the property of others.

Copyright © 2005 Intel Corporation. All Rights Reserved.

Important Safety Instructions

Important Safety Instructions

Read all caution and safety statements in this document before performing any of the instructions. See *Intel Server Boards and Server Chassis Safety Information* at <http://support.intel.com/support/motherboards/server/sb/cs-010770.htm>.

Wichtige Sicherheitshinweise

Lesen Sie zunächst sämtliche Warn- und Sicherheitshinweise in diesem Dokument, bevor Sie eine der Anweisungen ausführen. Beachten Sie hierzu auch die Sicherheitshinweise zu Intel-Serverplatinen und -Servergehäusen unter <http://support.intel.com/support/motherboards/server/sb/cs-010770.htm>.

重要安全指导

在执行任何指令之前，请阅读本文档中的所有注意事项及安全声明。和/或 <http://support.intel.com/support/motherboards/server/sb/cs-010770.htm> 上的 *Intel Server Boards and Server Chassis Safety Information*（《Intel 服务器主板与服务器机箱安全信息》）。

Consignes de sécurité

Lisez attention toutes les consignes de sécurité et les mises en garde indiquées dans ce document avant de suivre toute instruction. Consultez *Intel Server Boards and Server Chassis Safety Information* rendez-vous sur le site <http://support.intel.com/support/motherboards/server/sb/cs-010770.htm>.

Instrucciones de seguridad importantes

Lea todas las declaraciones de seguridad y precaución de este documento antes de realizar cualquiera de las instrucciones. Vea *Intel Server Boards and Server Chassis Safety Information* en <http://support.intel.com/support/motherboards/server/sb/cs-010770.htm>.

Warnings and Cautions

These warnings and cautions apply whenever you remove the Access Cover to access components inside the server. Only a technically qualified person should integrate and configure the server.

WARNINGS

The power button on the front panel DOES NOT turn off the AC power. To remove power from server, you must unplug the AC power cord from the wall outlet or the chassis.

Hazardous electrical conditions may be present on power, telephone, and communication cables. Turn off the server and disconnect the power cords, telecommunications systems, networks, and modems attached to the server before opening it. Otherwise, personal injury or equipment damage can result.

Hazardous voltage, current, and energy levels are present inside the power supply. There are no user-serviceable parts inside it; servicing should be done by technically qualified personnel.

CAUTIONS

ESD can damage disk drives, boards, and other parts. Perform all procedures in this document only at an ESD workstation. If one is not available, provide ESD protection by wearing an anti-static wrist strap attached to chassis ground—any unpainted metal surface—on your server when handling parts.

Always handle boards carefully. They can be extremely sensitive to ESD. Hold boards only by their edges. Do not touch the connector contacts. After removing a board from its protective wrapper or from the server, place the board component side up on a grounded, static free surface. Use a conductive foam pad if available but not the board wrapper. Do not slide board over any surface.

For proper cooling and airflow, always install the Access Cover before turning on the server. Operating it without the cover in place can damage system parts.

Contents

Before You Begin	1
About the Rack Conversion Kit	1
Kit Content List.....	1
Tools and Supplies Needed.....	1
Rack Conversion Kit Installation Instructions	2
Remove the Primary Access Cover	2
Remove the Bezel Assembly	3
Remove Hot Swap Power Supply	4
Remove Top Cover	5
Remove Feet.....	5
Remove Floppy/CD-ROM/DVD Drives/Drive Fillers	6
Re-orient the Serial/USB Port Front Panel.....	7
Reinstall Floppy/CD-ROM/DVD Drives/Drive Fillers	8
Disconnecting Chassis Intrusion Switch	9
Install Handles	10
Install Rack Stud Screws	10
Reinstall Hot Swap Power Supply.....	11
Reinstall Bezel Assembly.....	12
Affix LED and Button Label to Inner Bezel Door	15
Replace Primary Access Cover	16
Install Rack Mount Rail Kit	16

Figures

Figure 1. Removing Access Cover.....	2
Figure 2. Removing Bezel Assembly	3
Figure 3. Removing the Hot Swap Power Supply	4
Figure 4. Installing Top Cover	5
Figure 5. Removing Feet.....	5
Figure 6. Removing Floppy/CD-ROM/DVD Drives	6
Figure 7. Removing Serial/USB Port Front Panel	7
Figure 8. Reorienting Serial/USB Port Front Panel.....	7
Figure 9. Re-orienting Floppy/CD-ROM/DVD Drives	8
Figure 10. Disconnecting Chassis Intrusion Switch on Front Panel Control Board	9
Figure 11. Installing Suitcase Jumper on Chassis Intrusion Switch.....	9
Figure 12. Installing Handles on Chassis.....	10
Figure 13. Installing Rack Stud Screws.	10
Figure 14. Reinstalling Hot Swap Power Supply.....	11
Figure 15. Removing Outer Bezel Door from Bezel Assembly	12
Figure 16. Re-orienting Filler Panels.....	13
Figure 17. Installing Inner Bezel Door.....	14
Figure 18. Installing Hinge Cover.....	14
Figure 19. Affixing LED and Button Sticker to Inner Bezel Door.....	15
Figure 20. Replacing Primary Access Cover	16

Before You Begin

Before removing the Access Cover for any reason, observe these safety guidelines.

1. Turn off all peripheral devices connected to the server.
2. Turn off the server by pressing the power button on the front of the chassis. Then unplug the AC power cord from the chassis or wall outlet.
3. Label and disconnect all peripheral cables and all telecommunication lines connected to I/O connectors or ports on the back of the chassis.
4. Provide electrostatic discharge (ESD) protection by wearing an anti-static wrist strap attached to a chassis ground—any unpainted metal surface—when handling components.

About the Rack Conversion Kit

Use the instructions in this Rack Conversion Kit Install Guide to convert an Intel® Server Chassis SC5300, SC5300 Base Redundant Power (BRP) or SC5300 LX from a pedestal/tower configuration to a rack mount configuration.

Kit Content List

Each Rack Conversion Kit contains the following:

Rack Conversion Kit (ARIGRACK)

Item	Quantity
Front Panel Sticker	1
Handle	2
Handle Screw	6
Rack Stud Screw	6
Hinge Cover	1
Suitcase Jumper	1
This Manual	1

Tools and Supplies Needed

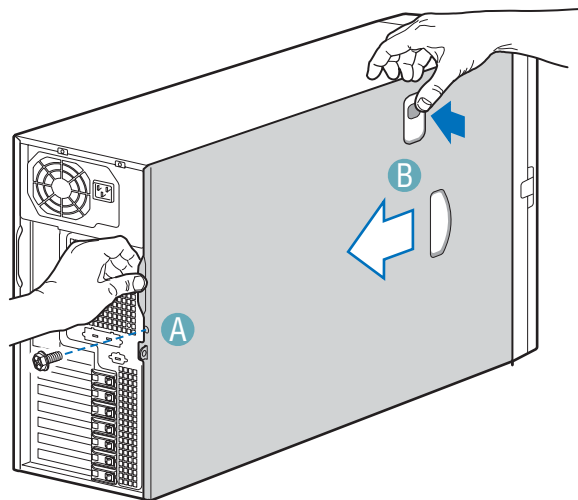
- Phillips* (cross head) screwdriver (#2 bit)
- Flat-head screwdriver
- Anti-static wrist strap (recommended)
- Screws/fasteners (included with your server chassis)

Rack Conversion Kit Installation Instructions

Remove the Primary Access Cover

When your Intel® Server Chassis SC5300, SC5300BRP, or SC5300LX is in the upright (tower/pedestal) position, and you are facing the front of it, the Primary Access Cover is on the left side.

1. Observe all safety and ESD precautions listed at the beginning of this document.
2. Power the system off and disconnect all power cables.
3. Remove the shipping screw, if necessary (letter “A”).
4. Press the latch (letter “B”) and slide the cover towards the rear of the chassis.
5. Lift the cover outward to remove it.



TP01041

Figure 1. Removing Access Cover

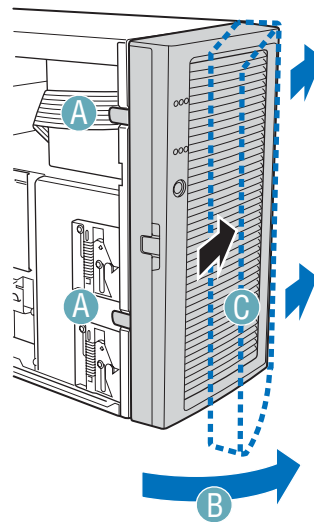
Remove the Bezel Assembly

1. Release the two plastic tabs (letter “A”) on the left side of the Bezel Assembly to disengage the tabs.
2. Rotate the Bezel Assembly (letter “B”) no more than 40 degrees outward.
3. At a 40-degree angle, push the Bezel Assembly away from the chassis (letter “C”). If Bezel Assembly does not immediately disconnect from the chassis, then tap the left-hand side of the Bezel Assembly to disengage the bezel hooks on the right-hand side of the chassis.



CAUTION

Do not rotate the Bezel Assembly more than 40 degrees or you will damage the bezel hooks on the right-hand side of the Bezel Assembly.



TP01042

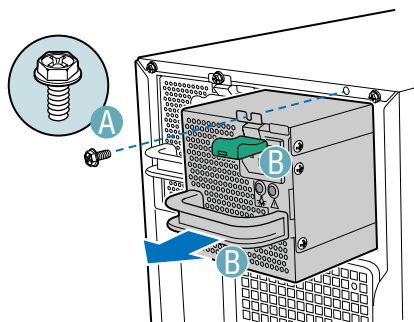
Figure 2. Removing Bezel Assembly

Remove Hot Swap Power Supply

⇒ NOTE

This step is only necessary on the Server Chassis SC5300 BRP and LX models.

1. Remove screw (letter “A”) securing power supply in place.
2. Press on green latch while pulling on handle (letter “B”) to remove power supply from chassis.
3. Repeat Steps 1-2 if a second hot swap power supply is installed.

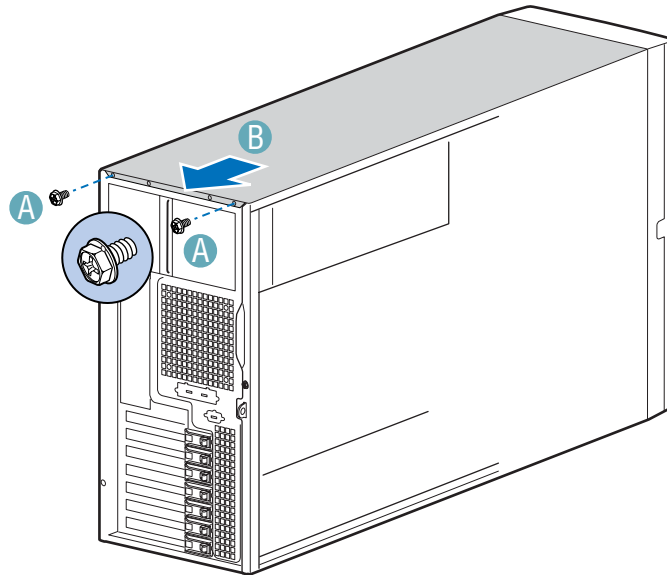


TP01044

Figure 3. Removing the Hot Swap Power Supply

Remove Top Cover

1. Remove two screws (letter “A”) securing Top Cover to chassis.
2. Slide Top Cover rearward (letter “B”) about 2 inches until it releases from the mounting brackets.

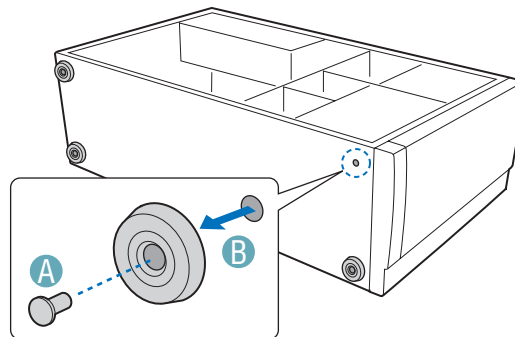


TP01045

Figure 4. Installing Top Cover

Remove Feet

1. Lay chassis on side.
2. Use a flat-head screwdriver to pop center plastic rivet (letter “A”) free from foot.
3. Remove foot (letter “B”).
4. Repeat Steps 2-3 for remaining feet.

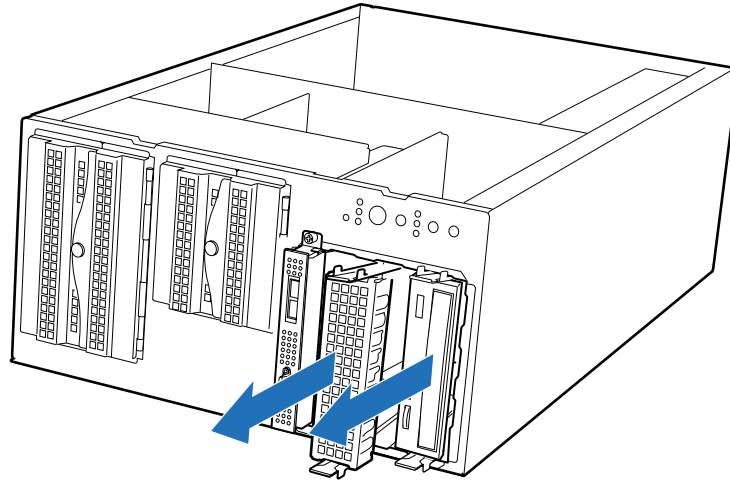


TP01046

Figure 5. Removing Feet

Remove Floppy/CD-ROM/DVD Drives/Drive Fillers

1. Remove power and data cables from all installed floppy, DVD or CDROM drives.
2. Remove floppy/CD-ROM/DVD drives and/or drive fillers from chassis.

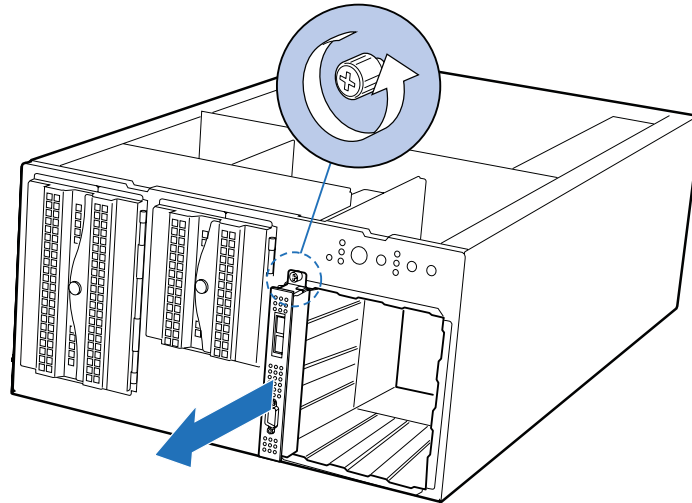


TP01049

Figure 6. Removing Floppy/CD-ROM/DVD Drives

Re-orient the Serial/USB Port Front Panel

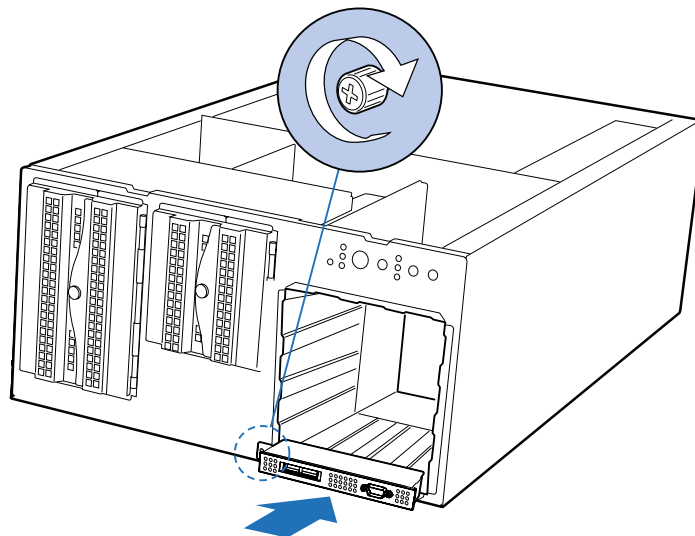
1. Remove any USB or serial port cables from the Serial/USB Port Front Panel.
2. Loosen the thumb screw and remove Serial/USB Port Front Panel from chassis.



TP01050

Figure 7. Removing Serial/USB Port Front Panel

3. Re-orient the Serial/USB Port Front Panel horizontally by lining up the Front Panel with the bottom slot. Insert the tab on the right-hand side of the Front Panel into the matching slot on the right-hand side of the chassis. Tighten the thumb screw.

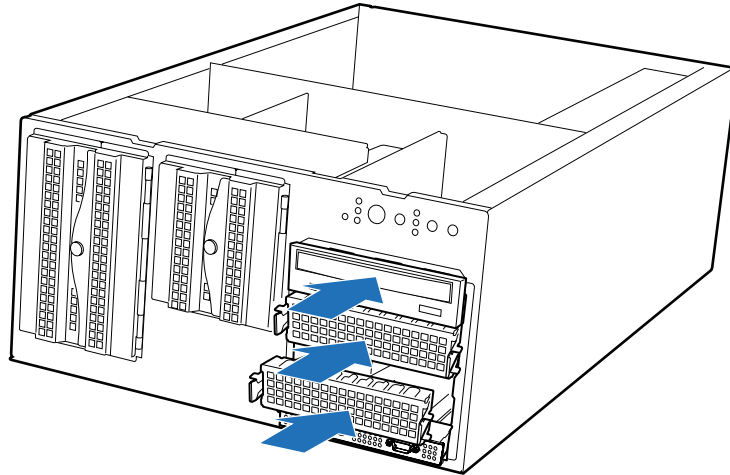


TP01133

Figure 8. Reorienting Serial/USB Port Front Panel

Reinstall Floppy/CD-ROM/DVD Drives/Drive Fillers

1. Re-install floppy/CDROM/DVD drives and/or drive fillers in the horizontal orientation.
2. Re-connect power and data cables to all installed floppy, DVD and CDROM drives.

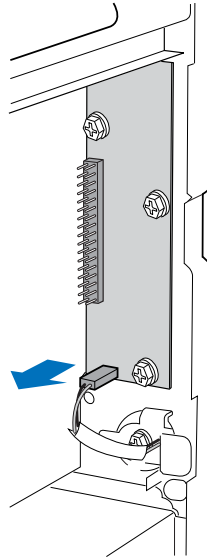


TP01051

Figure 9. Re-orienting Floppy/CD-ROM/DVD Drives

Disconnecting Chassis Intrusion Switch

1. Remove Chassis Intrusion Cable from Front Panel Control Board.



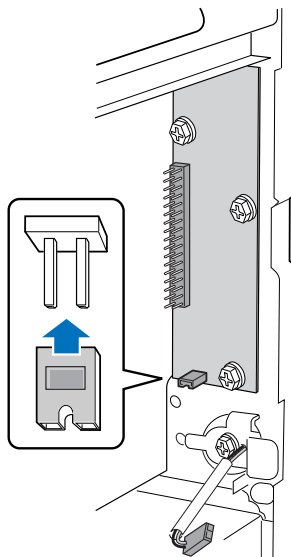
TP00633

Figure 10. Disconnecting Chassis Intrusion Switch on Front Panel Control Board

2. Install Suitcase Jumper on Chassis Intrusion Cable to prevent chassis intrusion alerts.

➤ **NOTE**

The Suitcase Jumper ships with your Rack Conversion Kit.



TP00632

Figure 11. Installing Suitcase Jumper on Chassis Intrusion Switch

Install Handles

1. Position a handle on the side of chassis and secure to chassis using the 3 screws provided. Handle should face outwards.
2. Repeat Step 1 for second handle on other side of chassis.

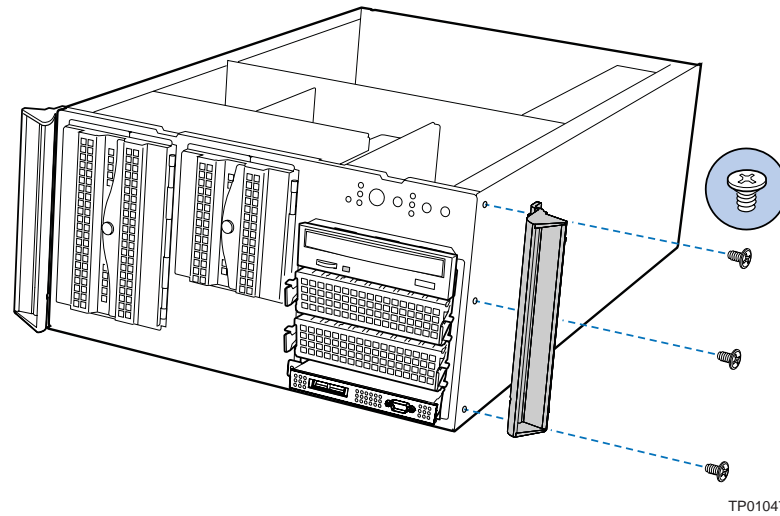


Figure 12. Installing Handles on Chassis

Install Rack Stud Screws

1. Position and secure 3 rack stud screws to each side of chassis.

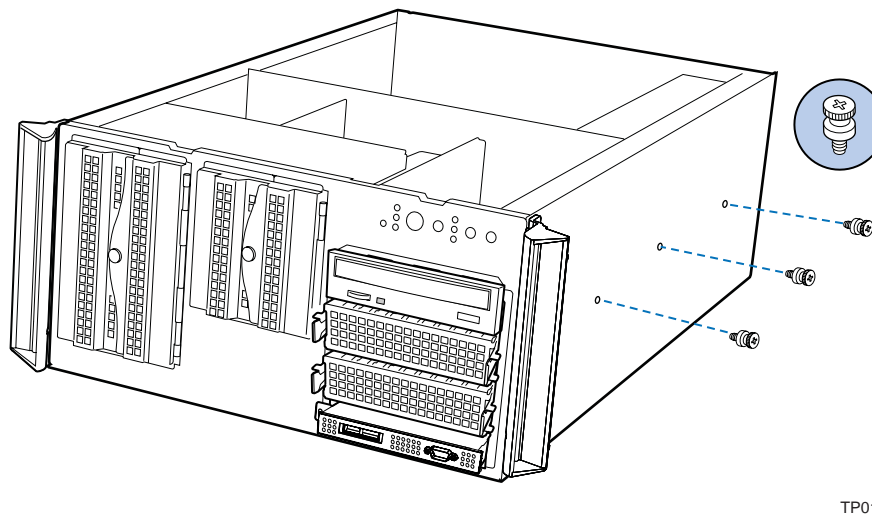


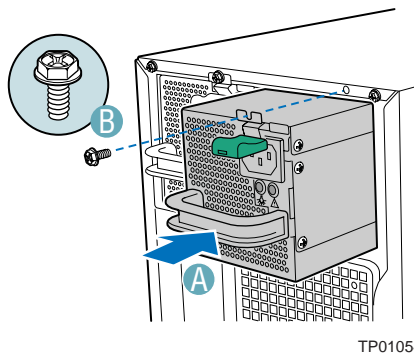
Figure 13. Installing Rack Stud Screws.

Reinstall Hot Swap Power Supply

⇒ **NOTE**

This step is only necessary on the Server Chassis SC5300 BRP and LX models.

1. Set chassis upright.
2. Insert hot swap power supply into chassis (letter “A”).
3. Secure power supply to chassis with screw (letter “B”).
4. Repeat Steps 1-3 if a second hot swap power supply needs to be reinstalled.



TP01054

Figure 14. Reinstalling Hot Swap Power Supply

Reinstall Bezel Assembly

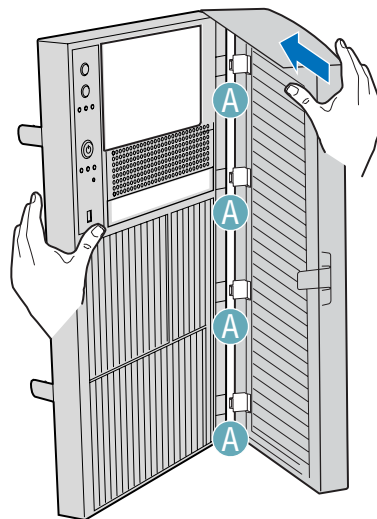
⇒ **NOTE**

The Bezel Assembly consists of two parts, an Inner Bezel Door and an Outer Bezel Door. Only the Inner Bezel Door is used when the chassis is configured for the rack-mount position.

1. Remove the Outer Bezel Door from the Bezel Assembly. With one hand supporting the Inner Bezel Door, use your other hand to push the Outer Bezel Door away. The Outer Bezel Door will disengage from the Inner Bezel Door at the four hinges (letter “A”).

⚠ **CAUTION**

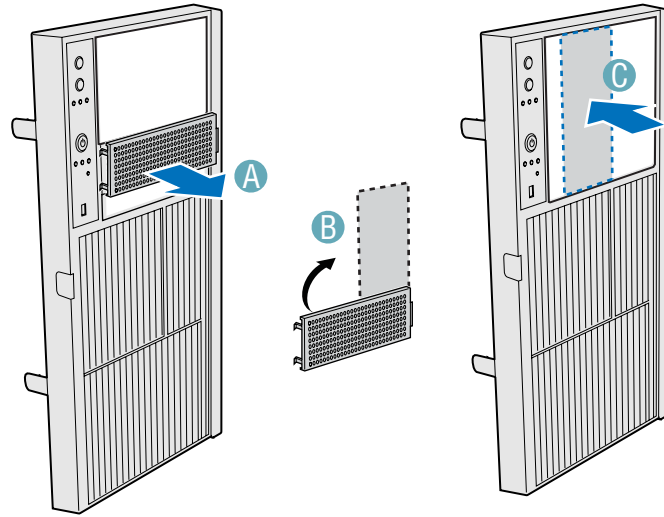
Only open the Outer Bezel Door slightly (about 20 degrees) before removing it. Opening the Outer Bezel Door all the way before removing may break the hinges.



TP01055

Figure 15. Removing Outer Bezel Door from Bezel Assembly

2. If necessary, re-orient plastic filler panel(s) to correspond with uninstalled drives by removing the filler panel (letter "A"), turning it vertically (letter "B"), and reinstalling it (letter "C") into the Inner Bezel Door.



TP01129

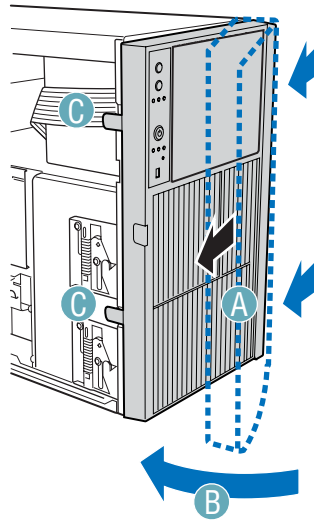
Figure 16. Re-orienting Filler Panels

3. Fit the right-hand side of the Inner Bezel Door against the right-hand side of chassis and engage plastic bezel hooks (letter “A”) into raised metal slots at chassis edge. Rotate Inner Bezel Door inward (letter “B”) and latch the two plastic tabs (letter “C”) to left-hand side of chassis.



CAUTION

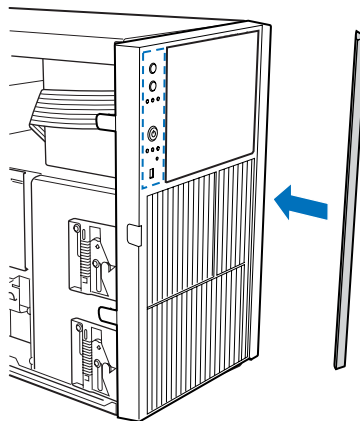
Do not attach Inner Bezel Door to chassis at more than a 40-degree angle or you will damage the bezel hooks at the right-hand side of the Inner Bezel Door.



TP01130

Figure 17. Installing Inner Bezel Door

4. Install Hinge Cover to Inner Bezel Door by aligning Hinge Cover with the right-hand side of Inner Bezel Door. Press firmly on Hinge Cover to snap it to the Inner Bezel Door.

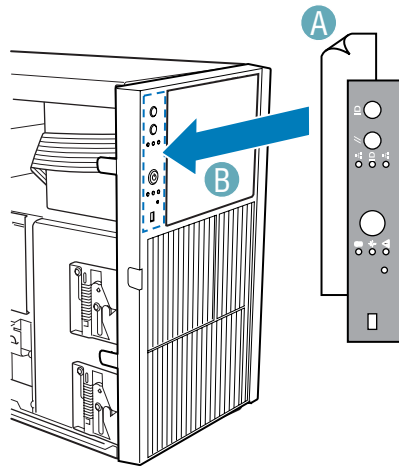


TP01134

Figure 18. Installing Hinge Cover

Affix LED and Button Label to Inner Bezel Door

1. Affix LED and Button Label to Inner Bezel Door. Remove adhesive strip from label (letter “A”) and then press label firmly against upper left-hand side of Inner Bezel Door (letter “B”).



TP01131

Figure 19. Affixing LED and Button Sticker to Inner Bezel Door

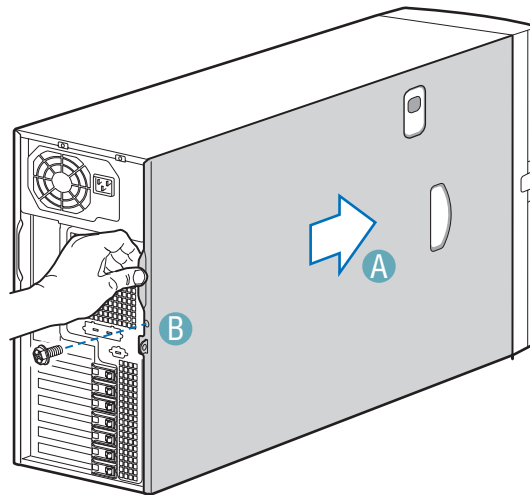
Replace Primary Access Cover

1. Slide Primary Access Cover on chassis.
2. Replace shipping screw (optional).



CAUTION

This chassis must be operated with the Primary Access Cover installed to ensure proper cooling.



TP01132

Figure 20. Replacing Primary Access Cover

Install Rack Mount Rail Kit

Refer to the manual that came with your Rack Mount Kit to complete installation of the rack mount rail assembly.