



# Monthly Specification Update

Intel® Server Board S5520UR

Intel® Server System SR1600UR

Intel® Server System SR1625UR

Intel® Server System SR2600UR

Intel® Server System SR2625UR

Intel® Server System SR2612UR

*Intel Order Number E69054-001*

**Dec 2011**

**Enterprise Platforms and Services Marketing**

---



## *Revision History*

Date	Modifications
April 2009	Initial release.
June 2009	Added Erratum 27. Updated Errata 10, 16, and 19.
July 2009	Added Erratum 28,29
Aug 2009	Added Erratum 30, 31
Sep 2009	Added Erratum 32, 33
Oct 2009	Added Erratum 34, 35
Nov 2009	No update
Dec 2009	Added Erratum 36
Jan 2010	No update
Feb 2010	Added Erratum 37
March 2010	No update
April 2010	No update
May 2010	No update
Jun 2010	Added Erratum 38
July 2010	No update
Aug 2010	No update
Sep 2010	No update
Oct 2010	Added Erratum 39
Nov 2010	No update
Dec 2010	Updated Erratum 34, Added Erratum 40 and 41
Jan 2011	Updated Erratum 39 and 41, Added Erratum 42
Feb 2011	No update
March 2011	Updated Erratum 42,Added Erratum 43
April 2011	Updated Erratum 34
May 2011	No update
Jun 2011	No update
July 2011	No update
Aug 2011	Added Erratum 44
Sep 2011	No update
Oct 2011	No update
Nov 2011	Added Erratum 45
Dec 2011	No update

## *Disclaimers*

The Intel Products Specified may contain design defects or errors known as errata that may cause the products to deviate from the published specifications. Current characterized errata are documented in this Specification Update.

Information in this document is provided in connection with Intel products. No license, express or implied, by estoppel or otherwise, to any intellectual property rights is granted by this document. Except as provided in Intel's Terms and Conditions of Sale for such products, Intel assumes no liability whatsoever, and Intel disclaims any express or implied warranty, relating to sale and/or use of Intel products including liability or warranties relating to fitness for a particular purpose, merchantability, or infringement of any patent, copyright or other intellectual property right. Intel products are not intended for use in medical, life saving, or life sustaining applications. Intel may make changes to specifications and product descriptions at any time, without notice.

Contact your local Intel sales office or your distributor to obtain the latest specifications and before placing your product order.

Intel, Itanium, Pentium, and Xeon are trademarks or registered trademarks of Intel Corporation.

\*Other brands and names may be claimed as the property of others.

Copyright © Intel Corporation 2011.

# Contents

**Preface** ..... 1

**Summary Tables of Changes**..... 2

**Errata**..... 4

1. System will hang while accessing RAID BIOS setup screen with RAID Midplane in hardware mode installed..... 4
2. Mixed PCI Express\* (PCIe\*) devices installed on the ASR26XXFHLPR riser full-height slots 1 and 2 may cause a system hang..... 4
3. Cannot boot to SATA CD-ROM device with SATA SW RAID enabled in conjunction with a 1064e backplane installed ..... 4
4. Changing console redirection settings in BIOS setup may result in loss of information in the Boot Manager page of BIOS setup ..... 5
5. BIOS recovery is not available using the on-board USB DVD/CD-ROM optical drive 5
6. System may hang during POST if console redirection is set to 9600 Baud ..... 6
7. POST messages do not correctly display when using console redirection or Serial Over LAN (SOL) ..... 6
8. False NMI being reported with certain versions of Linux operating system installations..... 6
9. Errors are reported during the installation of SuSE\* Linux Enterprise Server 10 EM64T 7
10. Hyper-Threading cannot be disabled in the BIOS setup ..... 7
11. A critical interrupt is logged in the System Event Log (SEL) when installing SuSE\* Linux Enterprise Server 10 32-bit ..... 7
12. Wake on LAN (WOL) does not work on 1 GB I/O modules ..... 8
13. The operating system may take more than four hours to install in SATA compatibility mode ..... 8
14. Serial Console mode may display extra text or intermingled text ..... 8
15. The PXE boot option is missing in the BIOS Setup ..... 9
16. Fans may boost temporarily when BMC is under load ..... 9
17. Extra events may be seen in the SEL during system reset ..... 10
18. BIOS setup may report an incorrect firmware version ..... 10
19. Hard drive status LED for blank drive slots may blink amber when system is in AHCI mode ..... 10
20. Yellow Bang may be seen in Microsoft Windows Server 2008\* Device manager when using ASR26XXFHLPR Riser ..... 11

21.	Firmware will detect a missing server board battery as present and good.....	11
22.	Server Board cannot detect a 10 Gb I/O Module or a Quad Data Rate InfiniBand* I/O Module without a PCI Riser installed .....	11
23.	Cannot update DVD Drive Firmware when Six DIMMs are installed .....	12
24.	Closed Loop Thermal Throttling (CLTT) is not automatically detected and set when using unbuffered memory (UDIMMs).....	12
25.	Failed power supply fans in Intel® Server System SR2600UR/SR2625UR may cause continuous reboots.....	12
26.	Intel® Deployment Assistant (IDA) cannot be used to perform unattended Microsoft Windows* OS installs.....	13
27.	Excessive Time to Enter or Exit EFI Shell When AHCI is Enabled in BIOS Revision R0037	13
28.	Fans may boost when Processor Therm Crtl % sensor is read repeatedly.....	13
29.	Serial Over LAN (SOL) Will not Automatically Enable Console Redirection When Console Redirection Is Disabled In BIOS Setup.....	14
30.	Boot Order May Change After Entering RAID Setup .....	14
31.	LCP may not able to display correct reading of some negative temperature values	14
32.	SR2612UR Hard Disk Status LED is illuminated always .....	15
33.	A "USB to IDE/SATA" device appears in BIOS and OS when a SATA optical drive is not installed in a SR1625UR, SR2600UR, or SR2625UR system. ....	15
34.	High CPU utilization may occur when installing or running Windows 2008 R2/ Windows 7 with default NIC driver.....	16
35.	Clearing BIOS CMOS in BIOS Revision R0042 May Return an Invalid Date.....	16
36.	SLES11 kernel may halt during installation with default BIOS setting.....	16
37.	Intel(R) Active System Console (IASC) 3.5.1 and 3.5.2 may fail to detect status of memory voltage sensors.....	17
38.	Inaccurate HSC FW revision displayed in BIOS Setup Page. ....	18
39.	Lower network performance may be observed when Hyper-V role is added in Windows Server 2008 R2 with more than 32G memory.....	19
40.	System with BIOS Revision R0054 may hang when Adaptec* 5405 or 5805 RAID card installed. ....	19
41.	System may go to EFI first instead of Hardware RAID configuration setup page..	19
42.	System will generate a beep sound of 1-5-4-2 warning when the setting for the Intel(R) VT-D or HT technology in BIOS is changed .....	20
43.	System will get blue screen on display during the installation of Windows 2008 R2 under UEFI mode. ....	20
44.	User will read wrong Processor frequency in BIOS R0058. ....	20

- 45. With 3TB or larger size hard disk drive installed, the reported storage capacity size in BIOS setup or onboard software RAID configuration utility is inconsistent with the actual value. 21

**Documentation Changes.....22**

- 1. Proper Heatsink Installation and Removal Instructions are missing from Service Guide 22





## Preface

---

This document communicates product Errata and Documentation Changes and Corrections for the following Intel Server Products:

- Intel® Server Board S5520UR
- Intel® Server System SR1600UR
- Intel® Server System SR1625UR
- Intel® Server System SR2600UR
- Intel® Server System SR2625UR

For specification updates concerning the Intel® Xeon® Processor 5500 Series processors, refer to the *Intel® Xeon® Processor 5500 Series Specification Update*. Items contained in the *Intel® Xeon® Processor 5500 Series Specification Update* that either do not apply to the Monthly Specification Update or have been worked around are noted in this document. Otherwise, it should be assumed that any processor errata for a given stepping are applicable to the Printed Board Assembly (PBA) revisions(s) associated with that stepping.

The following defines items communicated in this document.

**Specification Changes** are modifications to the current published specifications for a given product. These include typos, errors, or omissions. Specified changes will be incorporated in the next release of the document.

**Specification Clarifications** describe a supported feature or function in greater detail or further highlight their impact to a complex design requirement. These clarifications will be incorporated in the next release of the document.

**Errata** are design defects or deviations from current published specifications for a given product. Published errata may or may not be corrected.

- Hardware and software designed to be used with any given processor stepping must assume that all errata documented for that processor stepping are present on all devices.

## Summary Tables of Changes

---

The following tables provide an overview of known errata and known document changes that apply to the specified Intel Server Products. The tables use the following notations:

<b>Doc</b>	Intel intends to update the appropriate documentation in a future revision.
<b>Fix</b>	Intel intends to correct this erratum.
<b>Fixed</b>	This erratum has been corrected.
<b>NoFix</b>	There are no plans to correct this erratum.
<b>Shaded</b>	This item is new or has been modified from the previous specification update.

**Table 1. Errata Summary**

No.	Plans	Description of Errata
1	Fixed	System will hang while accessing RAID BIOS setup screen with RAID Midplane in hardware mode installed
2	Fix	Mixed PCI Express* (PCIe*) devices installed on the ASR26XXFHLPR riser full-height slots 1 and 2 may cause a system hang
3	Fixed	Cannot boot to SATA CD-ROM device with a SATA SW RAID enabled in conjunction with a 1064e backplane installed
4	Fixed	Changing console redirection setting in BIOS setup may result in loss of information in the Boot Manager page of BIOS setup
5	Fixed	BIOS recovery is not available using the on-board USB DVD/CD-ROM optical drive
6	Fixed	System may hang during POST if console redirection is set to 9600 baud
7	Fixed	POST messages do not correctly display when using console redirection over Serial Over LAN (SOL)
8	Fixed	False NMI being reported with certain versions of Linux operating system installations
9	Fix	Errors are reported during the installation of SuSE* Linux Enterprise Server 10 EM64T
10	Fixed	Hyper-Threading cannot be disabled in the BIOS setup
11	No Fix	A critical interrupt is logged in the System Event Log (SEL) when installing SuSE* Linux Enterprise Server 10 32-bit
12	No Fix	Wake on LAN (WOL) does not work on 1GB I/O Modules
13	Fixed	The operating system may take more than four hours to install in SATA compatibility mode
14	Fix	Serial Console mode may display extra text or intermingled text
15	Fix	The PXE boot option is missing in BIOS setup
16	Fixed	Fans may boost temporarily when the BMC is under load
17	Fix	Extra events may be seen in the SEL during system reset
18	Fixed	BIOS setup may report an incorrect firmware version
19	Fixed	Hard Drive status LED for blank drive slots may blink amber when system is in AHCI mode
20	Fixed	Yellow Bang may be seen in Microsoft Windows Server 2008* Device manager when using ASR26XXFHLPR riser
21	No Fix	Firmware will detect a missing server board battery as present and good

22	Fix	Server board cannot detect a 10Gb or QDR IB I/O Module without a PCI Riser installed
23	Fixed	Cannot Update DVD Drive Firmware when Six DIMMs are installed
24	Fix	Closed Loop Thermal Throttling (CLTT) is not automatically detected and set when using unbuffered memory (UDIMMs)
25	Fixed	Failed power supply fans in Intel® Server System SR2600UR/SR2625UR may cause continuous reboots
26	Fix	Intel® Deployment Assistant cannot be used to perform unattended Microsoft Windows* OS installs
27	Fix	Excessive Time to Enter or Exit EFI Shell When AHCI is Enabled in BIOS Revision R0037
28	Fixed	Fans may boost when Processor Therm Crtl % sensor is read repeatedly.
29	Fix	Serial Over LAN (SOL) Will not Automatically Enable Console Redirection When Console Redirection Is Disabled In BIOS Setup
30	No Fix	Boot Order May Change After Entering RAID Setup
31	Fix	LCP may not able to display correct reading of some negative temperature values
32	Fix	SR2612UR Hard Disk Status LED is illuminated always
33	Fix	A "USB to IDE/SATA" device appears in BIOS and OS when a SATA optical drive is not installed in a SR1625UR, SR2600UR, or SR2625UR system.
34	Fixed	High CPU utilization may occur when installing or running Windows 2008 R2 with default NIC driver
35	Fix	Clearing BIOS CMOS in BIOS Revision R0042 May Return an Invalid Date
36	No Fix	SLES11 kernel may halt during installation with default BIOS setting
37	Fixed	Intel(R) Active System Console (IASC) 3.5.1 and 3.5.2 may fail to detect status of memory voltage sensors
38	Fixed	Inaccurate HSC FW revision displayed in BIOS Setup Page
39	Fixed	Lower than expected network performance may be observed when Hyper-V role is added in Windows*2008 R2
40	Fix	System with BIOS Revision R0054 may hang when Adaptec* 5405 or 5805 RAID card installed.
41	No Fix	System may go to EFI first instead of Hardware RAID configuration setup page.
42	Fixed	System will generate a beep sound of 1-5-4-2 warning when the setting for the Intel(R) VT-D or HT technology in BIOS is changed
43	Fixed	System will get blue screen on display during the installation of Windows 2008 R2 under UEFI mode
44	Fixed	User will read wrong Processor frequency in BIOS R0058
45	Fixed	With 3TB or larger size hard disk drive installed, the reported storage capacity size in BIOS setup or onboard software RAID configuration utility is inconsistent with the actual value

**Table 2. Documentation Changes**

No.	Plans	Document Name	Description of Documentation Change
1			

The following sections provide in-depth descriptions of each erratum / documentation change indicated in the tables above. The errata and documentation change numbers referenced in the following sections correspond to the numbers in the tables above.

## Errata

---

### 1. System will hang while accessing RAID BIOS setup screen with RAID Midplane in hardware mode installed

Problem	On a system with the RAID midplane installed and with the I-button attached, the system will hang trying to enter the RAID BIOS menu (CTL+G).
Implication	A user will not be able to configure RAID settings for a hardware RAID configuration with the I-button installed on the RAID midplane.
Status	This issue was resolved in BIOS revision R0033.
Workaround	None
Tracker	189511

### 2. Mixed PCI Express\* (PCIe\*) devices installed on the ASR26XXFHLPR riser full-height slots 1 and 2 may cause a system hang

Problem	Adding mixed PCIe* devices (that is, NIC and RAID) in full-height slots 1 and 2 or the two low-profile slots of the ASR26XXFHLPR riser may result in a system hang while scanning for devices. This problem has only been seen with a few select pairings of cards.
Implication	Users may not be able to mix PCIe* devices in full-height slots 1 and 2 or the two low-profile slots of the ASR26XXFHLPR riser.
Status	This issue may be resolved in a future BIOS revision.
Workaround	Place similar cards in slots 1 and 2 of the riser.
Tracker	189508

### 3. Cannot boot to SATA CD-ROM device with SATA SW RAID enabled in conjunction with a 1064e backplane installed

Problem	If a 1064e midplane is installed in the system and SATA SW RAID is enabled in the BIOS setup, the system hangs when accessing a SATA CD-ROM device.
Implication	Enabling SATA SW RAID with a 1064e backplane installed is not a supported configuration and will result in a system hang if trying to boot from a SATA CD-ROM device.

Status	This issue was resolved in BIOS revision R0033.
Workaround	Disable SW RAID in the BIOS setup.
Tracker	189505

#### **4. Changing console redirection settings in BIOS setup may result in loss of information in the Boot Manager page of BIOS setup**

Problem	When the console redirection settings are changed and saved, a reboot into the BIOS setup may result in no information being displayed in the boot manager page when the Boot Manager page is accessed.
Implication	The user in this case will not have the option of booting to an alternate device from the Boot Manager page in the BIOS setup.
Status	This issue was resolved in BIOS revision R0033.
Workaround	None.
Tracker	189458

#### **5. BIOS recovery is not available using the on-board USB DVD/CD-ROM optical drive**

Problem	The system will hang when trying to recover the BIOS (using the BIOS recovery procedures outlined in the product <i>Technical Product Specification</i> ) using the on-board USB DVD/CD-ROM optical drive.
Implication	Users will not be able to utilize the BIOS recovery procedure via the on-board USB/CD-ROM drive.
Status	This issue was resolved in BIOS revision R0033 and later.
Workaround	Use an external DVD/CD-ROM optical drive or another USB removable device.
Tracker	189399

## 6. System may hang during POST if console redirection is set to 9600 Baud

Problem	With an LSI SAS1068E RAID card installed in the system and with quiet boot enabled in the BIOS setup, the system may hang during POST if the console redirection is set to 9600 Baud.
Implication	Users with the above configuration of their system may experience system hangs during POST.
Status	This issue was resolved in BIOS revision R0033 and BMC revision 34.
Workaround	Disable quiet boot mode in the BIOS setup.
Tracker	189352

## 7. POST messages do not correctly display when using console redirection or Serial Over LAN (SOL)

Problem	If using console redirection or SOL and observing the boot process, users may see missing lines or incomplete information during POST.
Implication	Users may not be able to fully identify messages being displayed during POST when utilizing SOL or console redirection.
Status	This issue was resolved in BIOS revision R0033 and BMC revision 34 and later.
Workaround	None.
Tracker	189253

## 8. False NMI being reported with certain versions of Linux operating system installations

Problem	<p>During installation of some Linux releases, Linux may report the following error:</p> <pre>Uhuh. NMI received for unknown reason 20. Dazed and confused, but trying to continue Do you have a strange power saving mode enabled? Uhuh. NMI received for unknown reason 30. Dazed and confused, but trying to continue Do you have a strange power saving mode enabled?</pre>
Implication	Users observing this error may not be able to successfully complete the operating system installation.

Status	This issue was resolved in BIOS revision R0033.
Workaround	None.
Tracker	189210

## 9. Errors are reported during the installation of SuSE\* Linux Enterprise Server 10 EM64T

Problem	When installing SuSE* Linux Enterprise Server 10 EM64T with Advanced Error Reporting (AER) capabilities enabled, an AER error is logged in the operating system event log.
Implication	AER uses an optional ACPI requirement, -OCS, that is not available in the S5500 BIOS revisions. There is no functional impact.
Status	This issue may be fixed in a future BIOS revision.
Workaround	None.
Tracker	35285

## 10. Hyper-Threading cannot be disabled in the BIOS setup

Problem	In the Advanced > Processor menu of the BIOS Setup, setting the Hyper-Threading option to disabled initially indicates that the option is disabled. However, when the user re-enters the BIOS Setup, this option will be enabled.
Implication	Users that desire to disable Hyper Threading will not be able to do so.
Status	This issue is Fixed in BIOS 36 and later.
Workaround	None.
Tracker	36104, 36129

## 11. A critical interrupt is logged in the System Event Log (SEL) when installing SuSE\* Linux Enterprise Server 10 32-bit

Problem	A critical interrupt, PCIe* Fat Sensor –[severity] event: Critical Interrupt, is logged during the installation of SuSE Linux Enterprise Server 10 32-bit.
Implication	The user will see a PCIe* critical event logged. There is no functional impact.
Status	No Fix.

Workaround Add "noisapnp" to the command-line option to prevent scanning of ISA plug and play devices.

Tracker 36051, 189688

## 12. Wake on LAN (WOL) does not work on 1 GB I/O modules

Problem When a 1 GB dual- or quad-port I/O module is installed, the system will not be able to wake up from the S1 sleep state using the Wake on LAN (WOL) feature.

Implication Users will not be able to utilize WOL with 1 GB dual- or quad-port I/O modules.

Status No Fix.

Workaround None.

Tracker 35890

## 13. The operating system may take more than four hours to install in SATA compatibility mode

Problem When the SATA Mode option in the Mass Storage Controller Configuration screen of the BIOS setup (accessed using Advanced > Mass Storage Controller Configuration) is set to Compatibility mode, Red Hat\* Enterprise Linux 5.x may take in excess of four hours to install.

Implication When the SATA Mode is configured as Compatibility mode, users may experience an extended installation time when installing Red Hat\* Enterprise Linux 5.x.

Status This issue was fixed in BIOS 33 and BMC 34.

Workaround None.

Tracker 198644

## 14. Serial Console mode may display extra text or intermingled text

Problem When operating in the serial console mode, the user may notice one of the following two conditions during POST:

- The user may see the numeral 10 displayed at the top right corner of the screen
- OR



- The RAID controller information may be intermingled with the platform information displayed by BIOS.

Implication	There is no functional impact associated with this erratum.
Status	This may be fixed in a future BIOS revision.
Workaround	None.
Tracker	189551

## 15. The PXE boot option is missing in the BIOS Setup

Problem	If a user disables the primary (onboard) video in the BIOS Setup, the PXE boot option will disappear from the BIOS Boot Manager.
Implication	Users that desire to utilize the PXE boot option must leave the primary (onboard) video enabled.
Status	This issue may be fixed in a future BIOS revision.
Workaround	None.
Tracker	35253

## 16. Fans may boost temporarily when BMC is under load

Problem	The system fans may boost when the BMC is operating under a heavy load. This can include large sequential BMC tasks such as viewing the system event log, configuring the BMC or resetting the system. The fans return to normal automatically after the BMC operations complete.
Implication	The systems fans will run at a higher state temporarily, thereby increasing acoustics.
Status	This issue is fixed in BMC 36 and later.
Workaround	None.
Tracker	189578, 189317

## 17. Extra events may be seen in the SEL during system reset

Problem	The BMC may log periodic, spurious SEL events during a system reset. These events may appear as fan errors or duplicate instances of normal events. The spurious fan readings will only happen during reset and are not an indication of an actual fan failure. Fan failure events that occur during a reboot should be ignored.
Implication	The SEL log may indicate fan errors or duplicate instances of normal events intermittently.
Status	This issue may be fixed in a future BMC release.
Workaround	None
Tracker	35068, 189715, 33970

## 18. BIOS setup may report an incorrect firmware version

Problem	The BIOS setup screens that display the SDR and ME firmware versions may report incorrect versions. The version displayed may be of the previously installed version.
Implication	After firmware update, the BIOS screens may not show the correct version until the system is AC cycled.
Status	This issue may be fixed in a future BMC release.
Workaround	None.
Tracker	189678, 189455

## 19. Hard drive status LED for blank drive slots may blink amber when system is in AHCI mode

Problem	The hard drive status LEDs for empty drive slots may blink amber when the system is operating in AHCI mode.
Implication	The hard drive status LED may indicate a false status for an unpopulated drive slot.
Status	This issue is fixed in BIOS37 and BMC 38 and later.
Workaround	None.
Tracker	189569

## 20. Yellow Bang may be seen in Microsoft Windows Server 2008\* Device manager when using ASR26XXFHLPR Riser

Problem	A yellow bang may be seen in the device manager when using the 5-slot PCI Express* riser.
Implication	There is no functional impact. Windows will report that a driver is missing.
Status	This issue is fixed in BIOS 34 and later.
Workaround	None.
Tracker	189782

## 21. Firmware will detect a missing server board battery as present and good

Problem	The firmware will detect a server board battery as present and good even when it is missing.
Implication	A missing battery will not be reported. If a battery is present, it will still accurately report the health of the battery. Problem is only seen when the battery is missing.
Status	This issue will not be fixed.
Workaround	None.
Tracker	None.

## 22. Server Board cannot detect a 10 Gb I/O Module or a Quad Data Rate InfiniBand\* I/O Module without a PCI Riser installed

Problem	When the riser is removed from the server board, the PCI Express* lane settings prevent a x8 PCI Express* I/O Module (10 GbE or QDR IB) from being detected.
Implication	Problem is only seen with the x8 PCI Express* I/O Modules and only when a riser is removed. This problem does not affect the other I/O Modules.
Status	This issue may be fixed in a future revision of the server board
Workaround	Make sure that a riser is installed when using the 10 GbE or Quad Data Rate InfiniBand* I/O Modules.
Tracker	189546

## 23. Cannot update DVD Drive Firmware when Six DIMMs are installed

Problem	When all memory channels are populated and active, the Firmware update for the SATA DVD drive fails.
Implication	System must not have six or more DIMMs installed if updating the DVD Drive firmware.
Status	This issue may be fixed in a future BIOS revision.
Workaround	None.
Tracker	189662

## 24. Closed Loop Thermal Throttling (CLTT) is not automatically detected and set when using unbuffered memory (UDIMMs)

Problem	<p>When using UDIMMs, CLTT will not automatically be selected if using the “Auto” feature on the System Acoustics and Performance page of the BIOS setup</p> <p>Users must ensure that the Serial Presence Detect (SPD) on <i>ALL</i> installed DIMMs supports CLTT. If the user is unsure if <i>ALL</i> installed DIMMs support CLTT, then the user should maintain the system in Open Loop Thermal Throttling (OLTT).</p>
Implication	If users elect to utilize UDIMMs in their system, they must manually enable CLTT in the BIOS setup. If the setting is left on “Auto” with UDIMMs installed, the setting will revert to OLTT.
Status	This issue may be fixed in a future BIOS revision.
Workaround	None.
Tracker	None

## 25. Failed power supply fans in Intel® Server System SR2600UR/SR2625UR may cause continuous reboots

Problem	If a power supply fan fails in Intel® Server System SR2600UR and Intel® Server System SR2625UR, the system may enter a continuous reboot cycle. If redundant supplies are populated, the system will only reboot if fans in both power supplies fail simultaneously.
---------	--

Implication	If a power supply fan fails, the system may enter a reboot cycle. This problem will only occur in instances where a shutdown is expected. The system will reboot rather than shutting down.
Status	This issue may be fixed in a future version of the power supply.
Workaround	None
Tracker	189641

## 26. Intel® Deployment Assistant (IDA) cannot be used to perform unattended Microsoft Windows\* OS installs

Problem	The OCD.XML file included on the Resource CD is incorrect and prevents IDA from properly installing RAID drivers when preparing for an unattended installation.
Implication	IDA cannot be used to prepare unattended installations of Microsoft Windows* Operating Systems.
Status	This issue may be fixed in a future revision of the Resource CD.
Workaround	None
Tracker	189580

## 27. Excessive Time to Enter or Exit EFI Shell When AHCI is Enabled in BIOS Revision R0037

Problem	If AHCI is enabled in BIOS setup, it will take the user approximately 3 or more minutes to enter the EFI shell from BIOS Setup and approximately 3 or more minutes to exit the EFI shell.
Implication	Users should expect long delays when entering the EFI shell from BIOS setup if AHCI is also enabled.
Status	This issue may be fixed in a future BIOS revision.
Workaround	None.
Tracker	189857

## 28. Fans may boost when Processor Therm Crtl % sensor is read repeatedly.

Problem	The system fans may boost when the processor Therm Ctrl % sensor (Sensor #64 & #65) is read at a high frequency, such as several times a second. The Therm Ctrl % sensors will read as unavailable for subsequent sensor readings until a system reset is performed.
Implication	The systems fans will run at a higher state temporarily, increasing acoustics, and processor temperature readings will be unavailable.
Status	This issue is fixed in BMC 42.
Workaround	None

## 29. Serial Over LAN (SOL) Will not Automatically Enable Console Redirection When Console Redirection Is Disabled In BIOS Setup

Problem	If console redirection is disabled in BIOS setup SOL will no longer automatically detect this condition and then enable console redirection.
Implication	Console redirection must be enabled in BIOS setup prior to utilizing SOL. Furthermore, the IPMI command <i>SetSystemBootOption</i> to enable console redirection is not supported.
Status	This issue may be fixed in a future BIOS revision or with the optional IPMI command support.
Workaround	None.

## 30. Boot Order May Change After Entering RAID Setup

Problem:	Boot Order May Change After Entering RAID Setup
Implication:	The boot order may be changed after entering RAID configuration ROM (Ctrl+G). The boot order will not be affected if the RAID configuration ROM (Ctrl+G) is not entered.
Status:	This issue will not be fixed.
Workaround:	None. Users must enter BIOS setup and set/confirm the required boot order after entering the RAID configuration."

## 31. LCP may not able to display correct reading of some negative temperature values

**Problem:** LCP may display wrong reading of some negative temperature values

**Implication:** LCP reading is not consistency with Intel® RMM3 and Intel® management software.

**Status:** Intel will fix this issue in a future LCP FW release

**Workaround:** None.

**Tracker:** 189969

### **32. SR2612UR Hard Disk Status LED is illuminated always**

**Problem:** After system boot up, the Disk Status LEDs of all empty slots are illuminated, same as the slots with drive installed.

**Implication:** The issue is only applying to SR2612UR system and exist whatever RAID technology is used. In this case, the user will not be able to identify the empty disk slots when system is running.

**Status:** This issue is root caused to current SAS Midplane behavior, and Intel will fix this issue in a future firmware release of SAS Midplane.

**Workaround:** None.

### **33. A "USB to IDE/SATA" device appears in BIOS and OS when a SATA optical drive is not installed in a SR1625UR, SR2600UR, or SR2625UR system.**

**Problem:** When there is no Slimline Optical Drive installed in the system, a "USB to IDE/SATA" device appears in the BIOS boot order as a USB device. This device also appears in the OS (ex. Windows Device Manager). This device is used by the system to connect a SATA drive to a USB port on the baseboard.

**Implication:** This device will show up in the BIOS boot order, but not booted to. It can be moved to the bottom of the order to prevent the system from attempting to boot from it. The device is also reported to the OS. It will show up in Windows Device Manager and Windows Disk Management but no actions can be performed. This issue is only apparent in systems operated without an Optical Drive installed.

**Status:** Intel may fix this issue in a future BIOS release

**Workaround:** This device can be moved to the bottom of the boot order so that it doesn't impede the expected boot process. There is no workaround to prevent the device from being reported to the OS.

Tracker: 189789

### 34. High CPU utilization may occur when installing or running Windows 2008 R2/ Windows 7 with default NIC driver

- Problem:** There has been high CPU load observed when installing or running Windows2008 R2/Windows 7 with default NIC (Network Interface Card) driver.
- Implication:** When the ports are not electrically "linked" and the embedded driver is loaded the DPC (Deferred Procedure Calls) rate steadily increases until the system slows to the point where it is essentially unusable.
- Status:** This issue was fixed in BIOS R0054. Before Operation System installation, Change the BIOS setting Pcie AER support under Advanced -> PCI configuration from "Enable" to "Disable".
- Workaround:** Make sure the ports are connected to a network, switch or simply back-to-back. This need to be done at least prior to the driver loading because once the port is malfunctioning it cannot be recovered by connecting the ports. Updating to the latest posted driver resolves the problem. The latest NIC driver 16.0 can be obtained at below webpage.

[http://downloadcenter.intel.com/Detail\\_Desc.aspx?agr=Y&DwnldID=18388](http://downloadcenter.intel.com/Detail_Desc.aspx?agr=Y&DwnldID=18388)

### 35. Clearing BIOS CMOS in BIOS Revision R0042 May Return an Invalid Date

- Problem:** If the user clears the BIOS CMOS settings via jumper or using the Sysconfig /bldfs switch, the date in BIOS setup may be corrupted and read 09XX.
- Implication:** An invalid date stamp, 09XX, may be displayed in BIOS setup after clearing BIOS CMOS settings using the jumper or the Syscfg utility resulting in the user having to perform an extra reboot of the system to recover the date in the proper format.
- Status:** This issue may be fixed in a future BIOS revision.
- Workaround:** An additional reboot will reset the date format in BIOS setup. However, the user will have to set the date and time to the current local settings.

### 36. SLES11 kernel may halt during installation with default BIOS setting

- Problem** Customer may find SLES11 kernel halts during installation with default BIOS setting.



Implication	When boots to SLES installation media, after clicking "installation" at the prompt, screen will go black and freeze until USB keyboard "enter" key is pressed.
Status	This issue is caused by a kernel bug.
Workaround	Customer can press "enter" key after screen freezes to continue with the installation.

### 37. Intel(R) Active System Console (IASC) 3.5.1 and 3.5.2 may fail to detect status of memory voltage sensors

Problem	<p>Intel® Active System Console (IASC) v3.5.1 and v3.5.2 is used to monitor hardware status on Intel server system.</p> <p>Intel® Server Board S5520UR start to support low voltage memory DIMM, so current FRUSDR has contained four memory voltage sensors "BB+1.5v P1DDR3", "BB+1.5v P2DDR3", "BB+1.35v P1DDR3" and "BB+1.35v P2DDR3", When system has 1.5v memory or 1.35v memory, only corresponding memory voltage sensors will be enabled, the other type memory voltage sensors will be disabled.</p> <p>IASC cannot judge the status of memory voltage sensors which have been disabled, and still try to detect those sensors reading. Because sensor reading is "0", lower than its threshold, so IASC shows those sensors status as critical warning.</p> <p>Below is screen shoot of this failure</p>
---------	--

Sensor Name	Current Value	Historical Value 1	Historical Value 2	Historical Value 3	Historical Value 4	Historical Value 5
BB +1.5V P2 DDR3	1.51	1.36	1.40	1.58	1.63	
BB +1.8V AUX	1.78	1.67	1.71	1.87	1.92	
BB +3.3V	3.31	2.98	3.06	3.52	3.62	
BB +3.3V STBY	3.32	2.98	3.06	3.52	3.62	
BB +3.3V Vbat	2.99	2.17	2.50	3.19	3.28	
BB +5.0V	5.06	4.47	4.63	5.37	5.53	
BB +5.0V STBY	5.12	4.47	4.63	5.37	5.53	
BB +12.0V	12.09	10.73	11.10	12.92	13.28	
BB -12.0V	-11.57	-	-13.24	-10.63	-	10.51
BB +1.35V P1DDR3	0.00	1.23	1.27	1.44	1.48	
BB +1.35V P2DDR3	0.00	1.23	1.27	1.44	1.48	

**Implication** IASC fails to judge the status of disabled sensors and still considers those sensors to server health algorithm.

**Status** This issue will be fixed on next IASC release.

**Workaround** None.

### 38. Inaccurate HSC FW revision displayed in BIOS Setup Page.

**Problem** With baseboard BIOS version R0050 and BMC version 53, the HSC FW revision may be inaccurately shown as 123.415 instead of 0.00 if there is no backplane connected to the board or system. HSC FW revision is located at the BIOS setup Server Information page (Server Management – Server Information – HSC Firmware Revision).

**Implication** There is no functional impact associated with this erratum.

**Status** This erratum will be fixed in a future BIOS release.

**Workaround** None.

### 39. Lower network performance may be observed when Hyper-V role is added in Windows Server 2008 R2 with more than 32G memory.

Problem	On a dual Intel® Xeon® 5600 series processor configuration with more than 32GB memory installed, user may notice network performance drop in Windows Server 2008 R2 when Hyper-V role is added.
Implication	User may see lower than expected network performance under windows Server 2008 R2.
Status	This issue was fixed on BIOS 55. Change the setting in BIOS setup Advanced -> PCI -> Maximize/minimum Memory below 4G to Min.
Workaround	None

### 40. System with BIOS Revision R0054 may hang when Adaptec\* 5405 or 5805 RAID card installed.

Problem	On a system with the Adaptec* 5405 or 5805 RAID card installed, the system may hang during POST.
Implication	User may experience system hangs during POST with above system configuration.
Status	This issue may be fixed in a future BIOS revision.
Workaround	Use BIOS revision R0050.

### 41. System may go to EFI first instead of Hardware RAID configuration setup page.

Problem	System may go to EFI first instead of Hardware RAID configuration setup page when using Hardware Raid and setting EFI as the first boot device
Implication	There is no functional impact associated with this erratum.
Status	Will not Fix.
Workaround	1, Change EFI booting order instead of first boot device. 2, Type "EXIT" in Internal EFI shell, then users can enter Raid configuration setup page.

**42. System will generate a beep sound of 1-5-4-2 warning when the setting for the Intel(R) VT-D or HT technology in BIOS is changed**

Problem	System generates a beep sound of 1-5-4-2 warning when the setting of Intel(R) VT-D or HT technology in BIOS is changed
Implication	There is no functional impact associated with this erratum.
Status	This issue is fixed in BIOS 57.
Workaround	None.

**43. System will get blue screen on display during the installation of Windows 2008 R2 under UEFI mode.**

Problem	When installing Windows 2008 R2 under UEFI mode, system will fail with BSOD (blue screen on display).
Implication	User will not be able to install windows 2008 R2 under UEFI mode. The BSOD happens at the page "Installing Windows".
Status	This issue is fixed in BIOS 57.
Workaround	None.

**44. User will read wrong Processor frequency in BIOS R0058.**

Problem	When using BIOS R0058, user will read wrong Processor frequency in BIOS and OS on any of the Intel(R) Xeon(R) Processor 5500/5600 series.
Implication	User might find incorrect Processor frequency in BIOS setup -> Advanced -> Processor configuration -> Processor Frequency, the Processor frequency might be displayed as 1.60GHz in BIOS R0058.
Status	This issue is fixed in BIOS R0059.
Workaround	Use BIOS R0057 or previous revision. The correct Processor frequency will be displayed after the system is AC cycled.

**45. With 3TB or larger size hard disk drive installed, the reported storage capacity size in BIOS setup or onboard software RAID configuration utility is inconsistent with the actual value.**

Problem	The 3TB HDD capacity size is shown as 801.6GB in BIOS setup and 746.5GB in onboard software RAID utility.
Implication	With 3TB or larger size hard disk drive installed, the reported storage capacity size in BIOS setup or onboard software RAID configuration utility is inconsistent with the actual value.
Status	This issue was fixed in BIOS R0060.
Workaround	Upgrade system BIOS to R0060 or later version.

## Documentation Changes

---

### 1. Proper Heatsink Installation and Removal Instructions are missing from Service Guide

- Problem:** The current documentation does not properly describe the installation and removal of the heatsink. Careful insertion and removal of the heatsink is required to prevent damage to the heatsink screws or backplate.
- Implication:** There is a possibility of damage to the heatsink if proper steps are not followed.
- Status:** Corrections incorporated into the latest version of the following Service Guides:
- Intel® Server System SR1600 Service Guide (Intel Order Number: E52880-003)
  - Intel® Server System SR1625 Service Guide (Intel Order Number: E52881-003)
  - Intel® Server System SR2600/SR2625 Service Guide (Intel Order Number: E51243-003)
- Workaround:** Perform the steps outlined below for installation and removal of the heatsink to avoid damage.

### Removing the Heatsink

To remove the heatsink, follow these steps:

1. Loosen the four captive screws on the heatsink corners in a diagonal manner according to the numbers shown in figure 1 as follows:
  - Starting with the screw at location 1, loosen it by giving it **two rotations** in the anticlockwise direction and stop. (**IMPORTANT:** Do not fully loosen.)
  - Proceed to the screw at location 2 and loosen it by giving it two rotations and stop.
  - Loosen screws at locations 3 and 4 by giving each screw two rotations and then stop.
  - Repeat steps 1a through 1c by giving each screw two rotations each time until all screws are loosened.
2. Do one of the following:
  - If removing the heatsink for the first time, do the following:
    - i. Lift the heatsink from the board.
    - ii. Remove and discard the spacer (see letter "C" in figure 1).

**Note:** The system is shipped with a spacer installed between the heatsink and the processor socket to protect the socket protective cover. This spacer will need to be removed and discarded before installing the processor.

- If a processor is already installed, do the following:
  - i. Twist the heatsink slightly to break the seal between the heatsink and the processor.
  - ii. Lift the heatsink from the processor. If it does not pull up easily, twist the heatsink again. Do not force the heatsink from the processor. Doing so could damage the processor.

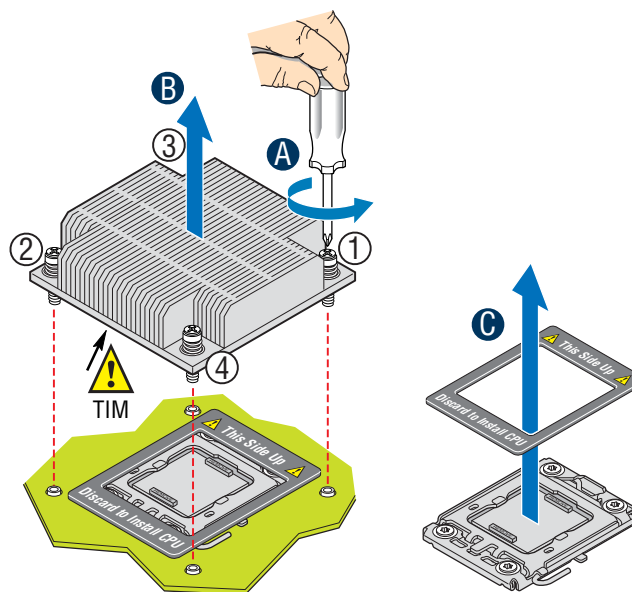


Figure 1. Removing the Heatsink

## Installing the Heatsink

You must install the processor before installing the heatsink. For instructions, see the Service Guide.

---

**CAUTION:** The heatsink has Thermal Interface Material (TIM) located on the bottom of it. Use caution when you unpack the heatsink so you do not damage the TIM.

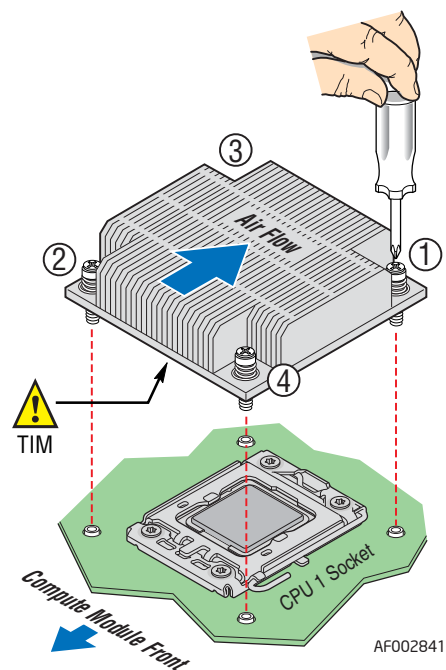
---

**Note:** New unused heatsinks have adequate TIM on the bottom. If you are reusing a heatsink from replacing a processor, make sure there is adequate TIM present on the heatsink to support processor cooling.

To install the heatsink, follow these steps:

1. Remove the protective film on the TIM if present.

2. Orient the heatsink over the processor as shown in Figure 2. The heatsink fins must be positioned as shown to provide correct airflow through the system.
3. Set the heatsink over the processor, lining up the four captive screws with the four posts surrounding the processor.
4. Loosely screw in the captive screws on the heatsink corners in a diagonal manner according to the numbers shown in Figure 2 as follows:
  - a. Starting with the screw at location 1, engage the screw threads by giving it **two rotations** in the clockwise direction and stop. (**IMPORTANT:** Do not fully tighten.)
  - b. Proceed to the screw at location 2 and engage the screw threads by giving it two rotations and stop.
  - c. Engage screws at locations 3 and 4 by giving each screw two rotations and then stop.
  - d. Repeat steps 4a through 4c by giving each screw two rotations each time until all screws are lightly tightened upto a maximum of 8 inch-lbs torque.



**Figure 2: Installing the Heatsink**