

L-Bracket Mount Kit Installation Instructions

For 19" 2-Post Racks

These Instructions Support the Following Rack Type:

- 19" 2-Post racks (use rack mount kit: TMLCMOUNT21)

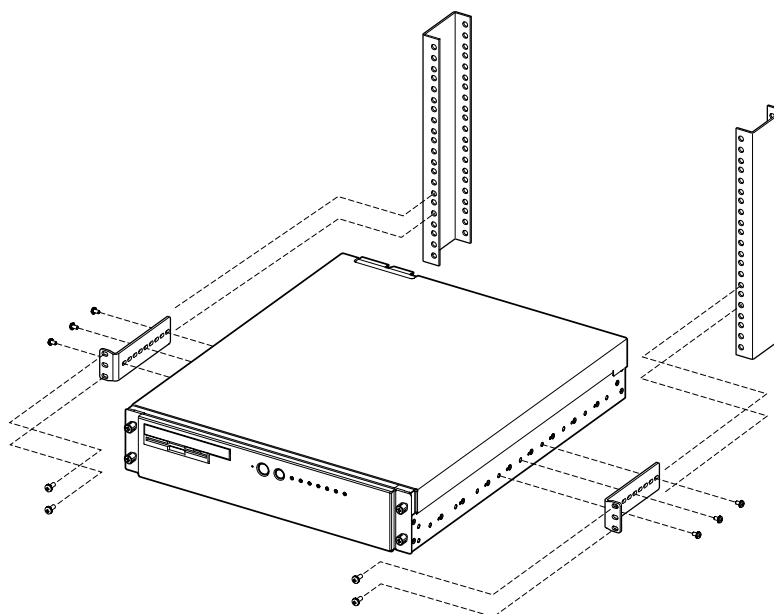
Platforms Supported

- 2U (e.g., TSRLT2, TIGPR2U)
- 1U (e.g., TSRMT2)

NOTE

Although the 2U (e.g., TSRLT2, TIGPR2U) chassis is shown in the illustrations below, these instructions also apply to the 1U (e.g., TSRMT2) chassis.

Verify the contents of the rack mount kit and layout the parts as shown below.



Multiple holes in the mounting bracket combined with multiple threaded holes in the chassis allow adjustment of the bracket on approximately ½-inch centers up to the practical limits of weight distribution. It is recommended however, to attach the mounting brackets to the center three mounting holes (counting from the front or back, holes 4, 5, and 6) in the chassis using at least four of the six screws provided in the kit. Install the chassis in the rack using four rack screws (not provided in the rack mount kit).



⇒ **NOTE**

You must provide the four screws that attach the server to the rack since the requirements for these screws will vary depending on the specification of the rack manufacture.

