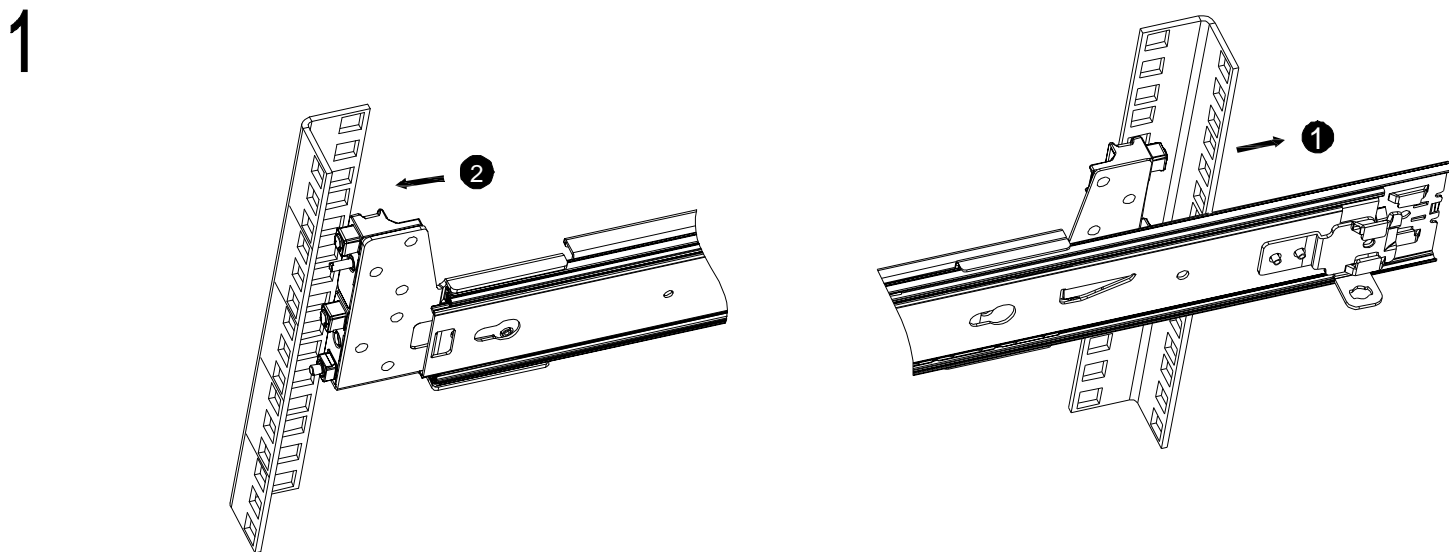
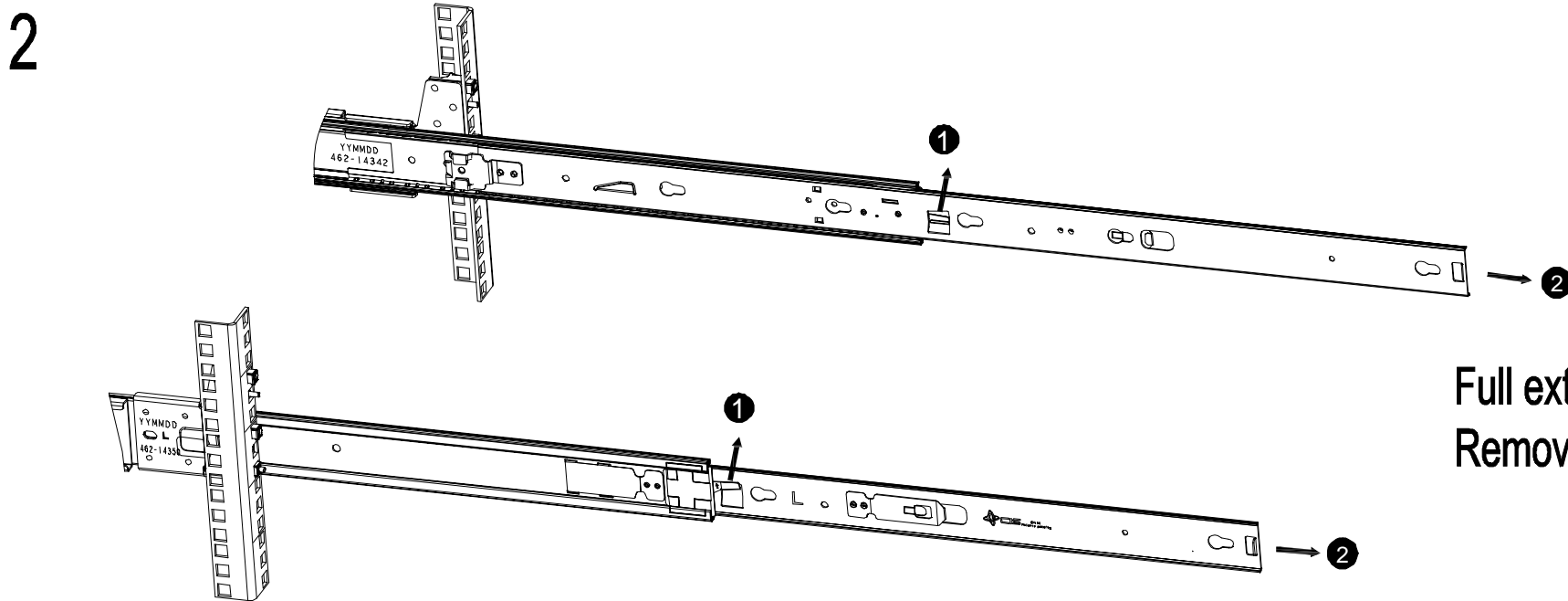


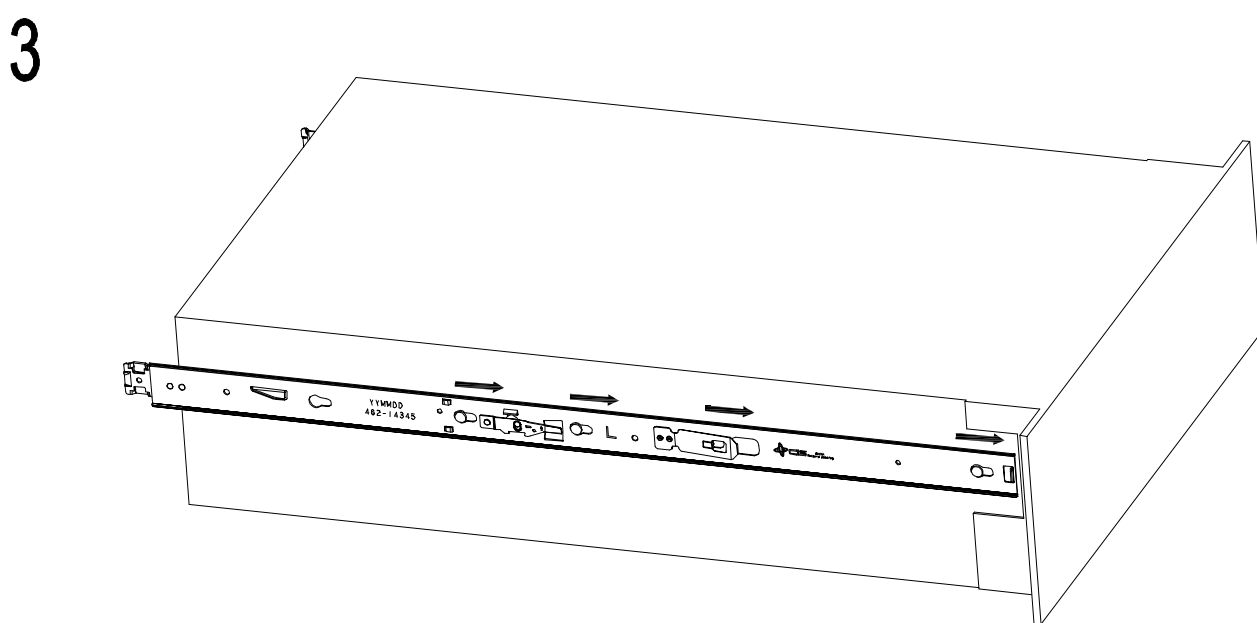
# Rail Kit Installation



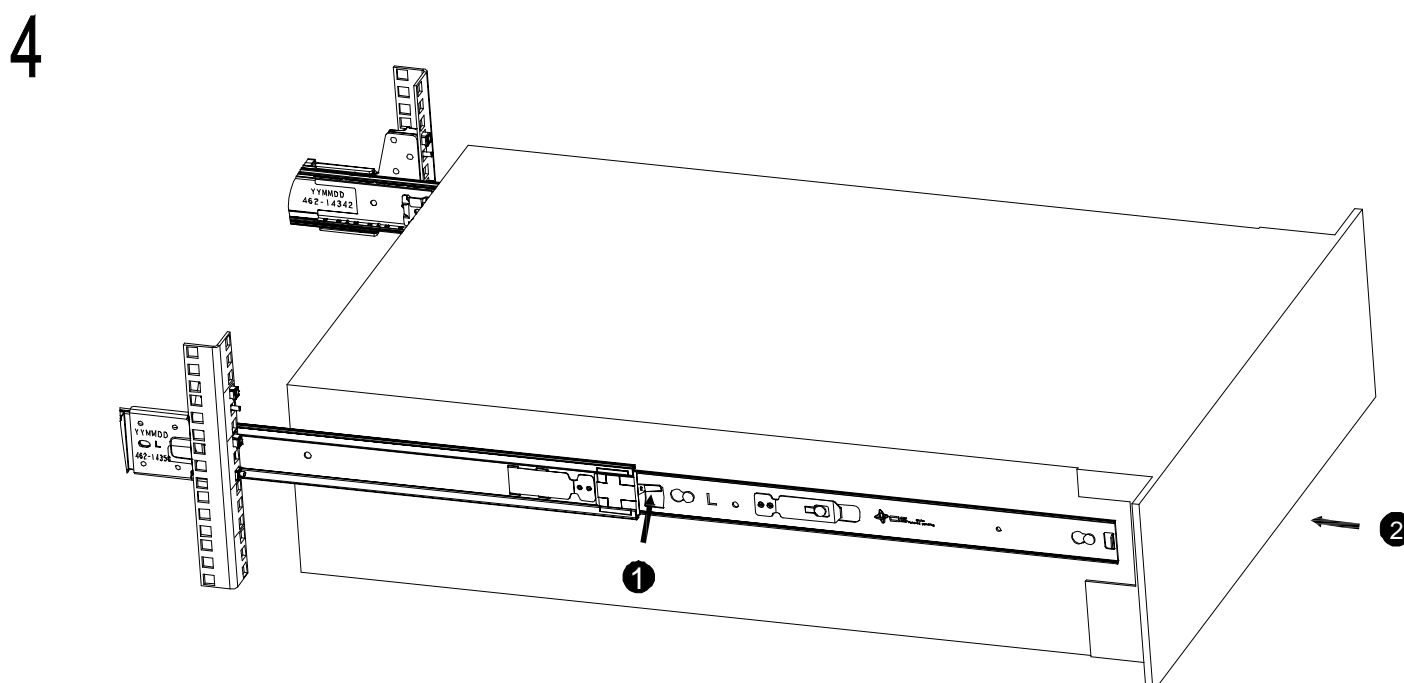
Install rail to rack



Full extend slide &  
Remove chassis member



Install Chassis Server to  
chassis member



Insert Chassis Server  
Lift front lock and push system  
into rack