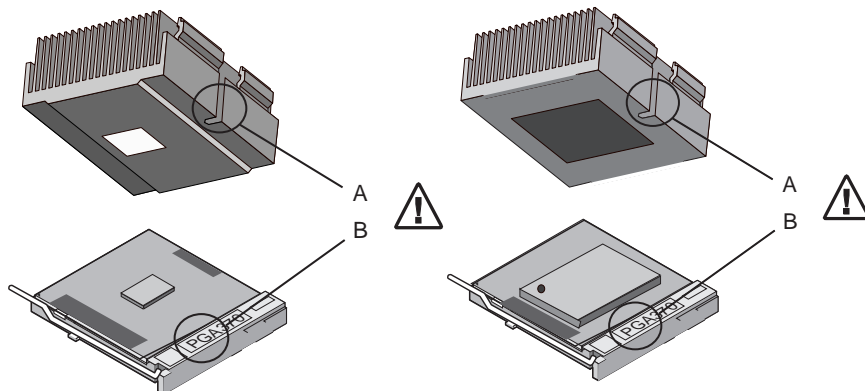




Attention!



Processor and Motherboard Compatibility Warning: This Intel® Pentium® III processor has specific electrical requirements that must be supported by your motherboard. Consult your motherboard manufacturer for compatibility with this processor before installation. FAILURE TO USE AN APPROPRIATE MOTHERBOARD MAY RESULT IN DAMAGE TO THE PROCESSOR OR MOTHERBOARD AND WILL VOID YOUR PROCESSOR WARRANTY. If you have further questions on compatibility of this processor with your motherboard see <http://developer.intel.com/design/pentiumiii> or consult your motherboard manufacturer.



Fan Heatsink to Socket Alignment Warning: It is important that the Intel® Pentium® III processor fan heatsink aligns properly with the 370-pin socket. Make sure to align the pin hole(A) with the PGA-370 mark(B) on the socket. Proper alignment will ensure correct processor operation.

Copyright © Intel Corporation 2001.

*Third-party brands and names are the property of their respective owners.

Part Number A52385-001

First Edition March 2001