

Intel® PRO/Wireless 2011B LAN PCI Adapter

Quick Installation Guide

Copyright © 2001, Intel Corporation. All rights reserved.

Intel Corporation assumes no responsibility for errors or omissions in this document. Nor does Intel make any commitment to update the information contained herein.

Intel is a registered trademark of Intel Corporation. Other product and corporate names may be trademarks of other companies and are used only for explanation and to the owners' benefit, without intent to infringe.

801-0346-001A - December 2001

Table of Contents

Installing the PCI Adapter4

Intel® PRO/Wireless 2011B LAN PCI Adapter

User Documentation

In addition to this Quick Installation Guide, Intel provides online documentation for the PRO/Wireless 2011B LAN product line on the Intel CD-ROM in HTML format.

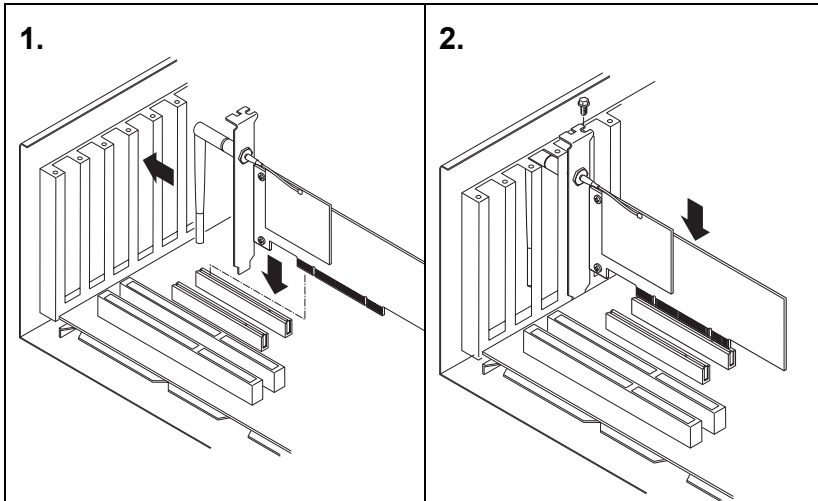
Note: The Intel CD-ROM may contain documentation for other Intel products in addition to the PRO/Wireless 2011B LAN PCI Adapter. Please disregard the documentation for other products.

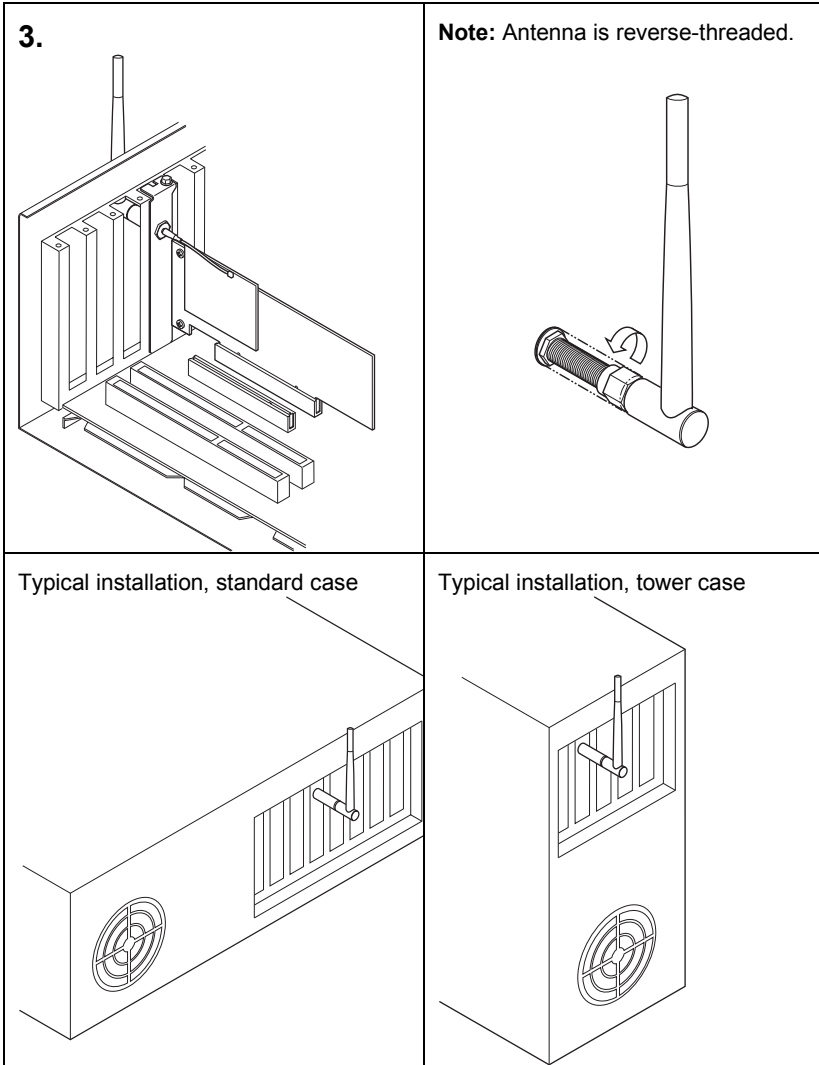
Installing the PCI Adapter

Package Contents

- Intel® PRO/Wireless 2011B LAN PCI Adapter (model WPCI2011B); contains one PCI carrier (model PCI CAD) and one MiniPCI Wireless Ethernet card (model M3AWEB)
- CD-ROM containing software and user documentation
- Quick Installation Guide (this manual)

Hardware Installation





Windows® Installation (98SE, Me, 2000, XP)

Note: For Windows NT installation instructions, see the online user's guide.

1. Install the PCI Adapter hardware according to the illustrations shown, then close and secure the computer case.
2. Turn on power to the computer and wait for Windows to load. (Windows 98SE, Me, 2000, or XP is required.)
3. Find your version of Windows below and complete the bulleted steps:

Windows 98SE

- Windows will detect the PCI adapter and the Add New Hardware Wizard dialog appears. Click **Next**.
- Insert the Intel CD-ROM into your CD-ROM drive.
- Select Search for the best driver for you device (Recommended) and click **Next**, then select CD-ROM drive and click **Next**.
- The Windows drivers are now ready to be copied to your PC. Click **Next**.
- From the next dialog, set up a profile using configuration information obtained from your network administrator. Type a configuration name and the SSID for your wireless network. Click **Next** to set up security and other parameters if required (consult your network administrator).
- Click **OK** to finish setting up the profile.
- On the Add New Hardware Wizard screen, click **Finish**.
- Run **setup.exe** from the Intel CD-ROM to install the Configuration Utility. To change the PCI adapter properties after running setup.exe, select **Start > Programs > Intel Wireless LAN > Configuration Utility**. For additional information, see the online user's guide.
- If prompted, insert your Windows CD-ROM into the CD-ROM drive, and click **OK**.
- When prompted, remove the Windows CD-ROM, and click **Yes** to restart the computer.

Windows Me (Millennium Edition)

- Windows will detect the PCI adapter and the Add New Hardware Wizard dialog will appear. DO NOT click Next yet. Verify that Automatic search for the better driver (recommended) is checked.
- Insert the Intel CD-ROM into your CD-ROM drive.
- If the Digital Signature dialog appears, click **Continue** to proceed with the installation.
- From the next dialog, set up a profile using configuration information obtained from your network administrator. Type a configuration name and the SSID for your wireless network. Click **Next** to set up security and other parameters if required (consult your network administrator).
- Click **OK** to finish setting up the profile.
- On the Add New Hardware Wizard screen, click **Finish**.
- Run **setup.exe** from the Intel CD-ROM to install the Configuration Utility. To change the PCI adapter properties after running setup.exe, select **Start > Programs > Intel Wireless LAN > Configuration Utility**. For additional information, see the online user's guide.
- Remove the Intel CD-ROM. When prompted, click **Yes** to restart the computer.

Windows 2000

- Log in to Windows 2000 with administrator rights.
- Insert the Intel CD-ROM into your CD-ROM drive.
- The Add New Hardware Wizard dialog appears. Click **Next**.

- The Install Hardware Device Drivers dialog appears. Select Search for a suitable driver for my device (recommended) and click **Next**.
- The Locate Driver Files dialog appears. Select CD-ROM drive and click **Next**.
- The Driver File Search Results dialog appears. Click **Next**.
- From the next dialog, set up a profile using configuration information obtained from your network administrator. Type a configuration name and the SSID for your wireless network. Click **Next** to set up security and other parameters if required (consult your network administrator).
- Click **OK** to finish setting up the profile.
- On the Add New Hardware Wizard screen, click **Finish**.
- Run **setup.exe** from the Intel CD-ROM to install the Configuration Utility. To change the PCI adapter properties, select **Start > Programs > Intel Wireless LAN > Configuration Utility**. For additional information, see the online user's guide.

Windows XP

- Log in to Windows XP with administrator rights.
- Insert the Intel CD-ROM into your CD-ROM drive.
- The Found New Hardware Wizard dialog appears. Click **Next**.
- The Install Hardware Device Drivers dialog appears. Select Automatic search for a better driver (Recommended) and click **Next**.
- From the next dialog, set up a profile using configuration information obtained from your network administrator. Type a configuration name and the SSID for your wireless network. Click **Next** to set up security and other parameters if required (consult your network administrator).
- Click **OK** to finish setting up the profile.
- On the Found New Hardware Wizard screen, click **Finish**.
- Run **setup.exe** from the Intel CD-ROM to install the Configuration Utility. To change the PCI adapter properties, select **Start > Programs > Intel Wireless LAN > Configuration Utility**. For additional information, see the online user's guide.

Customer Support

Web and Internet Sites

- Support: <http://support.intel.com>
- Network Products: <http://www.intel.com/network>
- Corporate: <http://www.intel.com>

Customer Support Technicians

For the U.S. and Canada

If you are using this product in conjunction with Intel® PRO/Wireless 2011B LAN hardware in a business or office environment and want customer support, please call +1 916-377-7000 (7:00 – 17:00 M–F Pacific Time). You can also visit the Intel customer support web site (<http://support.intel.com>).

For Worldwide Access

Intel has technical support centers worldwide. Many of the centers are staffed by technicians who speak the local languages. For a list of all Intel support centers, the telephone numbers, and the times they are open, refer to the Customer Support Phone Numbers web site at

<http://www.intel.com/support/9089.htm>

Product Warranties

For details of product warranties, see the online manuals.

Regulatory and Safety Notices

All regulatory and safety notices are provided in the online manuals and on the web at <http://www.intel.com/support>.

Software License Agreement

Software included with this product is protected by a specific Software License Agreement, provided in the online manuals. By using this software you agree to the provisions in the Software License Agreement.

Register Online

Register online to receive technical support, product upgrade notices, information updates, and special offers. To register online, access the Intel registration website at

<http://www.intel.com/product/register/index.htm>