

Quick Start User Guide

Intel® Server
Chassis SC5200
Base

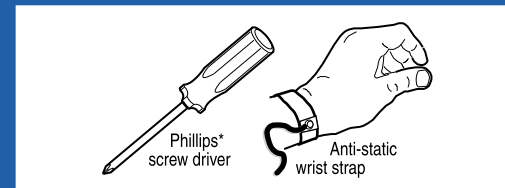
Start Here

Thank you for buying an Intel® Server Chassis. The following information will help you prepare your server chassis for integration with your selected server board.

This Guide is for technically qualified persons. Expanded installation instructions and complete product information are available in the *Product Guide* on the Chassis Resource CD. Spanish and Simplified Chinese translations of the *Product Guide* are also available on the Resource CD.

Before you begin

You will need the following tools and equipment:



See your *Product Guide* for product safety and EMC regulatory compliance information.

If you are not familiar with ESD [Electro-Static Discharge] Procedures to be used during system assembly, complete ESD Procedures are described in your *Product Guide*.

Additional resources and support for your server chassis can be found at:
<http://support.intel.com/support/motherboards/server/chassis/SC5200>

Accessories and Order Codes

HS Drive Bay Upgrade Kit*	AXX2HSDRVUG
DLT Tape Drive and Slim Line CDROM Mounting Brackets	FHD2DLTBRK
ICMB Board Assembly Kit*	AXX2ICMBKIT
External SCSI Adapter Cable*	AXXEXTSCSICBL
Rack Kit	AHD3RACK

*Not available for use with all server boards.

A complete list of accessories and spares can be found at:
www.intel.com/go/serverbuilder

Build Value with Intel

Server Products, Programs and Support
Get the high-value server solutions you need by taking advantage of the outstanding value Intel provides to system integrators:

- High-quality server building blocks
- Extensive breadth of server building blocks
- Solutions and tools to enable e-Business
- Intel® Server Management
- Comprehensive training services†
- Worldwide 24x7 technical support (AT&T Country Code + 866-655-6565)†
- World-class service, including a three-year limited warranty and Advanced Warranty Replacement†

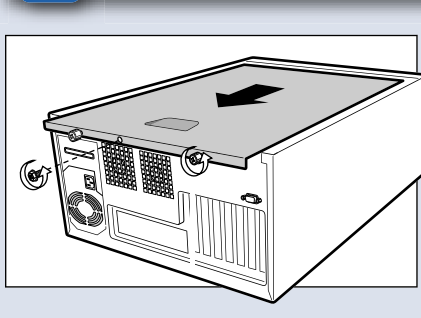
For more information on Intel's added-value server offerings, visit the Intel® ServerBuilder website at:
www.intel.com/go/serverbuilder

Intel ServerBuilder is your one-stop shop for information about all of Intel's Server Building Blocks such as:

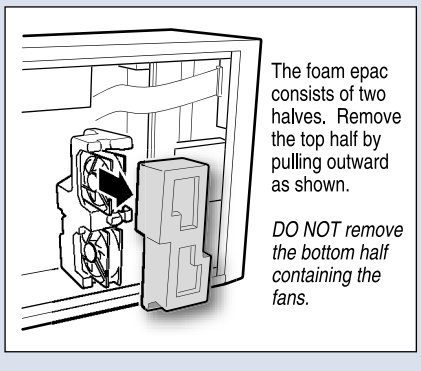
- Product information including product briefs and technical product specifications
- Sales tools such as videos and presentations
- Configurator Tools to help you build complete solutions
- Training information such as the Intel® Online Learning Center
- Support Information and much more

†Available only to Intel® Channel Program Members, part of Intel® e-Business Network.

1 Removing Top Cover



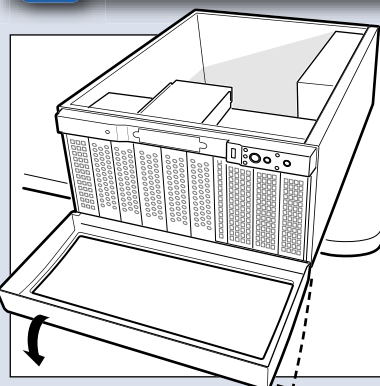
2 Removing the Epac



The foam epac consists of two halves. Remove the top half by pulling outward as shown.

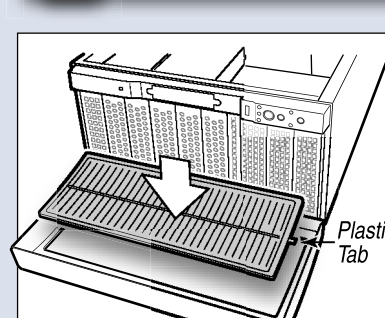
DO NOT remove the bottom half containing the fans.

3 System Placement



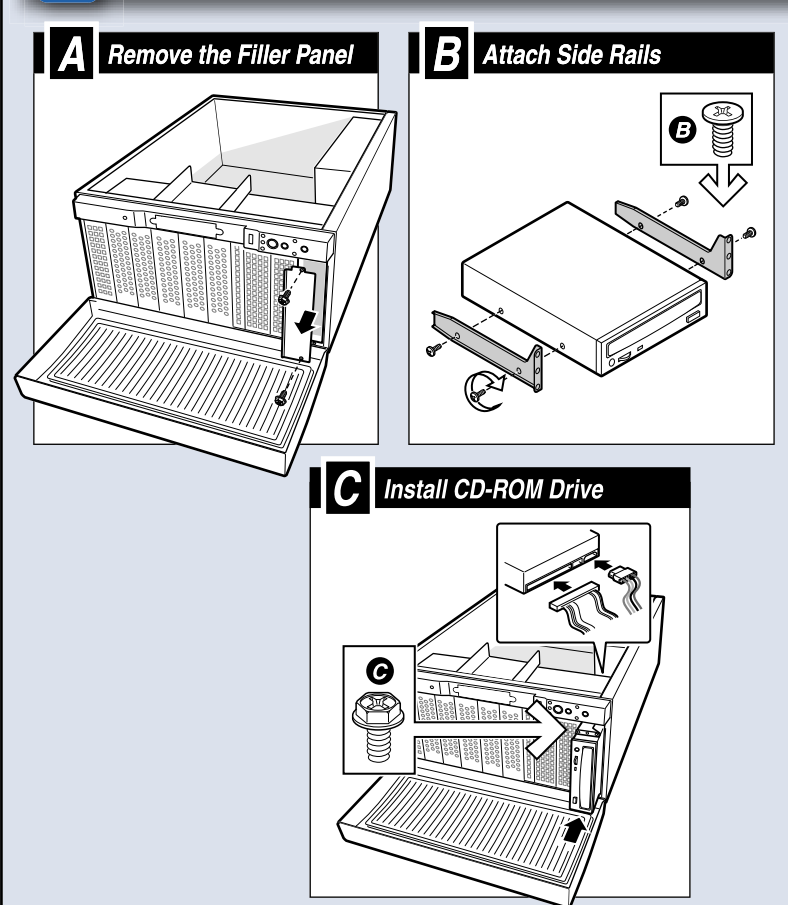
Position the front of the chassis over the edge of your work space so that the door can swing open as shown.

4 Installing the Grill



1. Position Grill with plastic tab toward the right side of the door as shown.
2. Push over tabs on door until grill snaps in place.

5 Installing the CD-ROM Drive

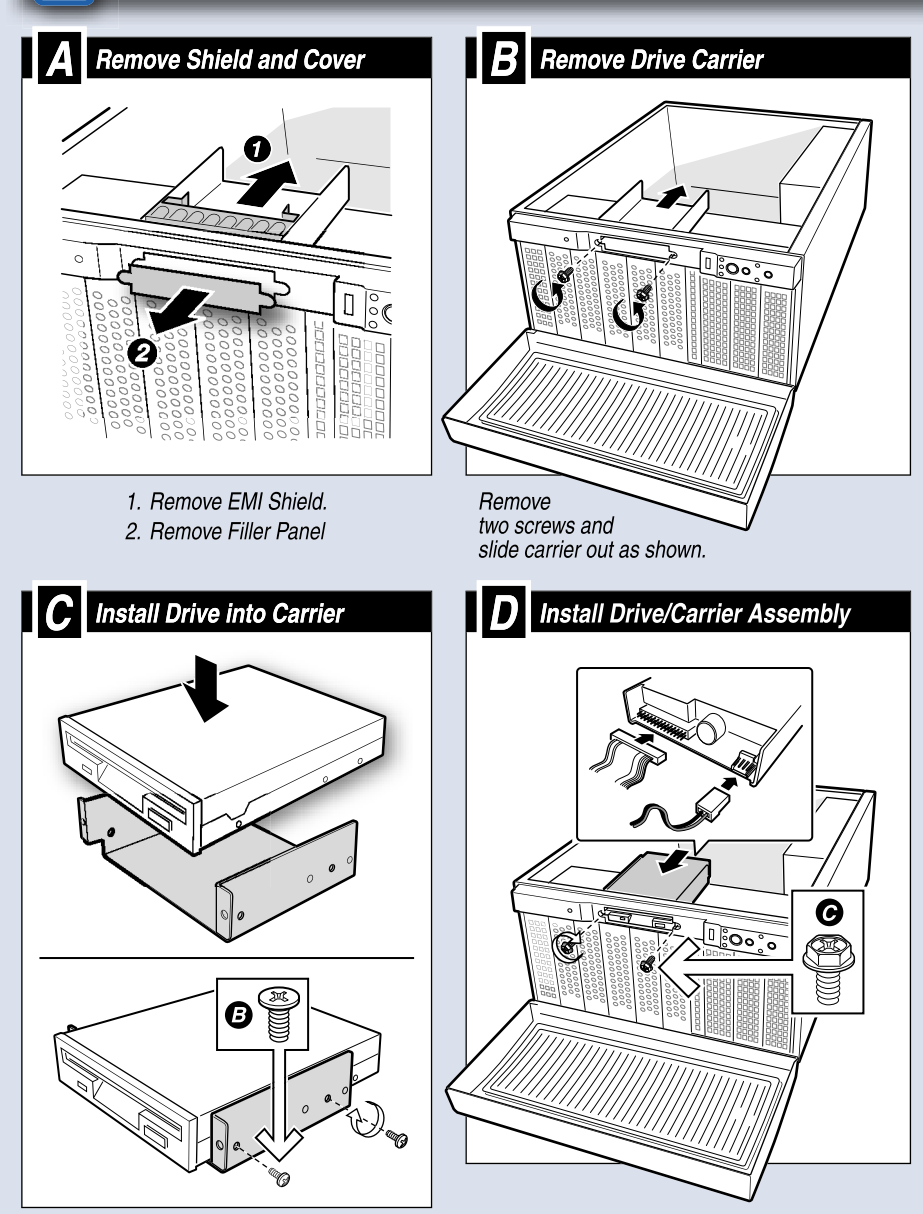


A Remove the Filler Panel

B Attach Side Rails

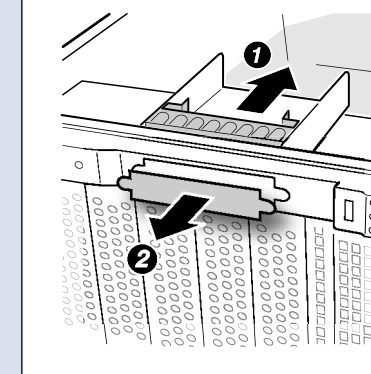
C Install CD-ROM Drive

6 Installing a Floppy Drive

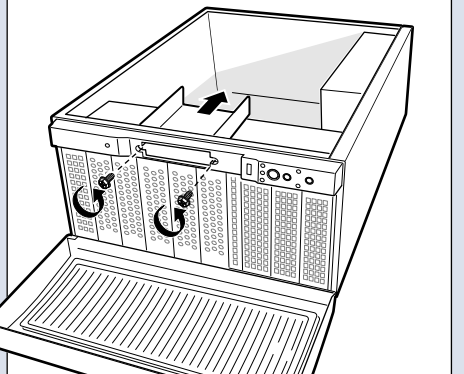


A Remove Shield and Cover

B Remove Drive Carrier



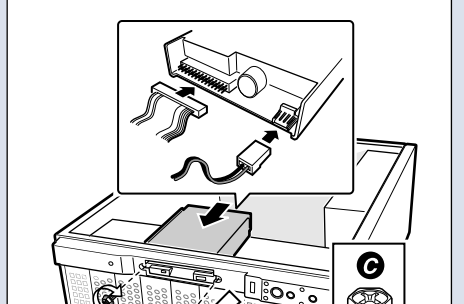
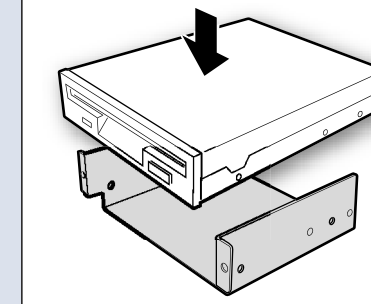
1. Remove EMI Shield.
2. Remove Filler Panel



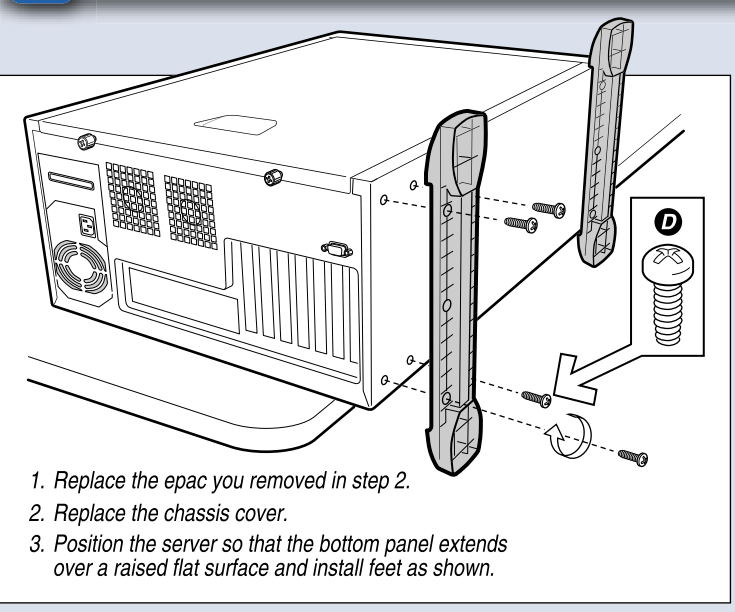
Remove two screws and slide carrier out as shown.

C Install Drive into Carrier

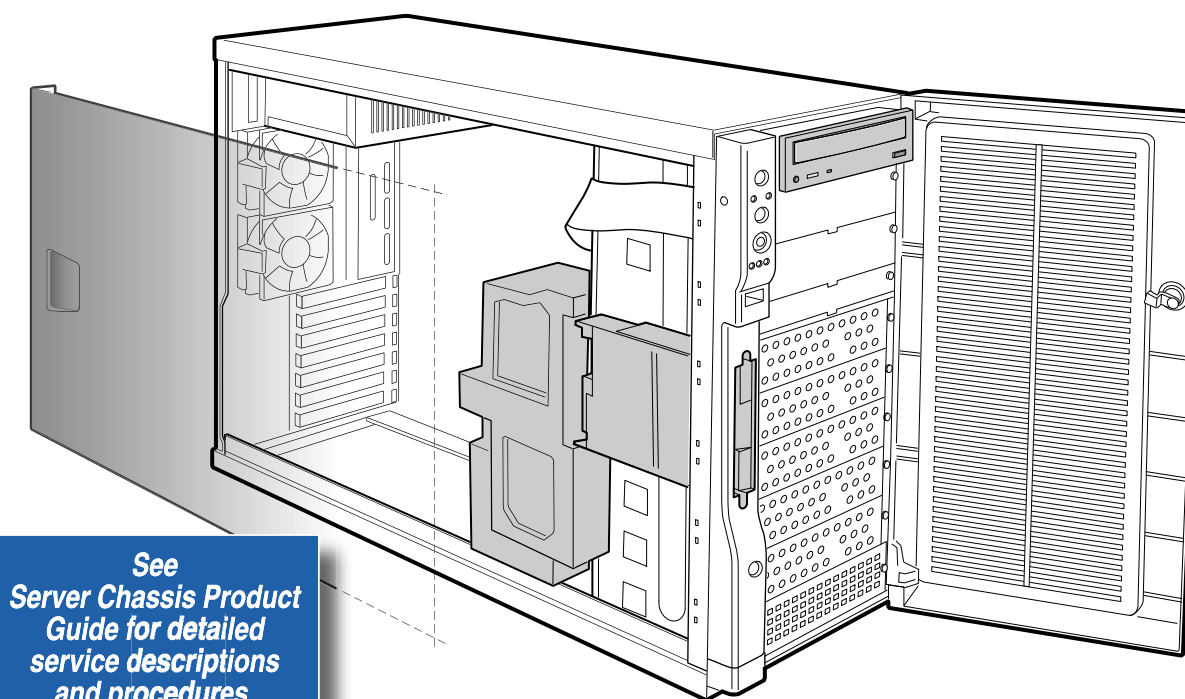
D Install Drive/Carrier Assembly



9 Finishing Up



1. Replace the epac you removed in step 2.
2. Replace the chassis cover.
3. Position the server so that the bottom panel extends over a raised flat surface and install feet as shown.

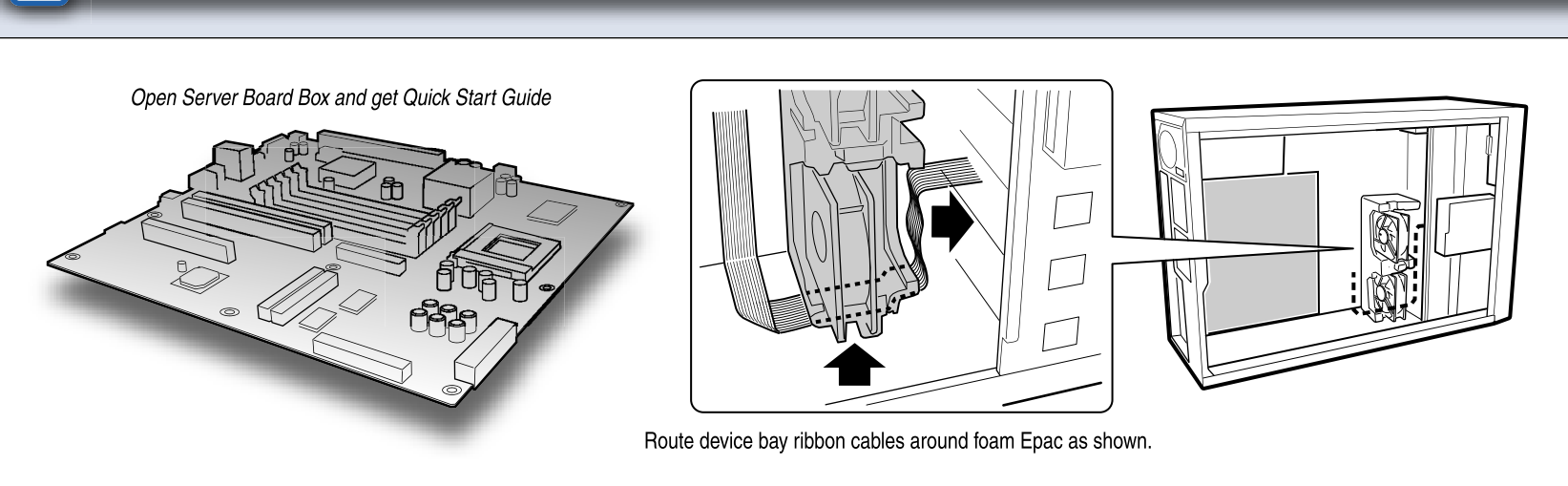


See
Server Chassis Product
Guide for detailed
service descriptions
and procedures.

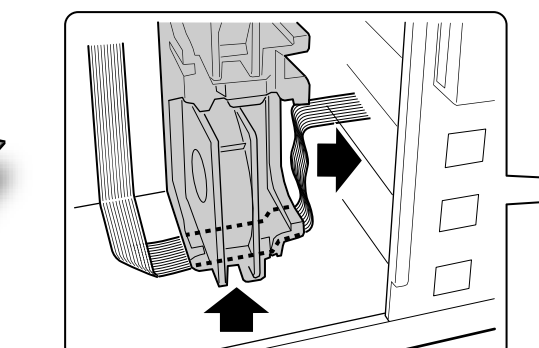
A88811-001



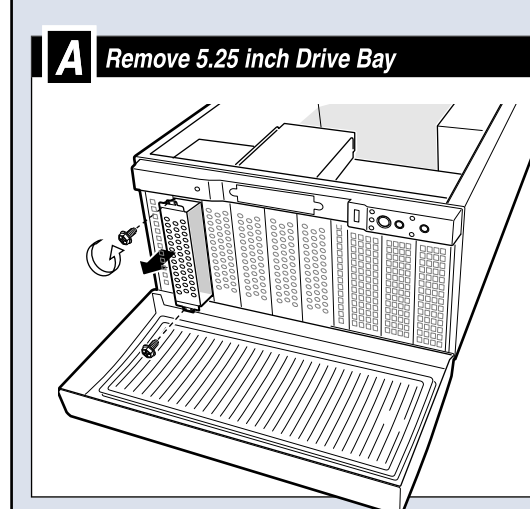
8 Installing a Server Board



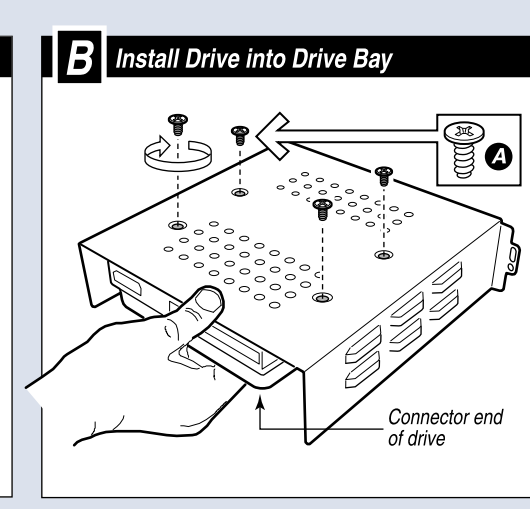
Open Server Board Box and get Quick Start Guide



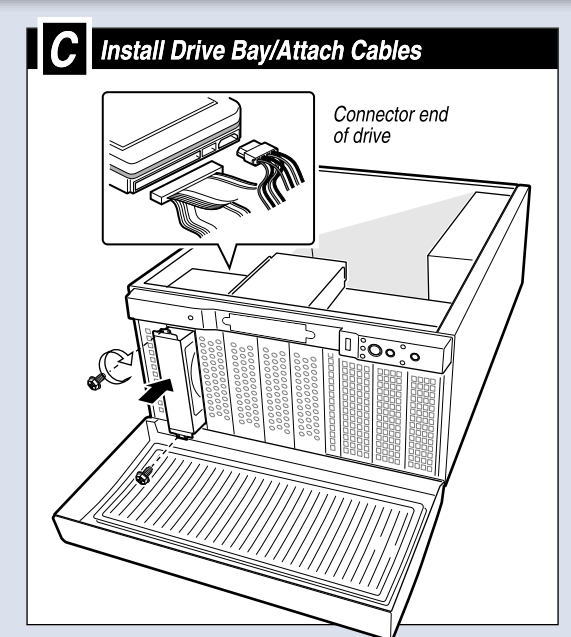
Route device bay ribbon cables around foam Epac as shown.



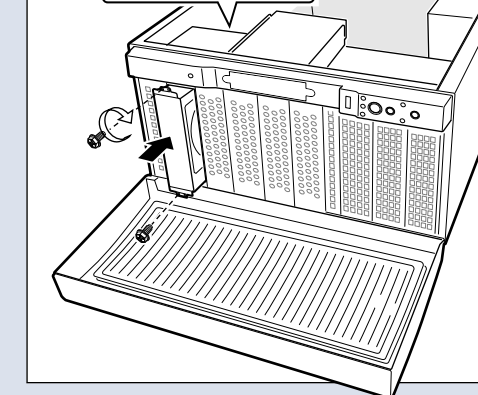
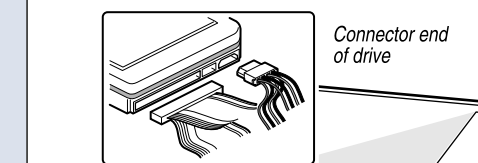
A Remove 5.25 inch Drive Bay



B Install Drive into Drive Bay



C Install Drive Bay/Attach Cables



intel®