

Local Control Panel Kit Installation Guide: Intel® Server Chassis SC5300 Intel® Entry Server Chassis SC5275-E

Order Number: C77420-001

C77420-001



Disclaimer

Information in this document is provided in connection with Intel® products. No license, express or implied, by estoppel or otherwise, to any intellectual property rights is granted by this document. Except as provided in Intel's Terms and Conditions of Sale for such products, Intel assumes no liability whatsoever, and Intel disclaims any express or implied warranty, relating to sale and/or use of Intel products including liability or warranties relating to fitness for a particular purpose, merchantability, or infringement of any patent, copyright or other intellectual property right. Intel products are not designed, intended or authorized for use in any medical, life saving, or life sustaining applications or for any other application in which the failure of the Intel product could create a situation where personal injury or death may occur. Intel may make changes to specifications and product descriptions at any time, without notice.

Intel is a registered trademark of Intel Corporation or its subsidiaries in the United States and other countries.

* Other names and brands may be claimed as the property of others.

Copyright © 2004 Intel Corporation. All Rights Reserved.

Important Safety Instructions

Important Safety Instructions

Read all caution and safety statements in this document before performing any of the instructions. See *Intel Server Boards and Server Chassis Safety Information* at <http://support.intel.com/support/motherboards/server/safecert.htm>.

Wichtige Sicherheitshinweise

Lesen Sie zunächst sämtliche Warn- und Sicherheitshinweise in diesem Dokument, bevor Sie eine der Anweisungen ausführen. Beachten Sie hierzu auch die Sicherheitshinweise zu Intel-Serverplatinen und -Servergehäusen unter <http://support.intel.com/support/motherboards/server/safecert.htm>.

重要安全指导

在执行任何指令之前，请阅读本文档中的所有注意事项及安全声明。和/或 <http://support.intel.com/support/motherboards/server/safecert.htm> 上的 *Intel Server Boards and Server Chassis Safety Information*（《Intel 服务器主板与服务器机箱安全信息》）。

Consignes de sécurité

Lisez attention toutes les consignes de sécurité et les mises en garde indiquées dans ce document avant de suivre toute instruction. Consultez *Intel Server Boards and Server Chassis Safety Information* rendez-vous sur le site <http://support.intel.com/support/motherboards/server/safecert.htm>.

Instrucciones de seguridad importantes

Lea todas las declaraciones de seguridad y precaución de este documento antes de realizar cualquiera de las instrucciones. Vea *Intel Server Boards and Server Chassis Safety Information* en <http://support.intel.com/support/motherboards/server/safecert.htm>.



WARNINGS

SERVER POWER ON/OFF: The push-button on/off power switch on the front panel of the server **does not** turn off the AC power. To remove AC power from the server, you must unplug the AC power cord from either the power supply or wall outlet.

HAZARDOUS CONDITIONS—POWER SUPPLY: Hazardous voltage, current, and energy levels are present inside the power supply enclosure. There are no user-serviceable parts inside it; servicing should only be done by technically qualified personnel.

HAZARDOUS CONDITIONS—DEVICES AND CABLES: Hazardous electrical conditions may be present on power, telephone, and communication cables. Turn off the server and disconnect telecommunications systems, networks, modems, and the power cord attached to the server before opening it. Otherwise, personal injury or equipment damage can result.

AVOID INJURY: Lifting the server chassis and attaching it to the rack is a two-person job. If needed, use an appropriate lifting device.



CAUTIONS

Temperature: The operating temperature of the server, when installed in an equipment rack, must not go below 5 °C (41 °F) or rise above 35 °C (95 °F). Extreme fluctuations in temperature can cause a variety of problems in your server.

Ventilation: The equipment rack must provide sufficient airflow to the front of the server to maintain proper cooling.

Contents

About the Local Control Panel Kit	1
Kit Contents.....	1
Local Control Panel Installation Procedure for Intel® Server Chassis	
SC5300	2
Required Tools.....	2
Remove Access Cover.....	2
Remove the Bezel Assembly	3
Remove Outer Bezel Door from Bezel Assembly	4
Remove Upper Third of Bezel Grill	5
Install LCP grill	6
Remove Lowest CD-ROM/DVD Drive Filler Panel.....	6
Install EMI Shield onto LCP Carrier	7
Inserting LCP Carrier into Drive Bay of Server Chassis.....	8
Route the LCP Cable	9
Connect LCP Cable to LCP Header of Server Board	10
Replace Bezel Assembly	12
Replace the Access Cover.....	13
Local Control Panel Installation Procedure for Intel® Entry Server Chassis	
SC5275-E	14
Remove the Access Cover.....	14
Remove the Bezel.....	15
Remove Lowest CD-ROM/DVD Drive Filler Panel.....	15
Install EMI Shield onto LCP Carrier	16
Inserting LCP Carrier into Drive Bay of Server Chassis.....	16
Route the LCP Cable	17
Connect LCP Cable to LCP Header on Server Board	18
Replace Bezel.....	20
Replace Access Cover.....	21

Figures

Figure 1. Removing Access Cover.....	2
Figure 2. Removing Bezel Assembly	3
Figure 3. Removing Outer Bezel Door from Bezel Assembly	4
Figure 4. Removing Upper One-third of Bezel Grill.....	5
Figure 5. Installing LCP Grill	6
Figure 6. Removing Lowest Floppy/CD-ROM/DVD Drives or Filler Panel.....	6
Figure 7. Installing EMI Shield on LCP Carrier	7
Figure 8. Attaching Drive Rails to LCP Carrier.....	8
Figure 9. Installing LCP Carrier.....	8
Figure 10. Routing the LCP Cable	9
Figure 11. Attaching LCP Cable to Header on Intel® Server Board SE7520AF2.....	10
Figure 12. Attaching LCP Cable to Header on Intel® Server Board SE7520BD2	11
Figure 13. Installing Inner Bezel Door.....	12
Figure 14. Replacing Access Cover.....	13
Figure 15. Removing Access Cover.....	14
Figure 16. Removing Bezel.....	15
Figure 17. Removing Lowest Floppy/CD-ROM/DVD Drives or Filler Panel.....	15
Figure 18. Installing EMI Shield on LCP Carrier	16
Figure 19. Installing Drive Rails to LCP Carrier	16
Figure 20. Inserting LCP Carrier into Drive Bay of Intel® Entry Server Chassis SC5275-E	17
Figure 21. Routing LCP Cable in Intel® Entry Server Chassis SC5275-E.....	17
Figure 22. Attaching LCP Cable to Header on Intel® Server Board SE7520AF2.....	18
Figure 23. Attaching LCP Cable to Header on Intel® Server Board SE7520BD2	19
Figure 24. Installing Bezel.....	20
Figure 25. Replacing Access Cover.....	21

About the Local Control Panel Kit

This Local Control Panel kit allows you to install a LCD display into your Intel® Server Chassis SC5300 or Intel® Entry Server Chassis SC5275-E. This accessory kit is required to connect and install a Local Control Panel into your server. For the Local Control Panel to function properly, you will need an Intel® Management Module installed on your Intel® server board.

With this kit, you may install the following:

- One floppy drive and either a CD-ROM drive or a DVD-ROM drive

⇒ NOTE

For the Local Control Panel to function properly on an Intel® server board, you will need to install an Intel® Management Module on the server board.

Kit Contents

- Local Control Panel (LCP)
- LCP Cable, preinstalled on LCP board
- EMI shield
- Grillwork for Intel Server Chassis SC5300
- Screws:
 - Fastener “A”
 - Fastener “CD”
 - Fastener “FDU”

⇒ NOTE

The Local Control Panel is designed for use with a Pedestal-configured chassis. It is not intended for use on the Intel Server Chassis SC5300 in a rack-mount configuration.

Local Control Panel Installation Procedure for Intel® Server Chassis SC5300

⇒ NOTE

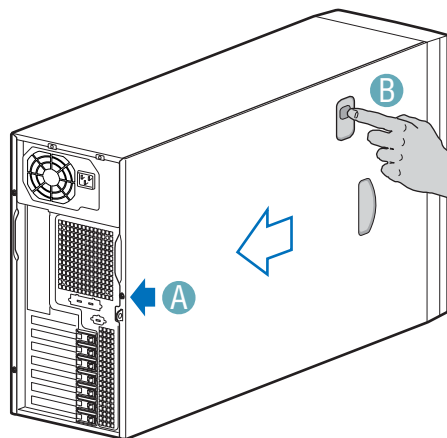
This section only applies to Local Control Panel kit installations in the Intel® Server Chassis SC5300, SC5300 BRP, or SC5300 LX. If you are installing a Local Control Panel kit into an Intel® Entry Server Chassis SC5275-E, follow the instructions under the section titled “Local Control Panel Installation Procedure for Intel® Entry Server Chassis SC5275-E.”

Required Tools

- Cross (Phillips*) screwdriver

Remove Access Cover

1. Unplug all power and peripheral cables from the chassis.
2. If necessary, remove shipping screw from the back of the chassis cover (letter “A”). Release latch (letter “B”) and remove access cover.



TP00527

Figure 1. Removing Access Cover

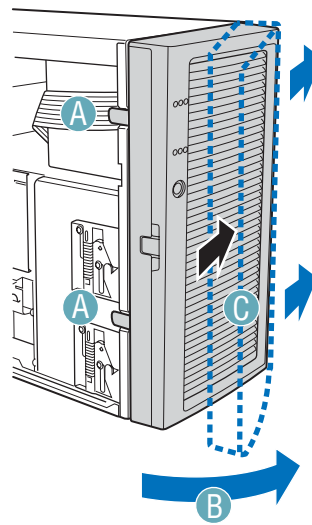
Remove the Bezel Assembly

Release the two plastic tabs (letter “A”) on the left side of the Bezel Assembly to disengage the tabs. Rotate the Bezel Assembly (letter “B”) no more than 40 degrees outward. At a 40-degree angle, push the Bezel Assembly away from the chassis (letter “C”). If Bezel Assembly does not immediately disconnect from the chassis, then tap the left-hand side of the Bezel Assembly to disengage the bezel hooks on the right-hand side of the chassis.



CAUTION

Do not rotate the Bezel Assembly more than 40 degrees or you can damage the bezel hooks on the right-hand side of the Bezel Assembly.



TP01042

Figure 2. Removing Bezel Assembly

Remove Outer Bezel Door from Bezel Assembly

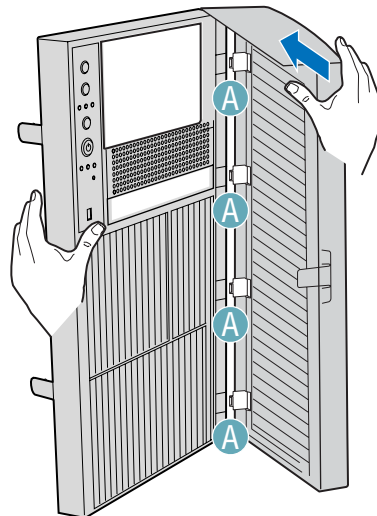
⇒ **NOTE**

The Bezel Assembly consists of two parts, an Inner Bezel Door and an Outer Bezel Door.

With one hand supporting the Inner Bezel Door, use your other hand to push the Outer Bezel Door away from the Inner Bezel Door. The Outer Bezel Door will disengage from the Inner Bezel Door at the four hinges (letter “A”).

⚠ **CAUTION**

Only open the Outer Bezel Door slightly (about 20 degrees) before removing it. Opening the Outer Bezel Door all the way before removing may break the hinges.

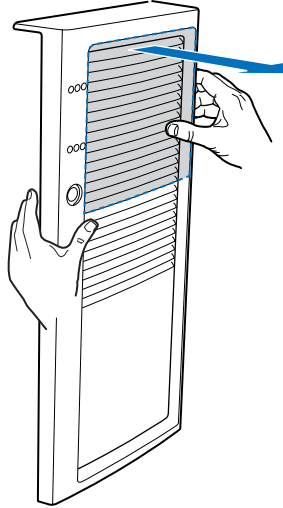


TP01055

Figure 3. Removing Outer Bezel Door from Bezel Assembly

Remove Upper Third of Bezel Grill

Remove the upper one-third of the Bezel Grill by pushing grill forward.

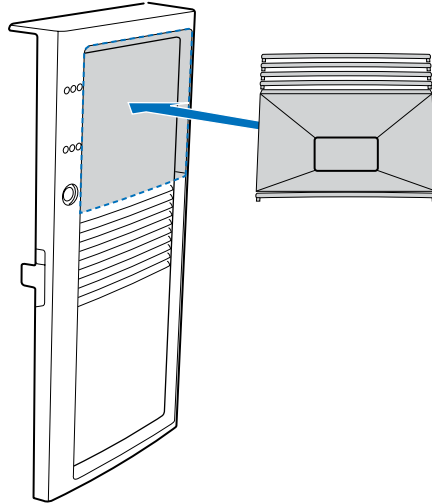


TP00636

Figure 4. Removing Upper One-third of Bezel Grill

Install LCP grill

Install new LCP Grill into Bezel by pressing grill in from the front.

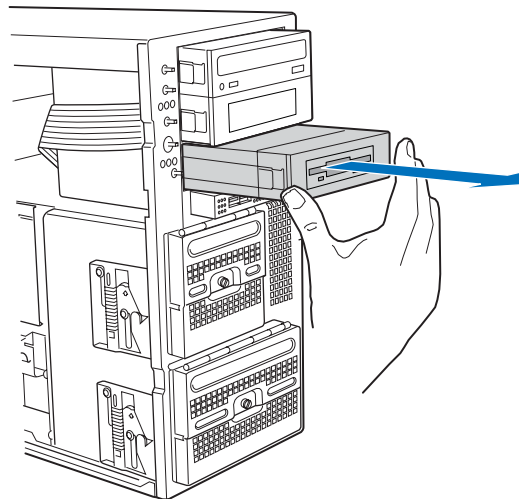


TP00637

Figure 5. Installing LCP Grill

Remove Lowest CD-ROM/DVD Drive Filler Panel

Remove the lowest CD-ROM/DVD/Floppy drive or filler panel from chassis.



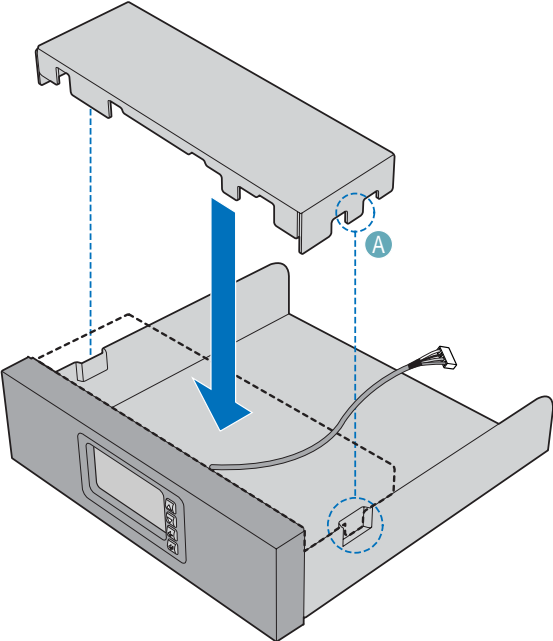
TP00638

Note: Removal of CD-ROM drive shown.

Figure 6. Removing Lowest Floppy/CD-ROM/DVD Drives or Filler Panel

Install EMI Shield onto LCP Carrier

Your backplane board shipped with an EMI shield that has to be installed. Install the EMI shield by aligning the middle tooth (letter “A”) with the indentation in the side of the LCP Carrier as shown in the following illustration.

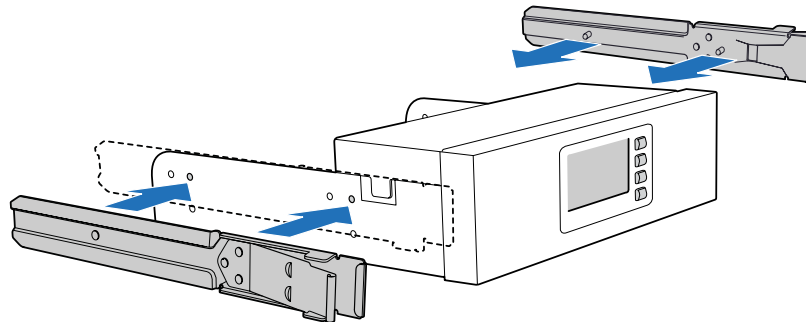


TP00635

Figure 7. Installing EMI Shield on LCP Carrier

Inserting LCP Carrier into Drive Bay of Server Chassis

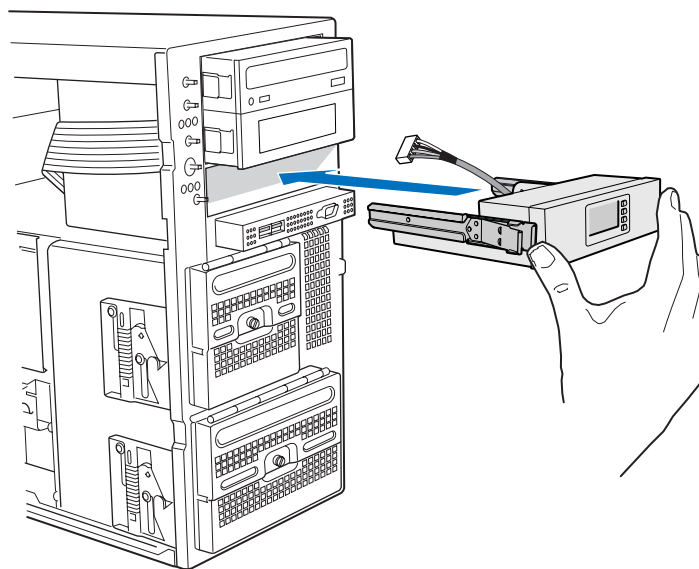
1. Attach drive rails to LCP Carrier using the top set of holes.



TP00634

Figure 8. Attaching Drive Rails to LCP Carrier

2. Feed the LCP cable through the drive bay opening. Slide LCP Carrier into server chassis. Make sure that the drive rails are using the correct slots in the chassis.

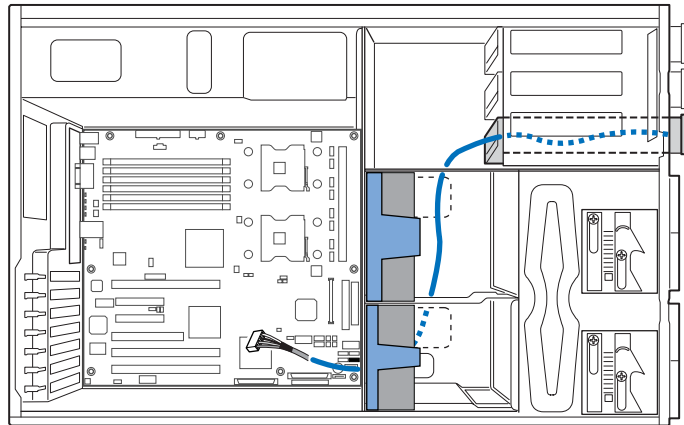


TP00639

Figure 9. Installing LCP Carrier

Route the LCP Cable

Route the LCP cable under the chassis fan area (along side the floppy and IDE cables) to the corner of the server board where the LCP header is located on your Intel® Server Board SE7520AF2 or your Intel® Server Board SE7520BD2.



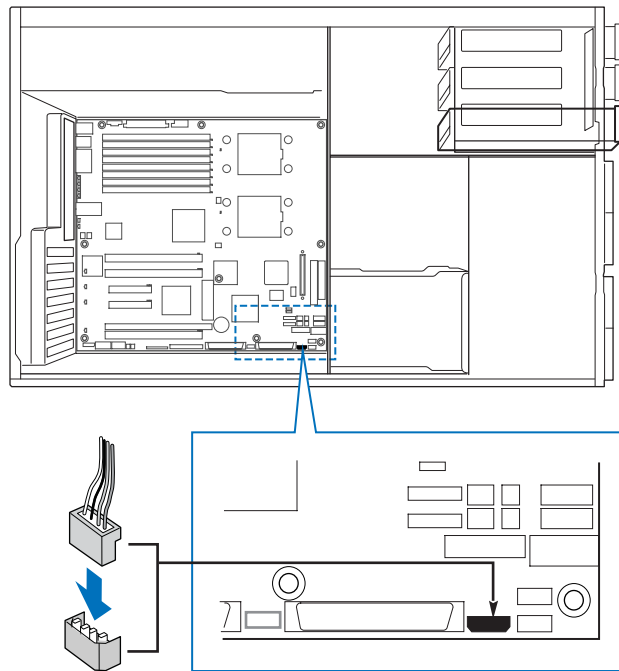
TP00640

Note: Intel® Server Board SE7520BD2 is shown.

Figure 10. Routing the LCP Cable

Connect LCP Cable to LCP Header of Server Board

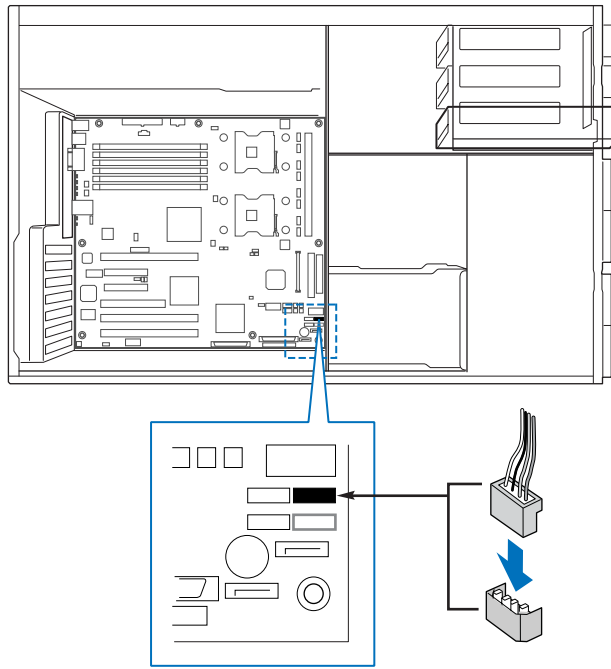
1. Connect the LCP cable to the LCP header on the server board.
2. For an Intel Server Board SE7520AF2, use header J1J1 on the server board.



TP00642

Figure 11. Attaching LCP Cable to Header on Intel® Server Board SE7520AF2

3. For an Intel Server Board SE7520BD2, use header J2K8 on the server board.



TP00641

Figure 12. Attaching LCP Cable to Header on Intel® Server Board SE7520BD2

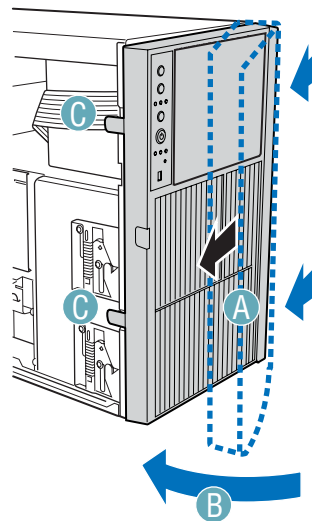
Replace Bezel Assembly

Fit the right-hand side of the Inner Bezel Door against the right-hand side of chassis and engage plastic bezel hooks (letter “A”) into raised metal slots at chassis edge. Rotate Inner Bezel Door inward (letter “B”) and latch the two plastic tabs (letter “C”) to left-hand side of chassis. Attach Outer Bezel Door by aligning hinges with the right-hand side of Inner Bezel Door and snapping into place.



CAUTION

Do not attach Inner Bezel Door to chassis at more than a 40-degree angle or you may damage the bezel hooks at the right-hand side of the door.

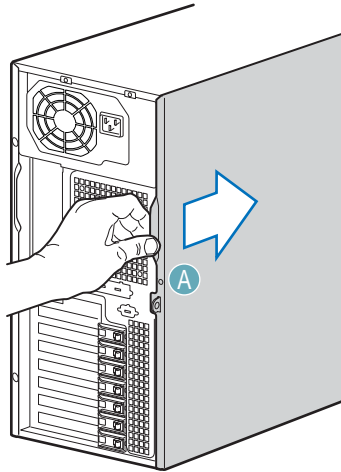


TP01130

Figure 13. Installing Inner Bezel Door

Replace the Access Cover

1. Replace access cover and slide forward to secure cover to chassis. Replace shipping screw (letter “A”) if desired.



TP01000

Figure 14. Replacing Access Cover

Local Control Panel Installation Procedure for Intel® Entry Server Chassis SC5275-E

⇒ NOTE

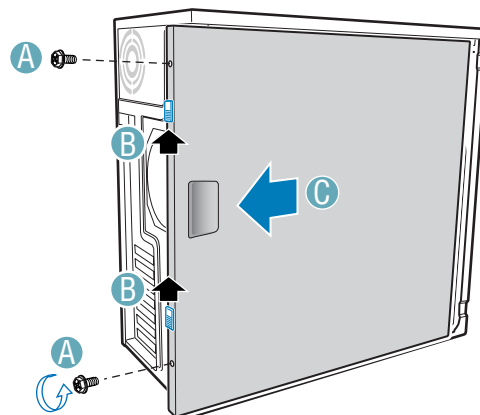
This section only applies to Local Control Panel kit installations in the Intel® Entry Server Chassis SC5275-E. If you are installing a Local Control Panel kit into an Intel® Server Chassis SC5300, SC5300 BRP, or SC5300 LX, follow the instructions under the section titled “Local Control Panel Installation Procedure for Intel® Server Chassis SC5300.”

Remove the Access Cover

When your chassis is upright (in a tower/pedestal position), and you are facing the front of it, the Access Cover is on the left side.

To remove the Access Cover:

1. Power the system off and disconnect the power cord.
2. If the shipping screws are installed, remove both shipping screws (letter “A”).
3. Slide the two thumb latches (letter “B”) to the OPEN position.
4. Slide the Access Cover rearward and lift to remove (letter “C”).



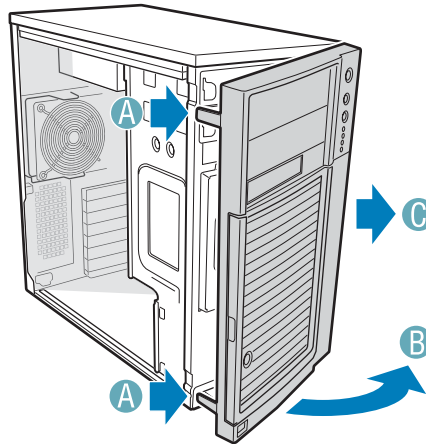
TP00931

Figure 15. Removing Access Cover

Remove the Bezel

To remove the Bezel:

1. Disengage the two bezel tabs (letter “A”) from the chassis.
2. Rotate the left side of Bezel outward slightly (letter “B”).
3. Disengage the latches that attach the right side of the Bezel to the chassis and remove (letter “C”).

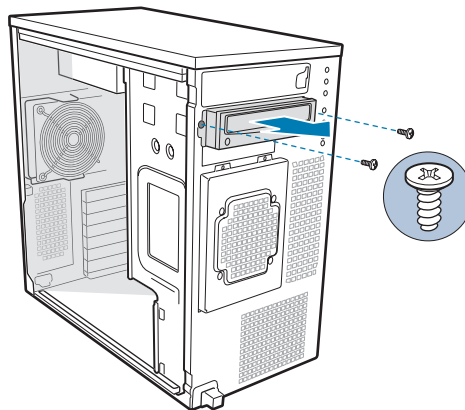


TP00932

Figure 16. Removing Bezel

Remove Lowest CD-ROM/DVD Drive Filler Panel

Remove the lowest CD-ROM/DVD/Floppy drive or filler panel from chassis.



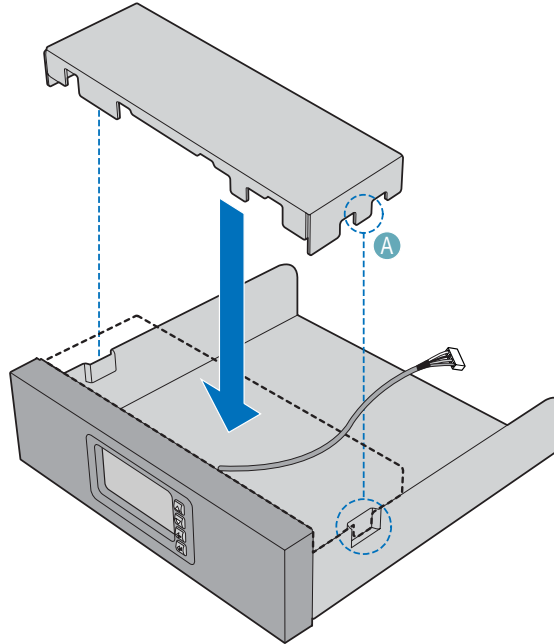
TP00643

Note: Removal of CD-ROM drive shown.

Figure 17. Removing Lowest Floppy/CD-ROM/DVD Drives or Filler Panel

Install EMI Shield onto LCP Carrier

Your backplane board shipped with an EMI shield that has to be installed. Install the EMI shield by aligning the middle tooth (letter “A”) with the indentation in the side of the LCP Carrier as shown in the following illustration.

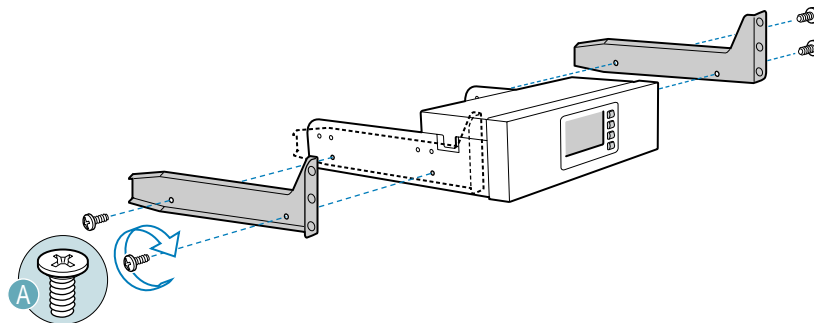


TP00635

Figure 18. Installing EMI Shield on LCP Carrier

Inserting LCP Carrier into Drive Bay of Server Chassis

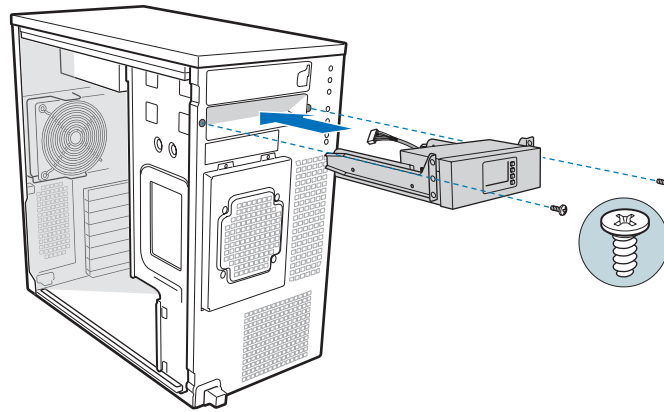
1. Install the drive rails by attaching each rail with two screws to the two lower holes on each side of the LCP Carrier. Use the F holes on the drive rails.



TP00644

Figure 19. Installing Drive Rails to LCP Carrier

2. Feed the cable in first. Slide LCP Carrier into desired 5.25-in drive bay and secure with two screws to the front of chassis.

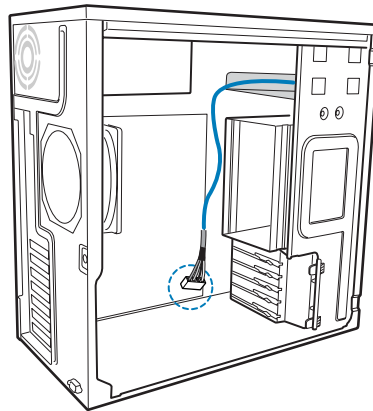


TP00645

Figure 20. Inserting LCP Carrier into Drive Bay of Intel® Entry Server Chassis SC5275-E

Route the LCP Cable

Route the LCP Cable to the corner of the server board where the LCP header is located on your Intel® Server Board SE7520AF2 or your Intel® Server Board SE7520BD2.



TP00646

Figure 21. Routing LCP Cable in Intel® Entry Server Chassis SC5275-E

Connect LCP Cable to LCP Header on Server Board

1. Connect the LCP Cable to the LCP header on the server board.
2. For an Intel® Server Board SE7520AF2, use header J1J1 on the server board.

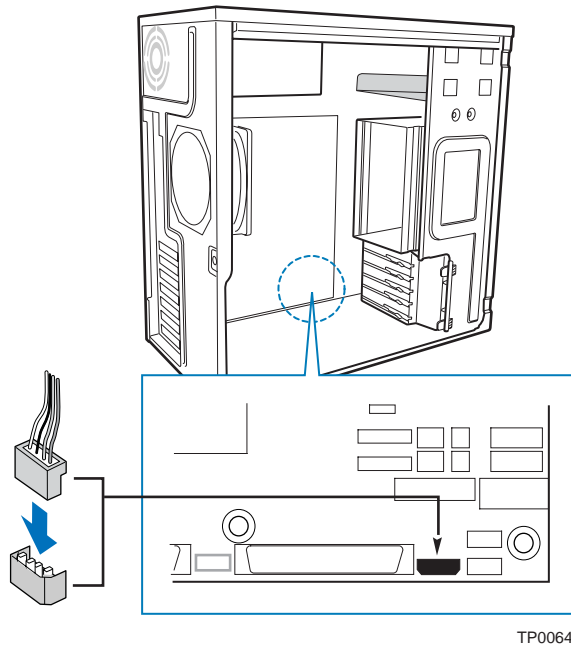


Figure 22. Attaching LCP Cable to Header on Intel® Server Board SE7520AF2

3. For an Intel® Server Board SE7520BD2, use header J2K8 on the server board.

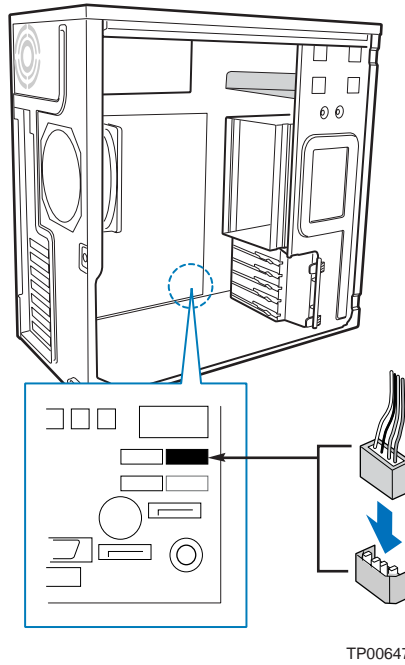
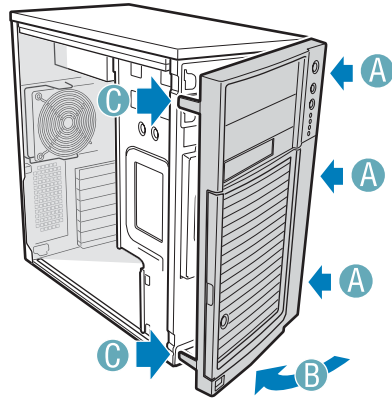


Figure 23. Attaching LCP Cable to Header on Intel® Server Board SE7520BD2

Replace Bezel

1. If necessary, remove filler panel from Bezel that corresponds to the position of the LCP Carrier.
2. Engage the three clips (letter “A”) at the right edge of the Bezel with the corresponding latches on the right side of the chassis.
3. Rotate the left side of Bezel towards the chassis (letter “B”).
4. Snap the two bezel tabs (letter “C”) into their corresponding recesses at left edge of chassis.



TP00934

Figure 24. Installing Bezel

Replace Access Cover

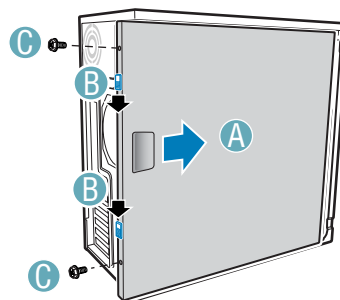
To replace the Access Cover:

1. Position Access Cover on chassis (letter “A”).
2. Slide the two thumb latches (letter “B”) to the CLOSED position.
3. (optional) Replace shipping screws (letter “C”).



CAUTION

This chassis must be operated with the Access Cover installed to ensure proper cooling.



TP00935

Figure 25. Replacing Access Cover