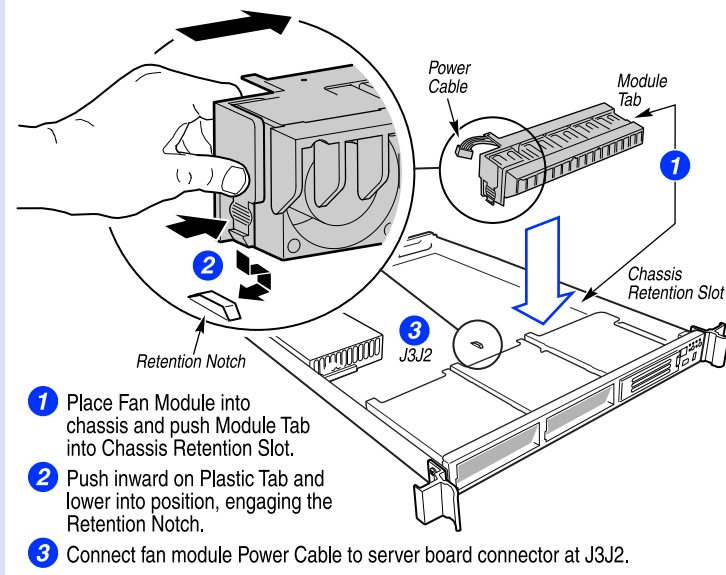
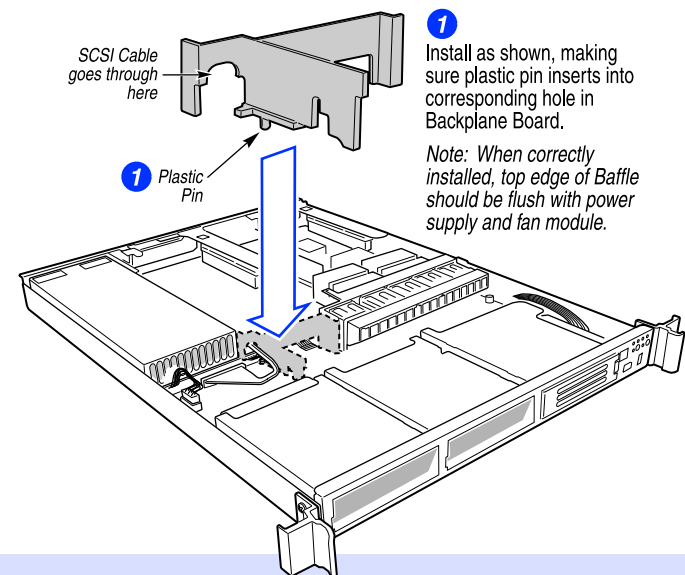


## 13 Install Fan Module



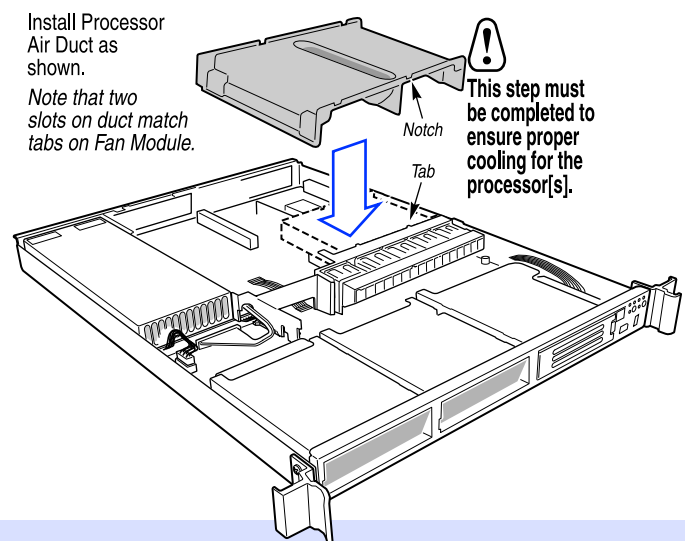
- Place Fan Module into chassis and push Module Tab into Chassis Retention Slot.
- Push inward on Plastic Tab and lower into position, engaging the Retention Notch.
- Connect fan module Power Cable to server board connector at J3J2.

## 14 Install Chassis Air Baffle



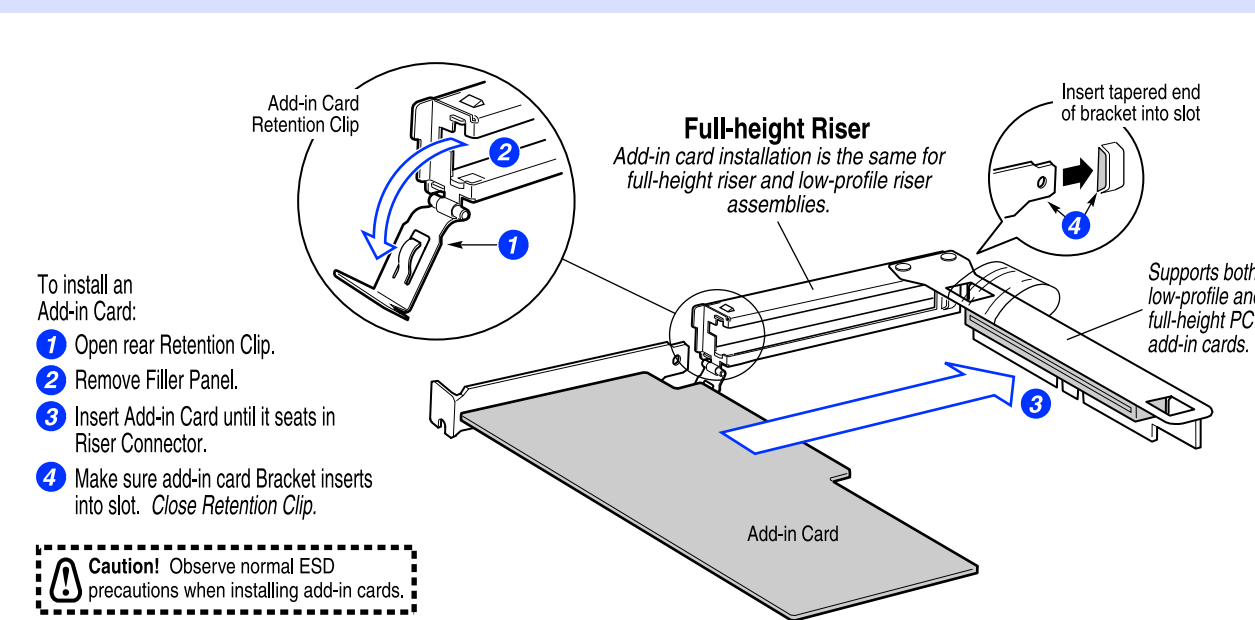
- Install as shown, making sure plastic pin inserts into corresponding hole in Backplane Board.  
Note: When correctly installed, top edge of Baffle should be flush with power supply and fan module.

## 15 Install Processor Air Duct



- Install Processor Air Duct as shown.  
Note that two slots on duct match tabs on Fan Module.
- This step must be completed to ensure proper cooling for the processor(s).

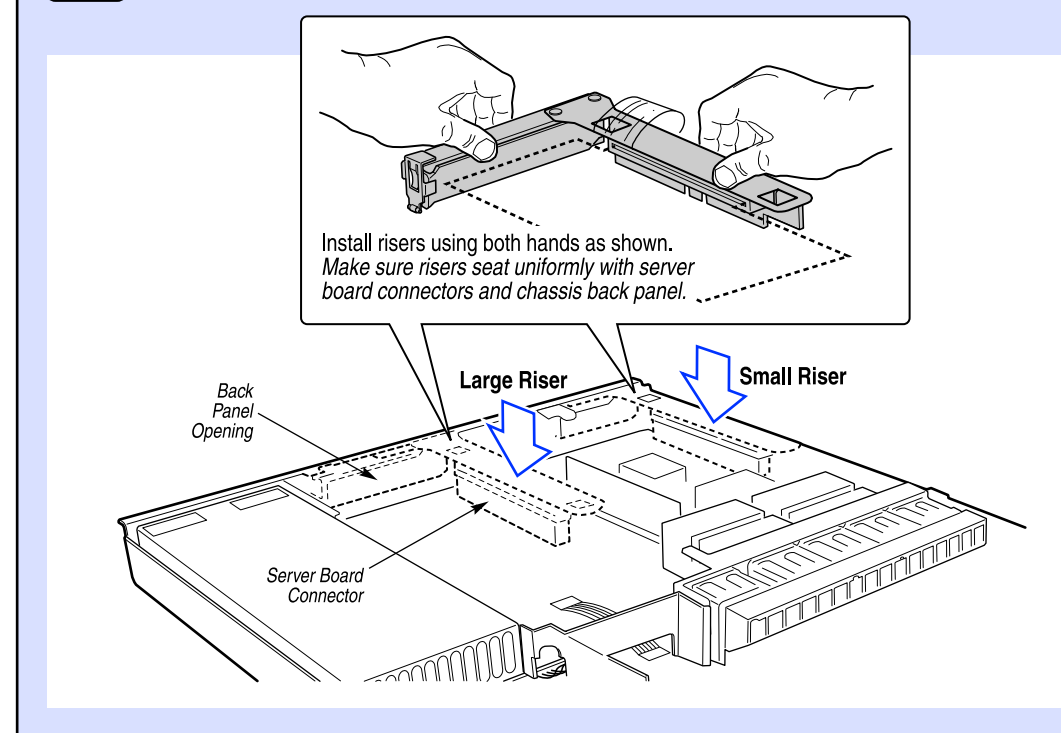
## 16 Installing Add-in Cards



- To install an Add-in Card:
- Open rear Retention Clip.
  - Remove Filler Panel.
  - Insert Add-in Card until it seats in Riser Connector.
  - Make sure add-in card Bracket inserts into slot. Close Retention Clip.

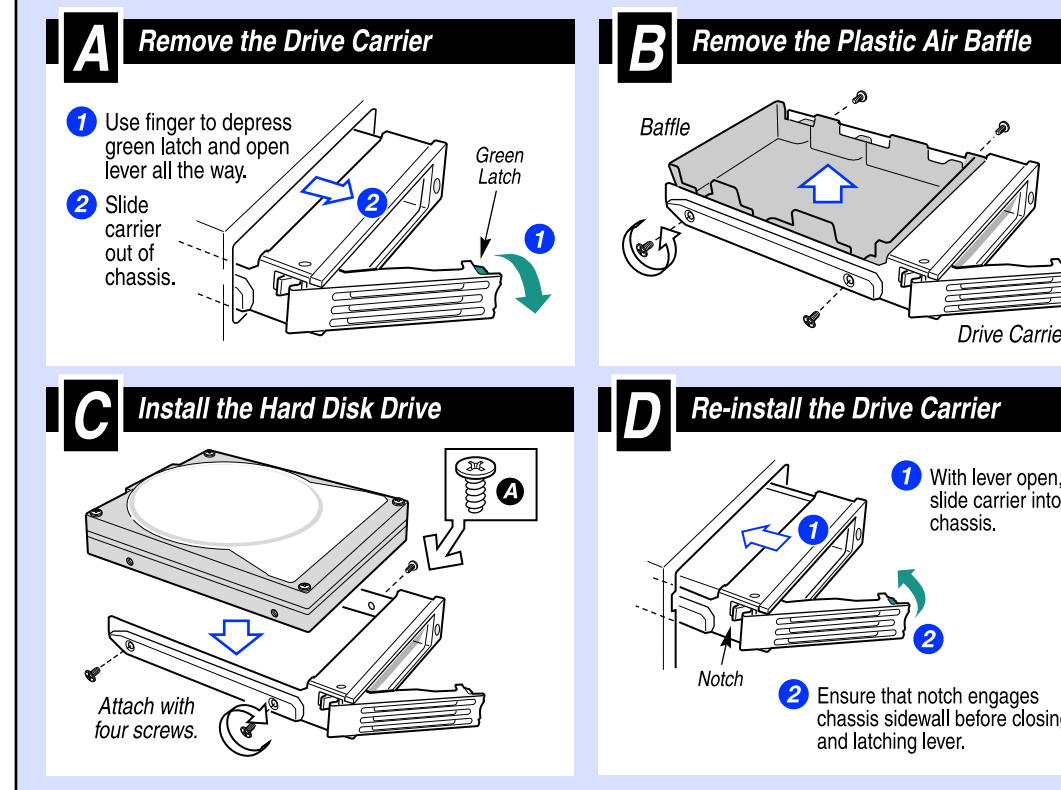
**Caution!** Observe normal ESD precautions when installing add-in cards.

## 17 Installing Add-in Card Risers into Chassis



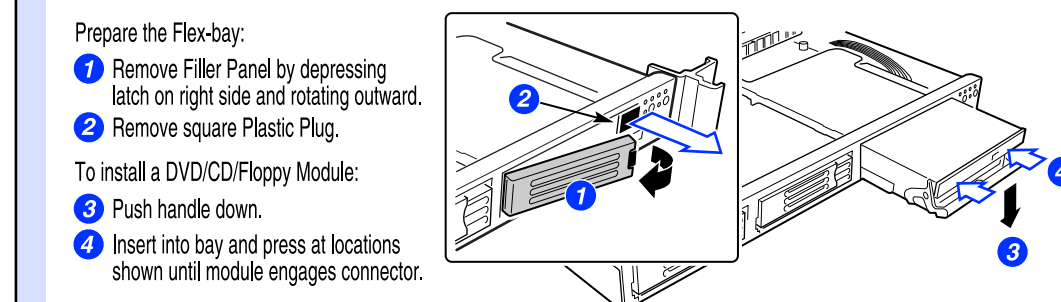
Install risers using both hands as shown. Make sure risers seat uniformly with server board connectors and chassis back panel.

## 18 Installing Hard Disk Drives



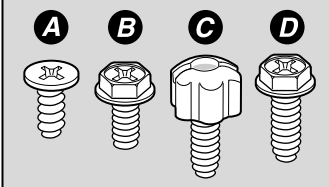
- A Remove the Drive Carrier**
- Use finger to depress green latch and open lever all the way.
  - Slide carrier out of chassis.
- B Remove the Plastic Air Baffle**
- C Install the Hard Disk Drive**
- D Re-install the Drive Carrier**
- With lever open, slide carrier into chassis.
  - Ensure that notch engages chassis sidewall before closing and latching lever.

## 19 Installing DVD/CD/Floppy Module [Optional]

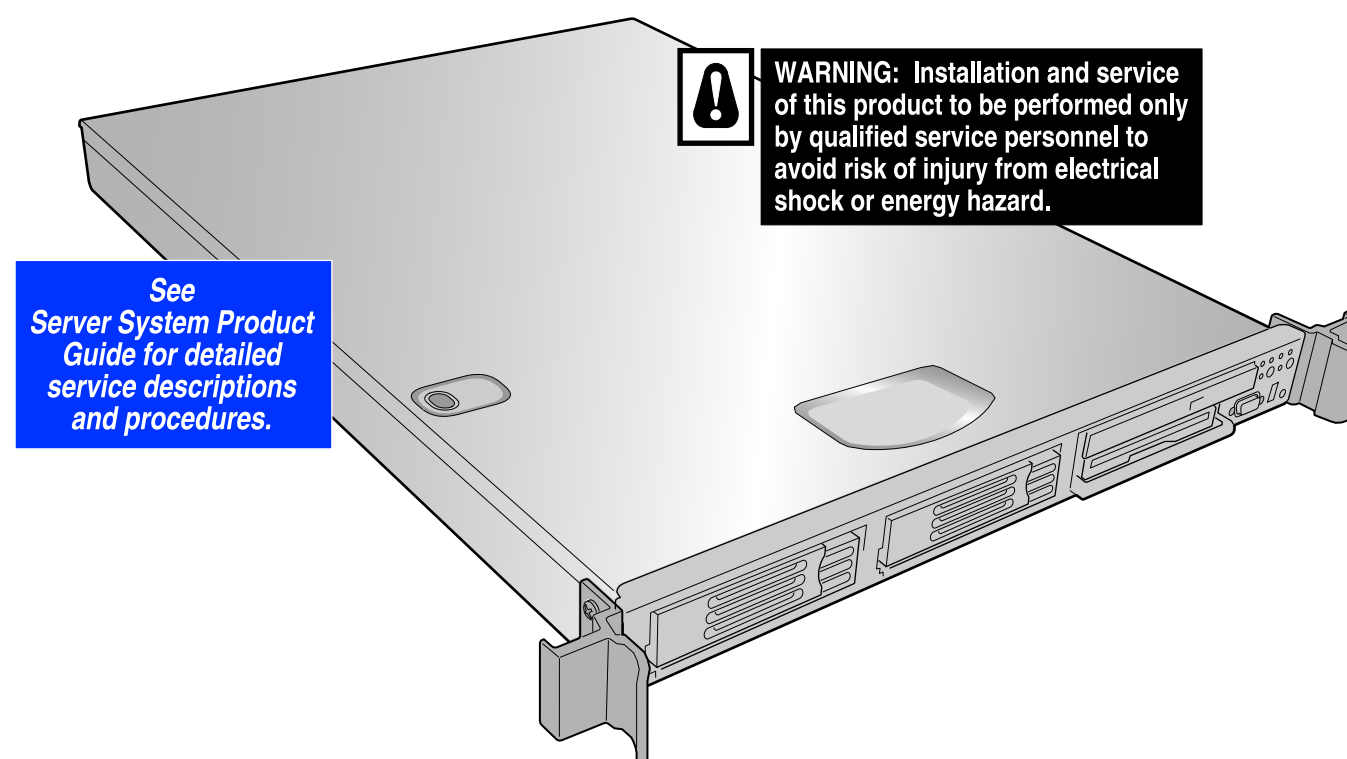
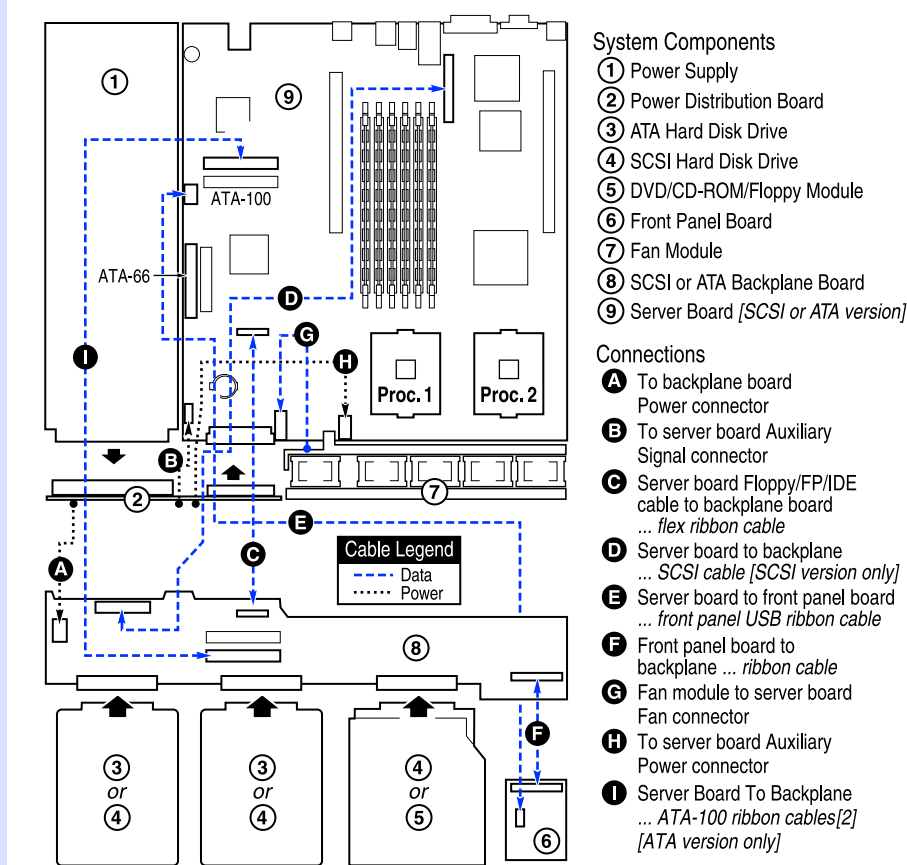


- Prepare the Flex-bay:
- Remove Filler Panel by depressing latch on right side and rotating outward.
  - Remove square Plastic Plug.
- To install a DVD/CD/Floppy Module:
- Push handle down.
  - Insert into bay and press at locations shown until module engages connector.

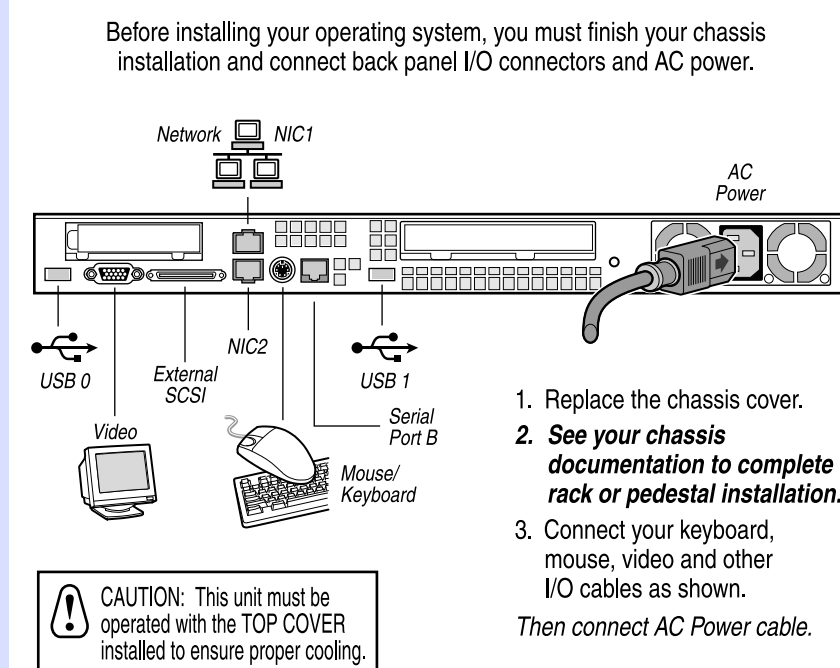
### Fastener Identification Guide



## Reference System Cable Connection Diagram

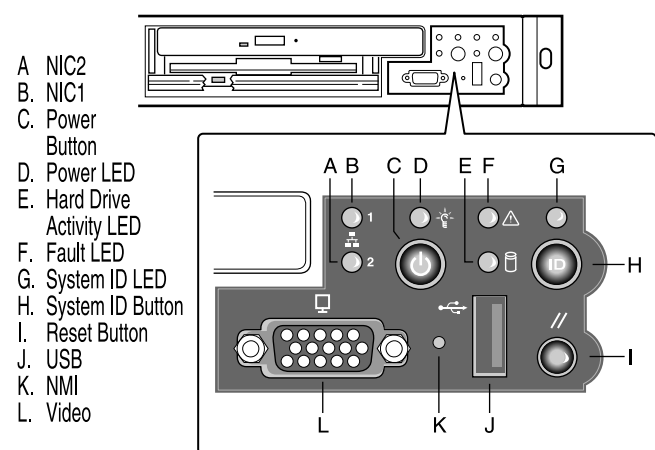


## 20 Finishing Up



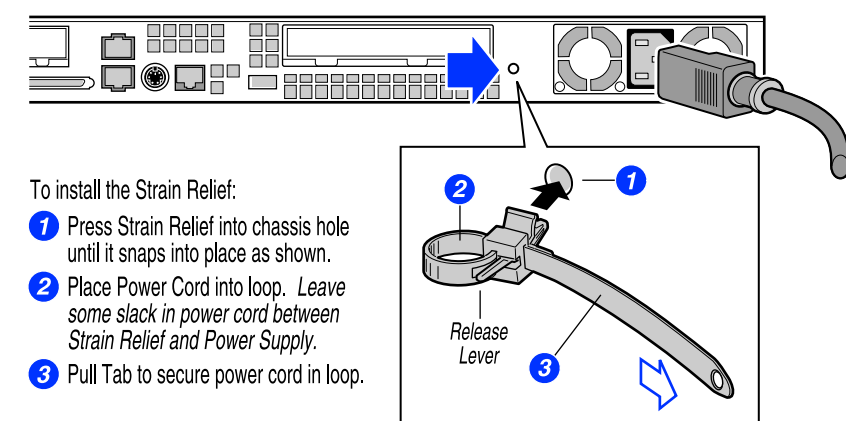
- Before installing your operating system, you must finish your chassis installation and connect back panel I/O connectors and AC power.
- Replace the chassis cover.
  - See your chassis documentation to complete rack or pedestal installation.
  - Connect your keyboard, mouse, video and other I/O cables as shown. Then connect AC Power cable.
- CAUTION:** This unit must be operated with the TOP COVER installed to ensure proper cooling.

## 22 Front Panel Controls and Indicators



Replace Bezel when system installation/configuration is complete.

## 21 Installing Power Cord Strain Relief



- To install the Strain Relief:
- Press Strain Relief into chassis hole until it snaps into place as shown.
  - Place Power Cord into loop. Leave some slack in power cord between Strain Relief and Power Supply.
  - Pull Tab to secure power cord in loop.