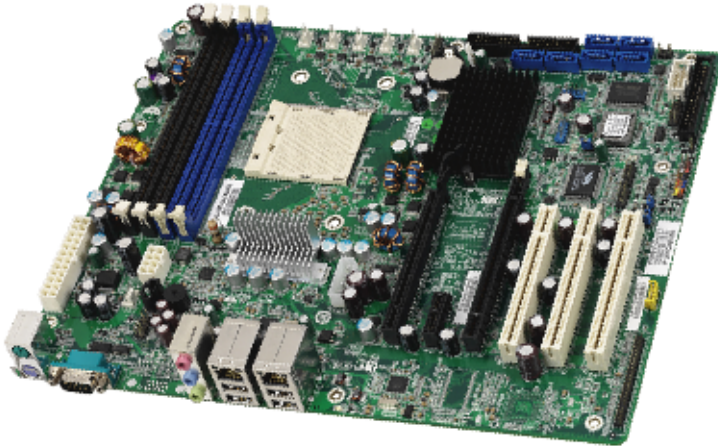


## Workstation Solution



### Tomcat n3400B

S2925-E



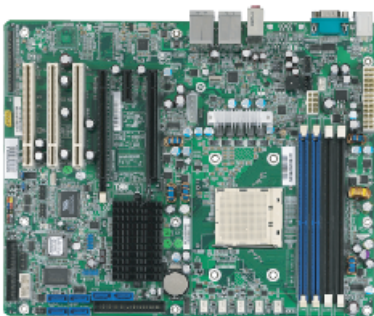
#### Entry workstation/ server platform in ATX form factor

- Single micro-PGA 940-pin socket supports (1) AMD Opteron™ Quad-Core/ Dual-Core 1000/1300 Series Processor (Socket AM2)
- Support AMD Dual Dynamic Power Management (DDPM) feature
- nVIDIA nForce® Professional 3400 (NFP 3400)
- (4) 240-pin DDR2 DIMM slots support up to 8GB DDR2 800/667/533 w/ ECC or non-ECC memory
- (1) PCI-E x16 slot
- (1) PCI-E x16 slot (w/ x8 link)
- (1) PCI-E x1 slot
- (3) PCI 32/33MHz slots
- XGI Volari™ Z7 w/ 16MB video frame buffer memory
- (6) SATA-II ports w/ RAID 0, 1, 5, 10 support
- (1) ATA IDE slot supports up to (2) IDE devices
- (2) GbE LAN

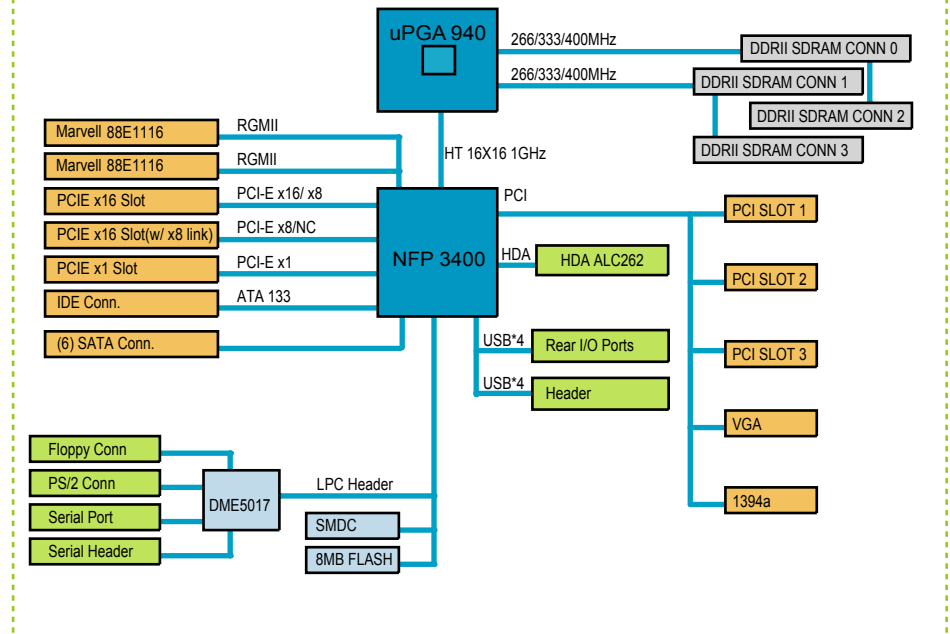
# Thunder n3400B

S2925-E

## TOP View



## Block Diagram



## S P E C I F I C A T I O N S

### Processors

- Single micro-PGA 940-pin AM2 socket
- Support (1) AMD Opteron™ Quad-Core/Dual-Core 1000/1300 series processor
- Support AMD Dual Dynamic Power Management (DDPM) feature

### Chipset

- nVIDIA nForce® Professional 3400
- SMSC DME5017

### Memory

- Dual-channel memory bus
- (4) 240-pin DDR2 DIMM slots
- Support up to 8GB DDR2 800/667/533 w/ ECC or non-ECC memory

### Expansion Slots

- (1) PCI-E x16 slot
- (1) PCI-E x16 slot (w/ x8 link)
- (1) PCI-E x1 slot
- (3) PCI 32/33MHz slot

### Back Panel I/O Ports

- (1) Floppy connector
- (4) USB v2.0 headers
- (1) 9-pin COM header
- (1) ID LED pin header
- (1) TYAN® 2 x 9-pin TYFP header
- (1) TYAN® 2 x 6-pin TYFP2 header

### System Management

- SMSC DME5017 w/ hardware monitoring
- (6) 4-pin FAN header

- Temperature and voltage monitoring
- Watchdog timer
- Port 80 code display LED

### Integrated 2D/3D PCI Graphics

- XGI® Volari™ Z7 graphic controller
- PCI interface
- 16MB DDR video frame buffer memory

### Integrated Serial ATA II Controller

- SATA-II controller integrated in NFP 3400
- (6) SATA-II ports w/ RAID 0, 1, 5, 10 support

### Integrated PCI IDE

- (1) ATA IDE slot for two IDE devices
- Support for ATA-133/100/66/33 IDE drives and ATAPI compliant devices

### Integrated LAN controllers

- Marvell 88E1116-CAA GbE PHY
- (2) 10/100/1000 LAN ports

### Integrated Audio

- Realtek ALC262 audio CODEC
- HDA 2.0 specification complaint
- 2 x 5-pin header for front panel audio connector
- CD-in connector

### Integrated PCI 1394

- Co-layout with VIA VT6307 and VT6308 PCI FireWire (IEEE1394) controller
- (2) IEEE1394 ports (via cable)

### BIOS

- AMI BIOS?8Mbit Flash

- Supports ACPI 1.0
- PnP, DMI2.0, WfM2.0 Power Management

### Power

- ATX12V support, On board 4-phase VRD
- Universal 24-pin + 8-pin power connectors
- 4-pin auxiliary power connector

### Form Factor

- ATX footprint, 12" x 9.6" (305mm x 244mm)

### Regulatory

- FCC Class B (Declaration of Conformity)
- CE (Declaration of Conformity)

### System Management

- Modular 2x25-pin header for SMDC support
- Optional TYAN M3291 SMDC
- IPMI v2.0 compliant

### Back Panel I/O Ports

- (1) stacked PS/2 connectors for mouse and keyboard
- (1) DB-9 serial port
- (1) D-sub VGA port
- (2) stacked 2-port USB 2.0 and 1-port RJ-45 connectors
- (3) audio jacks(from bottom: line out<green>, line in<blue>, MIC<pink>)

**MITAC INTERNATIONAL CORP.**  
TYAN® Business Unit

USA  
Tel: +1-510-651-8868  
Fax: +1-510-651-7688

Taiwan  
Tel: +886-2-8751-2200  
Fax: +886-2-8751-2211

Netherlands  
Tel: +31-10-2467722  
Fax: +31-10-4735881

China  
Shanghai Tel : +86-21-61431188  
Beijing Tel : +86-010-62381108

Japan  
Tel: +81-3-3769-8311  
Fax: +81-3-3769-8328