

Monitor—VGA

National Semiconductor
System Brief 114
June 1990

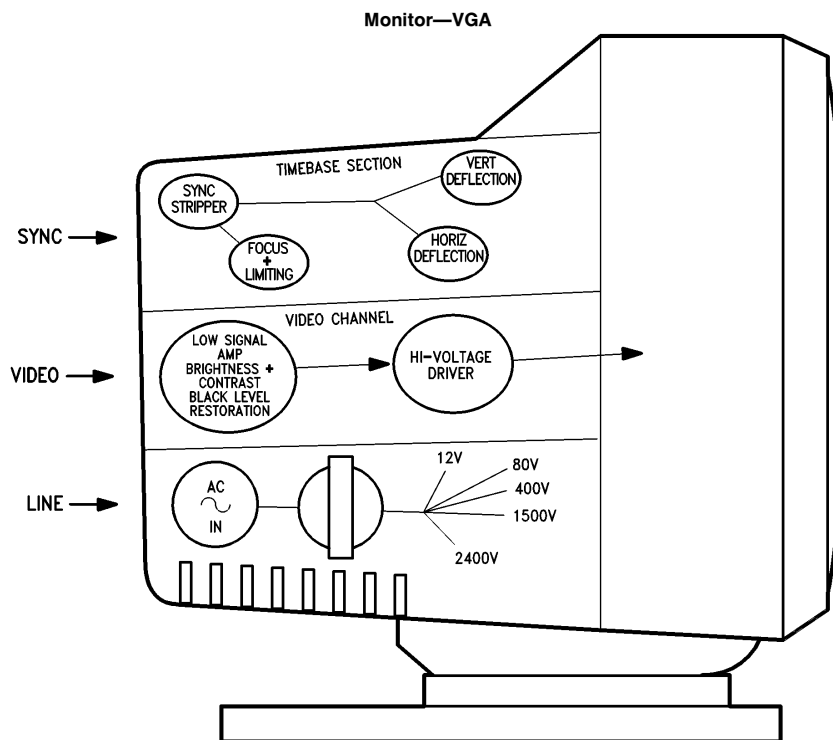


Monitor—VGA

SYSTEM DESCRIPTION

The typical VGA (Video Graphics Array) monitor is composed of three key sections: Video, Timebase, and Power. The Video Section receives the signal from the monitor cable and amplifies it to a 50–60 V_{p-p} grad running at 50 MHz to drive the electron gun. At the same time, it manages Brightness Control—“How white is white?”; Contrast Control—AC gain control that sets the difference between white and black; Blanking—making sure the gun is turned off between each line drawn; and finally, DC Restoration—the feedback signal to ensure the black level remains consistent. In the Timebase Section, or deflection processor section, all activities in the monitor are synchronized.

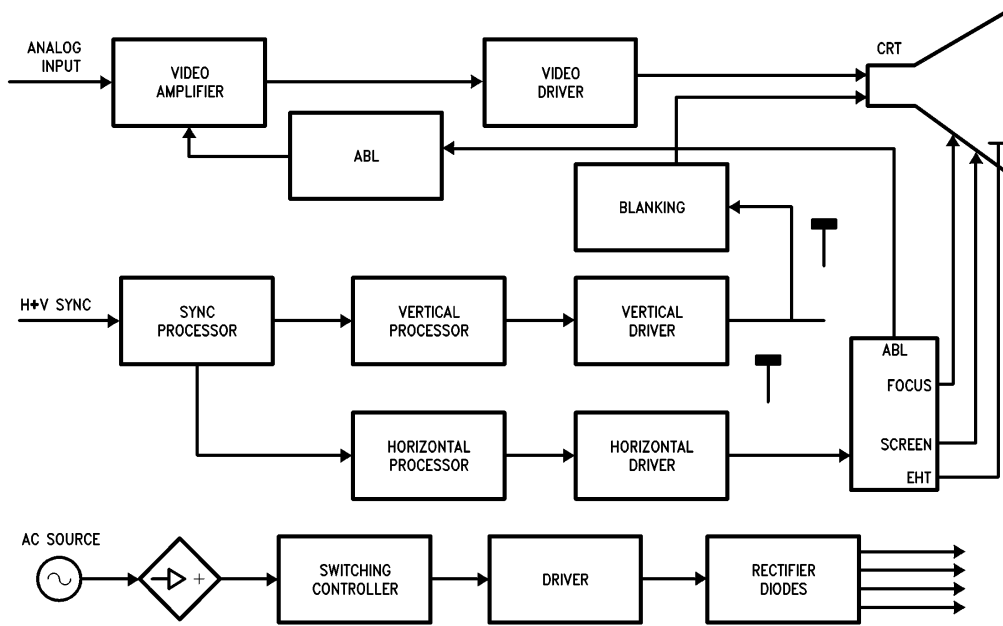
These activities include Sync Recognition and Stripper—where sync pulses can appear as sync-on-green or separate H and V, Focus and Limiting. Also handled are Horizontal Deflection—to generate a high (1500V) voltage ramp to induce a magnetic field which aims the electron gun, and also, Vertical Deflection—similar in function to Horizontal Deflection but at a couple of hundred volts only. The final section, Power Supply, must provide between 30W–100W of power and also supply a series of voltages from 5V for the silicon, to 2 kV for the high voltage grid to accelerate the electrons in the gun.



TL/F/11007-1

SB-114

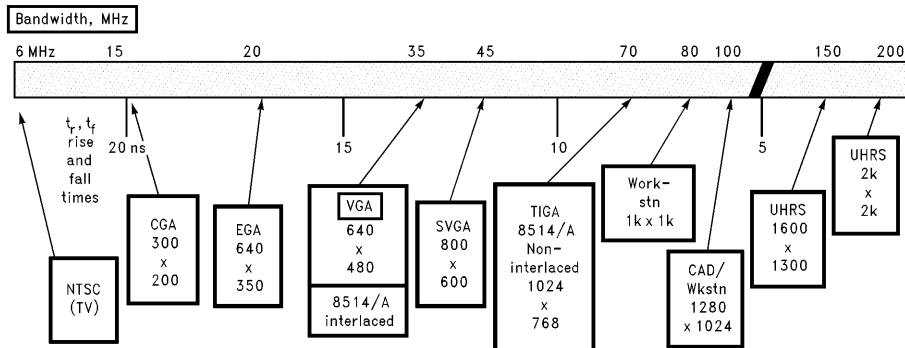
Block Diagram of VGA Monitor



TL/F/11007-2

Video Standards Video Speedometer of Monitor Solutions

Mono	LM1201 + DISCRETES	LM1201 + LM24xx (future)	LH 2440	LH 2440A	1201 + LH 2424
Color	LM1203 + DISCRETES	LM1203 + LM2416	LM1203 + LH2426	3X 1201 + 2426	3X 1201 + 3X 3424



TL/F/11007-3

CHALLENGES—MONITOR

1. Typical discrete design using the cascaded output approach can be unreliable.
2. Size and weight limit considerations for the board when placed in the neck of the tube.
3. EMD radiation interference and FCC regulations concerning VDT boxes.
4. t_r , t_f limitations of rise and fall times.

KEY COMPONENTS

LM1203—video amplifier for excellent brightness matching, wide contrast range, and less interconnections.
 LM1881—sync processor strips sync from video and provides for DC restoration.
 LM1391—horizontal processor provides synchronized signal for horizontal output.
 LM2416—video driver is a triple CRT driver at 50 MHz.
 Hybrid driver solution reduces the power per channel, the number of components on the board, provides symmetrical rise and fall times, and also reduces EMD.

Function	Description	NSC Part	Other	Qty
RGB Video Amplifier	Video Amplifier	LM1203	✓ ✓	1 or, 1 or, 1
Video Driver	CRT Driver or Discrete	LH2426 or LM2416	✓ ✓ ✓	1 or, 1 or, 3 or, 3 or, 3
Sync Processor	Linear Logic	LA1881 CD4052		1 1
Horizontal Processor	Linear	LM1391	✓ ✓	1 or, 1 or, 1
Vertical Processor	Linear		✓ ✓	1 or, 1
Horizontal + Vertical Processor	Linear Deflector		✓	1
Horizontal Driver	Discrete		✓ ✓	1
Vertical Driver	Linear Discrete	LM675	✓	1 or, 1
Blanking	Discrete	TO-92 Diode		2 2
ABL	Discrete	TO-92 Diode		2 2
Switching Controller	Linear	LM494	✓	1 or, 1
Rectifier Diode	Discrete	FRPXXX		8

LIFE SUPPORT POLICY

NATIONAL'S PRODUCTS ARE NOT AUTHORIZED FOR USE AS CRITICAL COMPONENTS IN LIFE SUPPORT DEVICES OR SYSTEMS WITHOUT THE EXPRESS WRITTEN APPROVAL OF THE PRESIDENT OF NATIONAL SEMICONDUCTOR CORPORATION. As used herein:

- 1. Life support devices or systems are devices or systems which, (a) are intended for surgical implant into the body, or (b) support or sustain life, and whose failure to perform, when properly used in accordance with instructions for use provided in the labeling, can be reasonably expected to result in a significant injury to the user.
- 2. A critical component is any component of a life support device or system whose failure to perform can be reasonably expected to cause the failure of the life support device or system, or to affect its safety or effectiveness.



National Semiconductor Corporation
 1111 West Bardin Road
 Arlington, TX 76017
 Tel: 1(800) 272-9959
 Fax: 1(800) 737-7018

National Semiconductor Europe
 Fax: (+49) 0-180-530 85 86
 Email: onjwge@tevm2.nsc.com
 Deutsch Tel: (+49) 0-180-530 85 85
 English Tel: (+49) 0-180-532 78 32
 Français Tel: (+49) 0-180-532 93 58
 Italiano Tel: (+49) 0-180-534 16 80

National Semiconductor Hong Kong Ltd.
 19th Floor, Straight Block,
 Ocean Centre, 5 Canton Rd.
 Tsimshatsui, Kowloon
 Hong Kong
 Tel: (852) 2737-1600
 Fax: (852) 2736-9960

National Semiconductor Japan Ltd.
 Tel: 81-043-299-2309
 Fax: 81-043-299-2408

National does not assume any responsibility for use of any circuitry described, no circuit patent licenses are implied and National reserves the right at any time without notice to change said circuitry and specifications.