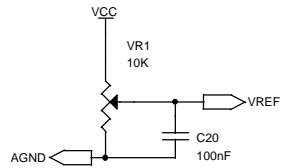
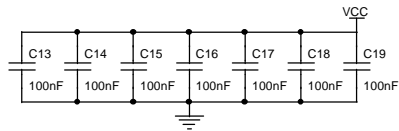


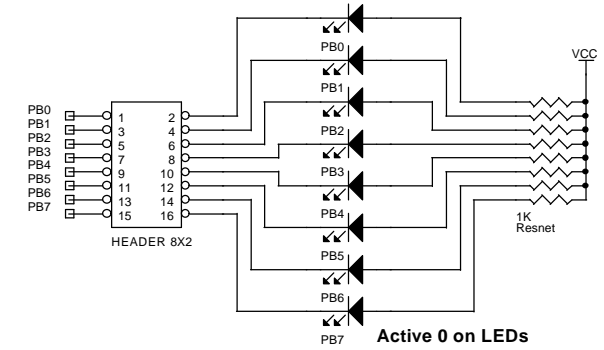
Analogue Reference



Decoupling Capacitors

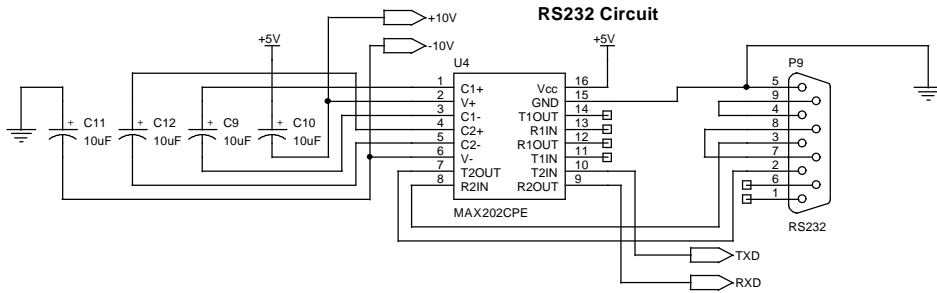


Lights and Switches



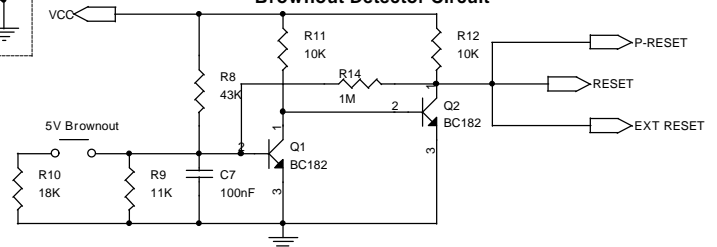
Active 0 on LEDs

RS232 Circuit

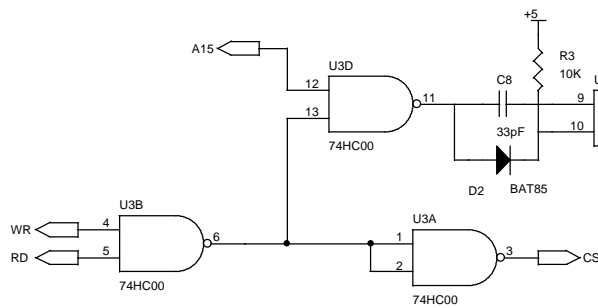


Active 0 on Switches

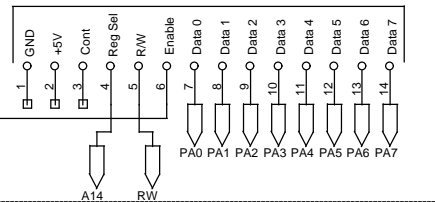
Brownout Detector Circuit



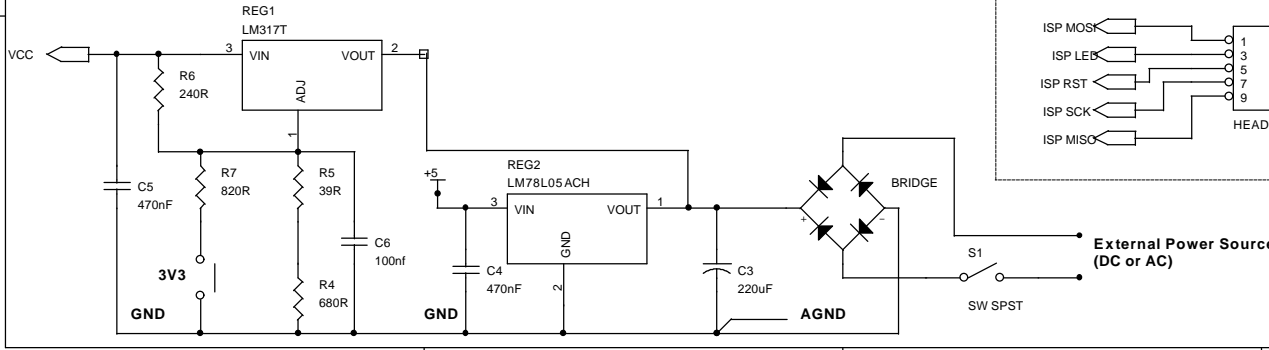
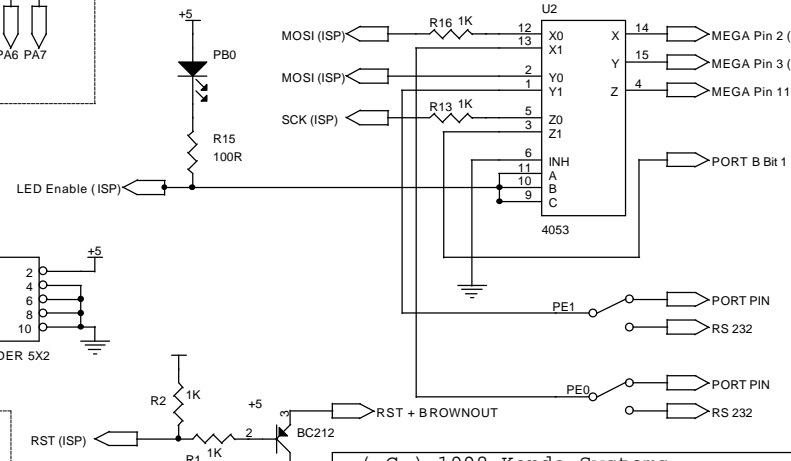
LCD Timing Circuit



LCD Interface



Programming Interface



External Power Source (DC or AC)

(C) 1998 Kanda Systems		
Avr Starter Kit (Support Circuits)		
Size B	Document Number STK300	Rev 1.0
Date:	Friday, August 14, 1998	Sheet 1 of 1